

# VEGABAR 51

## 4 ... 20 mA/HART

### Pressure transmitter with isolating diaphragm



#### Application area

The VEGABAR 51 is a pressure transmitter with isolating diaphragm for pressure and level measurement of highly corrosive and hot liquids.

#### Advantages

- Unaffected by foam generation and tank installations
- High chemical resistance due to suitable diaphragm materials
- Large variety of process fittings
- Product temperature up to 400 °C (752 °F)

#### Function

The existing process pressure applies pressure to the sensor element via the process diaphragm and the isolating liquid. This signal is recorded electronically and converted into a respective output signal.

#### Technical data

Measuring ranges	-1 ... 400 bar (-14.5 ... 5802 psig)
Smallest measuring range	0.1 bar (1.45 psig)
Deviation	< 0.2 %
Process fitting	Thread from 1/2", flanges from DN 25
Process temperature	-40 ... +400 °C (-40 ... +752 °F)
Ambient, storage and transport temperature	-40 ... +80 °C (-40 ... +176 °F)
Operating voltage	
– Measuring ranges < 100 bar	12 ... 36 V DC
– Measuring ranges ≥ 100 bar	14 ... 36 V DC

#### Materials

The process fitting is made of stainless steel 316L. The process diaphragm is available in 316L and in the high resistance materials Hastelloy C276, Tantalum as well as PTFE on 316Ti.

You can find a complete overview of the available materials and seals in the "configurator" on our homepage at [www.vega.com/configurator](http://www.vega.com/configurator).

#### Housing versions

The housings are available as single chamber or double chamber version in plastic, stainless steel or aluminium.

They are available in protection ratings up to IP 68 (25 bar) with external electronics.

#### Electronics versions

The instruments are available in different electronics versions. Apart from the two-wire electronics with 4 ... 20 mA or 4 ... 20 mA/HART, two purely digital versions with Profibus PA and Foundation Fieldbus are available.

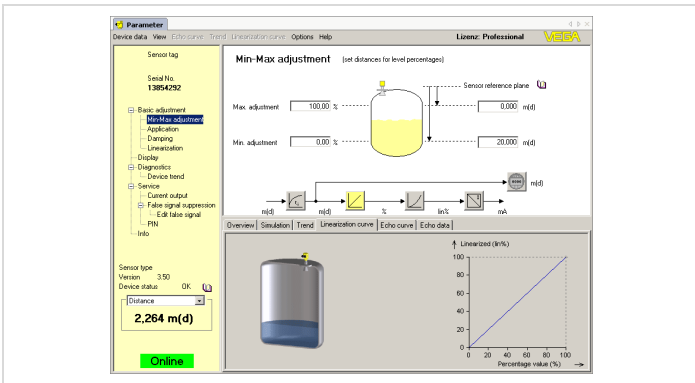
#### Approvals

The instruments are suitable for use in hazardous areas and are approved e.g. according to ATEX and IEC. The instruments have also different ship approvals such as e.g. GL, LRS or ABS.

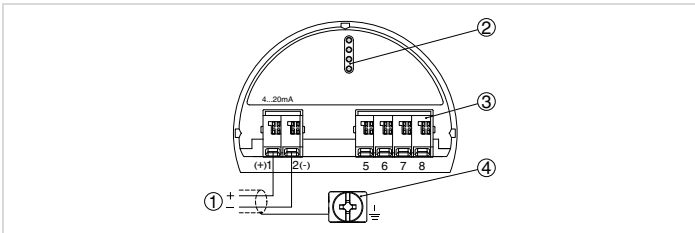
You can find detailed information on the existing approvals in the "configurator" on our homepage under [www.vega.com/configurator](http://www.vega.com/configurator).

## Operation

The adjustment of the instrument is carried out via the optional indicating and adjustment module PLICSCOM or via a PC with the adjustment software PACTware and respective DTM. Further adjustment options are available via HART communicator as well as manufacturer-specific programs such as AMS™ or PDM.



## Electrical connection

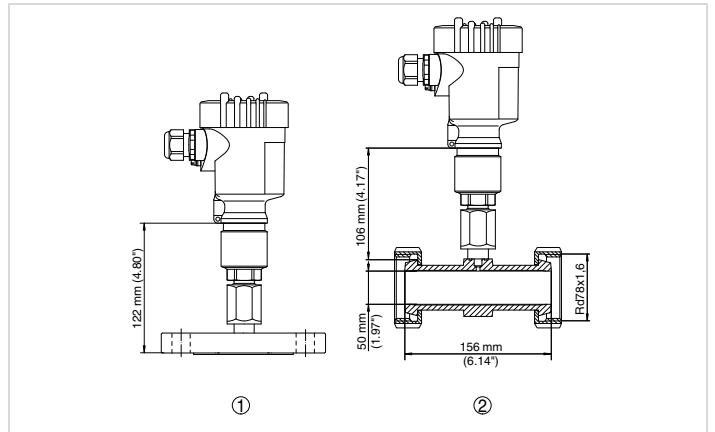


Electronics and connection compartment, single chamber housing

- 1 Voltage supply/Signal output
- 2 For indicating and adjustment module or interface adapter
- 3 For external indicating and adjustment unit
- 4 Ground terminal for connection of the cable screen

You can find details on the electrical connection in the operating instructions of the instruments on our homepage under [www.vega.com/downloads](http://www.vega.com/downloads).

## Dimensions



Dimensions VEGABAR 51

- 1 Flange version
- 2 Version with tube isolating diaphragm

## Information

You can find further information about the VEGA product line on our homepage [www.vega.com](http://www.vega.com).  
 In the download section under [www.vega.com/downloads](http://www.vega.com/downloads) you'll find free operating instructions, product information, brochures, approval documents, instrument drawings and much, much more.  
 There, you will also find GSD and EDD files for Profibus PA systems as well as DD and CFF files for Foundation Fieldbus systems.

## Device selection

With the "finder" you can select the measuring principle best suiting your application: [www.vega.com/finder](http://www.vega.com/finder).  
 You can find detailed information on the instrument versions in the "configurator" on our homepage under [www.vega.com/configurator](http://www.vega.com/configurator).

## Contact

You can find the VEGA agency serving your area on our homepage [www.vega.com](http://www.vega.com).