

# VEGABAR 66

4 ... 20 mA/HART

## Suspension pressure transmitter with CERTEC® measuring cell



### Application area

The VEGABAR 66 is a suspension pressure transmitter for level measurement in wells, basins and open vessels. For deployment in closed vessels with superimposed pressure, the instrument is available with absolute pressure measuring ranges.

### Advantages

- Dry, ceramic-capacitive sensor element
- Moulded cable assembly with internal capillaries
- Deviation < 0.1 %
- High overload resistance
- Self-cleaning effect thanks to front-flushness

### Function

The sensor element is the CERTEC® measuring cell with flush, abrasion resistant ceramic diaphragm. The hydrostatic pressure of the medium or the process pressure causes a capacitance change in the measuring cell via the diaphragm. This change is converted into an appropriate output signal and outputted as measured value.

The CERTEC® measuring cell is also equipped with a temperature sensor. The temperature value can be displayed via the indicating and adjustment module or processed via the signal output.

### Technical data

Measuring ranges	-1 ... 25 bar (-14.5 ... 363 psig)
Smallest measuring range	0.1 bar (1.45 psig)
Deviation	< 0.2 %, optionally < 0.075 %
Process fitting	Straining clamp, threaded fitting G1½ A, thread G1½ A
Process temperature	-40 ... +100 °C (-40 ... +212 °F)
Ambient, storage and transport temperature	-40 ... +80 °C (-40 ... +176 °F)
Operating voltage	12 ... 36 V DC

### Materials

The transmitter of the instrument is made of 316L or PVDF. The process seal consists of FKM, FFKM or EPDM, the suspension cable of PE, PUR or FEP.

You can find a complete overview of the available materials and seals in the "configurator" on our homepage at [www.vega.com/configurator](http://www.vega.com/configurator).

### Housing versions

The housings are available as single chamber or double chamber version in plastic, stainless steel or aluminium.

They are available in protection ratings up to IP 68 (25 bar) with external electronics.

### Electronics versions

The instruments are available in different electronics versions. Apart from the two-wire electronics with 4 ... 20 mA/HART, also two purely digital versions with Profibus PA and Foundation Fieldbus are possible.

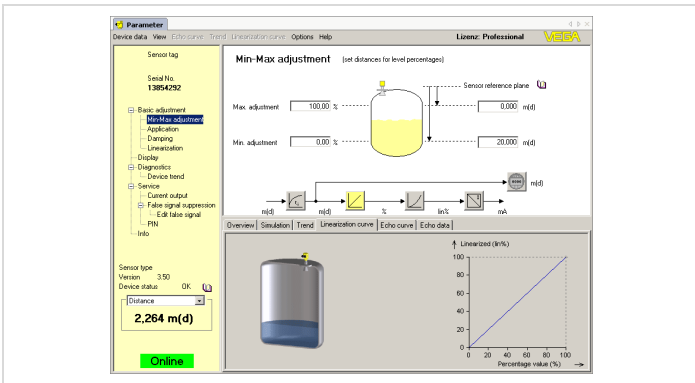
### Approvals

The instruments are suitable for use in hazardous areas and are approved e.g. according to ATEX and IEC. The instruments have also different ship approvals such as e.g. GL, LRS or ABS.

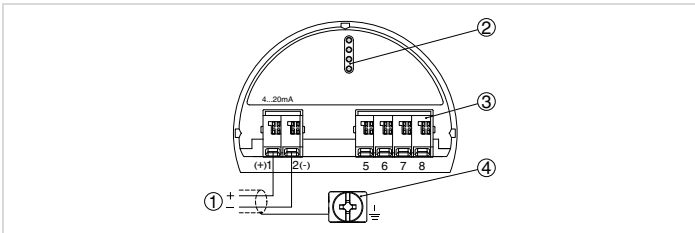
You can find detailed information on the existing approvals in the "configurator" on our homepage under [www.vega.com/configurator](http://www.vega.com/configurator).

## Operation

The adjustment of the instrument is carried out via the optional indicating and adjustment module PLICSCOM or via a PC with the adjustment software PACTware and respective DTM. Further adjustment options are available via HART communicator as well as manufacturer-specific programs such as AMS™ or PDM.



## Electrical connection

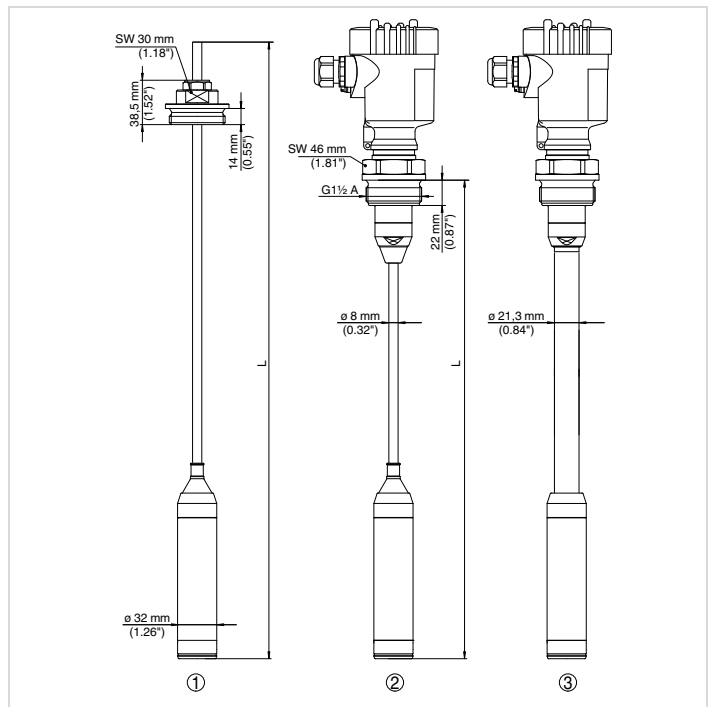


Electronics and connection compartment, single chamber housing

- 1 Voltage supply/Signal output
- 2 For indicating and adjustment module or interface adapter
- 3 For external indicating and adjustment unit
- 4 Ground terminal for connection of the cable screen

You can find details on the electrical connection in the operating instructions of the instruments on our homepage under [www.vega.com/downloads](http://www.vega.com/downloads).

## Dimensions



Dimensions VEGABAR 66

- 1 Version with threaded fitting, unassembled G1 1/2 A
- 2 Threaded version G1 1/2 A, suspension cable
- 3 Threaded version G1 1/2 A, connection tube

## Information

You can find further information about the VEGA product line on our homepage [www.vega.com](http://www.vega.com). In the download section under [www.vega.com/downloads](http://www.vega.com/downloads) you'll find free operating instructions, product information, brochures, approval documents, instrument drawings and much, much more. There, you will also find GSD and EDD files for Profibus PA systems as well as DD and CFF files for Foundation Fieldbus systems.

## Device selection

With the "finder" you can select the measuring principle best suiting your application: [www.vega.com/finder](http://www.vega.com/finder).

You can find detailed information on the instrument versions in the "configurator" on our homepage under [www.vega.com/configurator](http://www.vega.com/configurator).

## Contact

You can find the VEGA agency serving your area on our homepage [www.vega.com](http://www.vega.com).