

VEGABAR 67

4 ... 20 mA/HART

Pressure transmitter with front-flush metal diaphragm



Application area

The VEGABAR 67 is a suspension pressure transmitter for level measurement in wells, basins and open vessels. The instrument with absolute pressure measuring ranges is available in closed vessels with super-imposed pressure.

Advantages

- Front-flush, metal diaphragm
- Good cleanability and high vacuum resistance
- High chemical resistance
- Deviation < 0.075 %
- Small measuring ranges up to 0.1 bar

Function

The METEC® measuring cell is used as sensor element. It consists of the ceramic-capacitive CERTEC® measuring cell as well as a temperature-compensated isolating system. The hydrostatic pressure of the medium or the process pressure cause a capacitance change in the measuring cell via the metal process diaphragm and the isolating liquid. This change is converted into a respective output signal.

Technical data

Measuring ranges	-1 ... 25 bar (-14.5 ... 363 psig)
Smallest measuring range	0.1 bar (1.45 psig)
Deviation	< 0.075 %
Process fitting	Straining clamp, threaded fitting G1½ A, thread G1½ A
Process temperature	-12 ... +100 °C (-10 ... +212 °F)
Ambient, storage and transport temperature	-40 ... +80 °C (-40 ... +176 °F)
Operating voltage	12 ... 36 V DC

Materials

The transmitter of the instrument is made of 316L. The process diaphragm consists of Hastelloy C276, the suspension cable of FEP. You can find a complete overview of the available materials and seals in the "configurator" on our homepage at www.vega.com/configurator.

Housing versions

The housings are available as single chamber or double chamber version in plastic, stainless steel or aluminium. They are available in protection classes up to IP 68 (25 bar).

Electronics versions

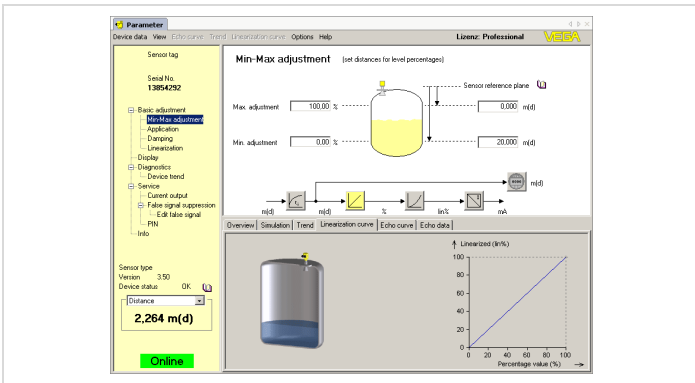
The instruments are available in different electronics versions. Apart from the two-wire electronics with 4 ... 20 mA/HART, a four-wire version and two purely digital versions with Profibus PA and Foundation Fieldbus are possible.

Approvals

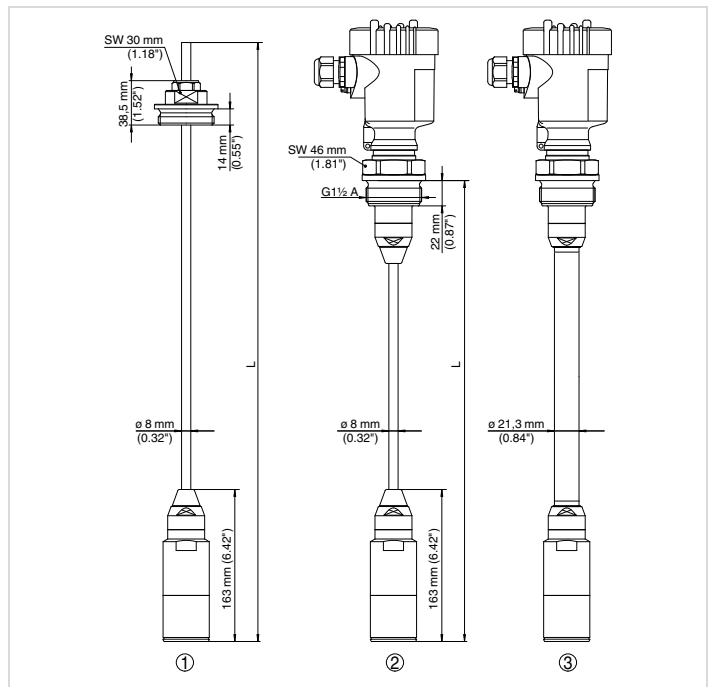
The instruments are suitable for use in hazardous areas and are approved e.g. according to ATEX, FM, CSA and IEC. The instruments have also different ship approvals such as e.g. GL, LRS or ABS. You can find detailed information on the existing approvals in the "configurator" on our homepage under www.vega.com/configurator.

Operation

The adjustment of the instrument is carried out via the optional indicating and adjustment module PLICSCOM or via a PC with the adjustment software PACTware and respective DTM. Further adjustment options are available via HART communicator as well as manufacturer-specific programs such as AMS™ or PDM.



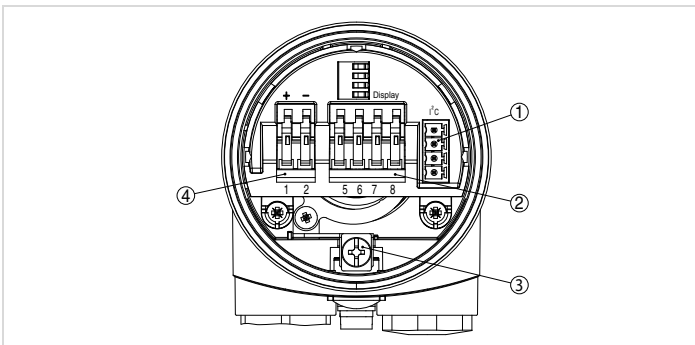
Dimensions



Dimensions VEGABAR 67

- 1 Threaded fitting, unassembled G1½ A
- 2 Thread G1½ A and housing, suspension cable
- 3 Thread G1½ A and housing, connection tube

Electrical connection



Electronics and connection compartment, single chamber housing

- 1 Plug connector for VEGACONNECT (I²C interface)
- 2 Spring-loaded terminals for connection of the external indication VEGADIS 61
- 3 Ground terminal for connection of the cable screen
- 4 Spring-loaded terminals for voltage supply and signal output

You can find details on the electrical connection in the operating instructions of the instruments on our homepage under www.vega.com/downloads.

Information

You can find further information about the VEGA product line on our homepage www.vega.com. You can find free-of-charge operating instructions, product information, brochures, approval documents, instrument drawings, etc. in the download section under www.vega.com/downloads. There, you will also find GSD and EDD files for Profibus PA systems as well as DD and CFF files for Foundation Fieldbus systems.

Device selection

With the "finder" you can select the measuring principle suiting your application: www.vega.com/finder. You can find detailed information on the instrument versions in the "configurator" on our homepage under www.vega.com/configurator.

Contact

You can find the VEGA agency serving your area on our homepage www.vega.com.