

VEGADIF 65

4 ... 20 mA/HART

Differential pressure transmitter



Application area

The differential pressure transmitter VEGADIF 65 is used for various applications such as differential pressure measurements of filters and pumps as well as level measurements in pressurized vessels. Through the precise measuring cell grading and low deviation flow, density and interface measurements can be realised.

The instruments can be equipped optionally with unilateral or bilateral isolating diaphragms of high resistance materials and is hence also suitable for corrosive media and high process temperatures.

Advantages

- Very good reproducibility and long-term stability
- Deviation < 0.075 %
- High resistance diaphragm materials
- Product temperature up to 400 °C

Function

The process diaphragms of the sensors are deflected by the existing pressures. The filling oil transmits the pressure to a semiconductor measuring bridge, the differential pressure dependent output signal of which is measured and further processed.

Technical data

Measuring ranges	0.01 ... 40 bar (0.145 ... 580.2 psig)
Smallest adjustable span	0.25 mbar (0.036 psig)
Deviation	< 0.075 %
Process fitting - basic version	NPT ¼-18 according to IEC 61518
Process fitting of isolating diaphragms	Flanges from DN 32 or 2", hygienic fittings from DN 32 or 2"
Process temperature - basic version	-40 ... +85 °C (-40 ... +185 °F)
Process temperature with isolating diaphragms	-40 ... +400 °C (-40 ... +752 °F)
Process pressure	-1 ... +420 bar (-14.5 ... +6092 psig)
Ambient, storage and transport temperature	-40 ... +80 °C (-40 ... +176 °F)
Operating voltage	12 ... 36 V DC

Materials

The process fitting is made of steel C22.8, Hastelloy or stainless steel 316L. The process diaphragm is available in 316L and high resistance materials Hastelloy C276, Monel, Tantalum as well as Rhodium/Gold on 316L.

You can find a complete overview of the available materials and seals in the "configurator" on our homepage at www.vega.com/configurator.

Housing versions

The housings are available as single chamber or double chamber version in plastic, stainless steel or aluminium. They are available with external electronics in protection rating up to IP 68 (25 bar).

Electronics versions

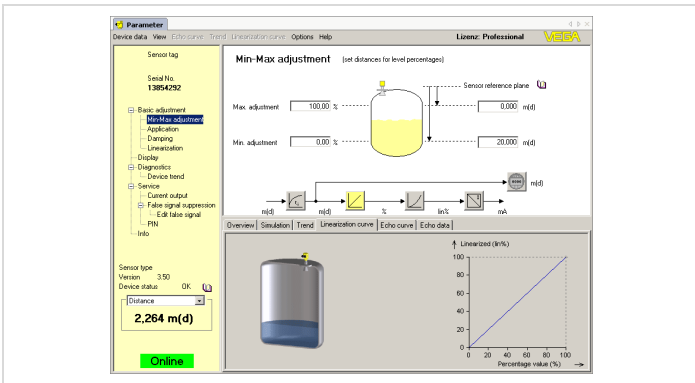
The instruments are available in different electronics versions. Apart from the two-wire electronics with 4 ... 20 mA or 4 ... 20 mA/HART, two purely digital versions with Profibus PA and Foundation Fieldbus are available.

Approvals

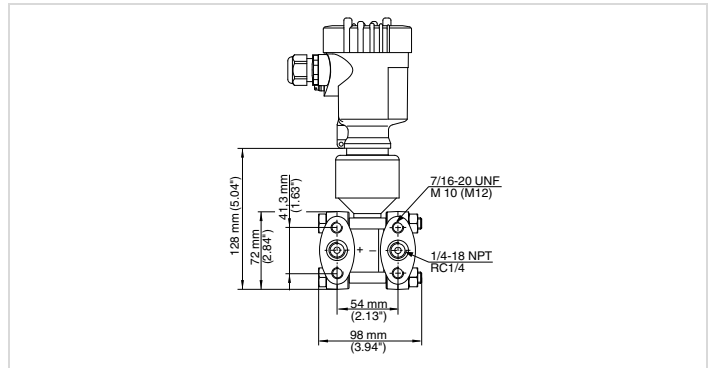
The instruments are suitable for use in hazardous areas and are approved, for example, according to ATEX and IEC. You can find detailed information on the existing approvals in the "configurator" on our homepage under www.vega.com/configurator.

Operation

The adjustment of the instrument is carried out via the optional indicating and adjustment module PLICSCOM or via a PC with the adjustment software PACTware and respective DTM. Further adjustment options are available via HART communicator as well as manufacturer-specific programs such as AMS™ or PDM.



Dimensions



Dimensions VEGADIF 65 in basic version

Information

You can find further information about the VEGA product line on our homepage www.vega.com.
 You can find free-of-charge operating instructions, product information, brochures, approval documents, instrument drawings, etc. in the download section under www.vega.com/downloads.
 There, you will also find GSD and EDD files for Profibus PA systems as well as DD and CFF files for Foundation Fieldbus systems.

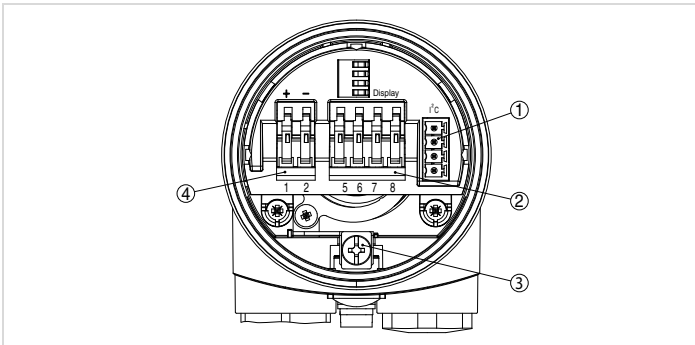
Device selection

With the "finder" you can select the measuring principle best suiting your application: www.vega.com/finder.
 You can find detailed information on the instrument versions in the "configurator" on our homepage under www.vega.com/configurator.

Contact

You can find the VEGA agency serving your area on our homepage www.vega.com.

Electrical connection



Electronics and connection compartment, single chamber housing

- 1 Plug connector for VEGACONNECT (I²C interface)
- 2 Spring-loaded terminals for connection of the external indication VEGADIS 61
- 3 Ground terminal for connection of the cable screen
- 4 Spring-loaded terminals for voltage supply and signal output

You can find details on the electrical connection in the operating instructions of the instruments on our homepage under www.vega.com/downloads.