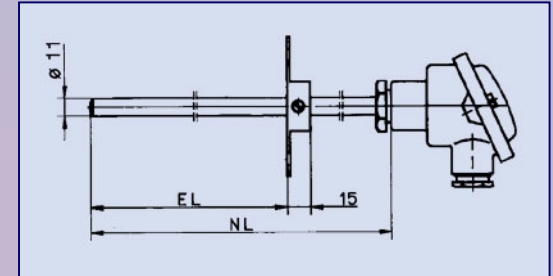


Sensor: 1 x Pt 100 acc. to DIN EN 60-751 in class A or B
 2 x Pt 100 acc. to DIN EN 60-751 in class A or B
 in 2-, 3- oder 4-wire circuit
 - other sensors at customer's option

Resistance thermometers

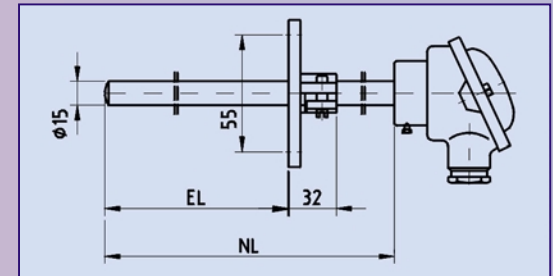
Plug-in resistance thermometer with mounting flange and connection head acc. to DIN 43 729, form B M 24 x 1.5

protective tube	material-no.	built-in length EL in mm
steel St 35.8	1.0305	100 ... 160
		100 ... 250
		100 ... 400
stainless steel X 6 CrNiMoTi 17 12 2	1.4571	



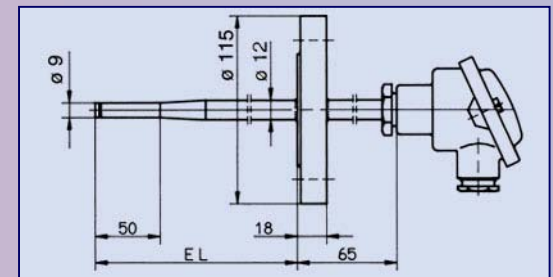
Plug-in resistance thermometer acc. to DIN 43 764, form A, with connection head acc. to DIN 43 729, form B M 24x1.5

protective tube	material-no.	built-in length EL in mm	nominal length EL in mm
stainless steel X 6 CrNiMoTi 17 12 2	1.4571	100 ... 460	500
		100 ... 670	710
		100 ... 960	1000
		100 ... 1360	1400
		100 ... 1960	2000



Plug-in resistance thermometer acc. to DIN 43 771, form F, with connection head acc. to DIN 43 729, form B M 24x1.5 flange C 25 ND 40 DIN 25 01

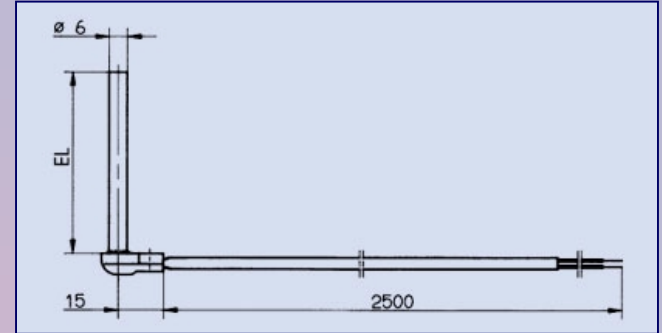
protective tube	material-no.	built-in length EL in mm	form
stainless steel X 6 CrNiMoTi 17 12 2	1.4571	225	F1
		285	F2
		345	F3



Resistance thermometers

Plug-in resistance thermometer with stainless steel braided connection line 0.22 mm²

protective tube	material-no.	built-in length EL in mm
stainless steel X 6 CrNiMoTi 17 12 2	1.4571	60



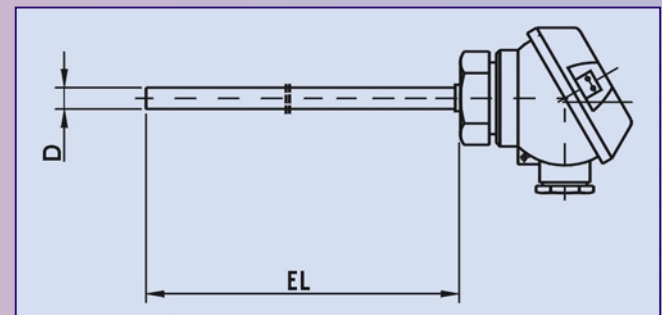
Plug-in resistance thermometer with PVC-insulated connection line 0.22 mm²

protective tube	material-no.	built-in length EL in mm
stainless steel X 6 CrNiMoTi 17 12 2	1.4571	50



Plug-in resistance thermometer with connection head form J

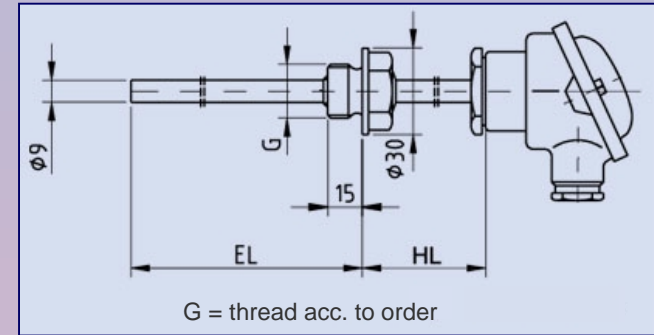
protective tube	material-no.	built-in length EL in mm	diameter
stainless steel X 6 CrNiMoTi 17 12 2	1.4571	105	6
		140	6
		175	6
		230	6
		245	6
		resp. by request	



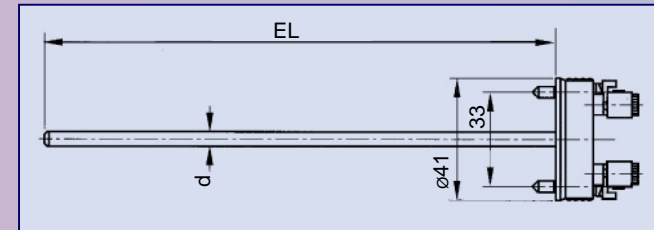
Resistance thermometers

Screw-in resistance thermometer acc. to DIN 43 765, form B with connection head acc. to DIN 43 729, form B M 24x1.5

protective tube	material-no.	built-in length EL in mm
stainless steel X 6 CrNiMoTi 17 12 2	1.4571	160 250 400

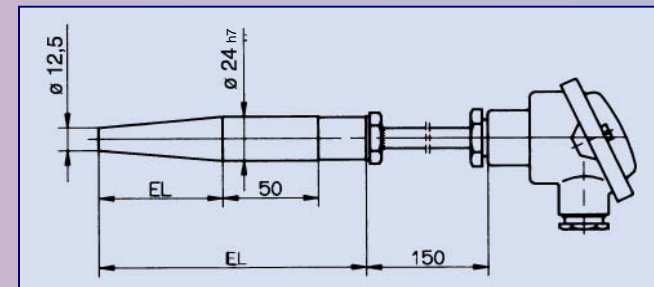


Resistance inserts acc. to DIN 43 762 for screw-in resistance thermometer acc. to DIN 43 765/66



Screw-in resistance thermometer acc. to DIN 43 767, form D with connection head acc. to DIN 43 729, form B M 24 x 1.5

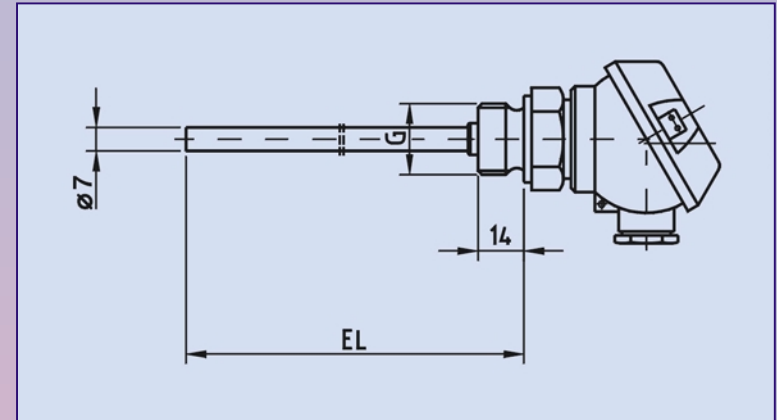
protective tube	material-no.	built-in length EL in mm	form
stainless steel X 6 CrNiMoTi 17 12 2	1.4571	65 125	D1 D2
stainless steel 13 CrMo 44	1.7335	65 125	D1 D2



Resistance thermometers

Screw-in resistance thermometer with connection head form J

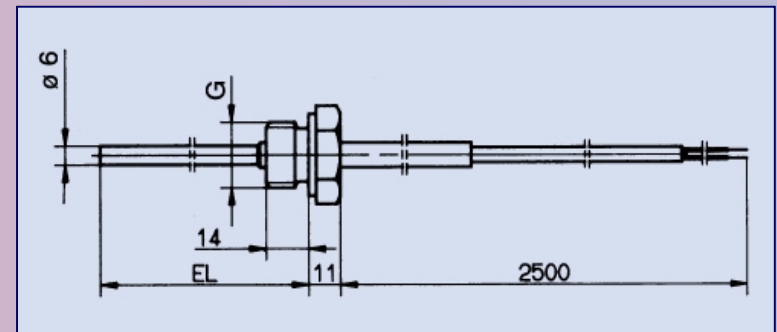
protective tube	material-no.	built-in length EL in mm
brass CuZn 37	2.0321	50 100
stainless steel X 6 CrNiMoTi 17 12 2	1.4571	50 100 150 250



G = thread acc. to order

Screw-in resistance thermometer with silicone insulated connection line 0.22 mm² and bending protection

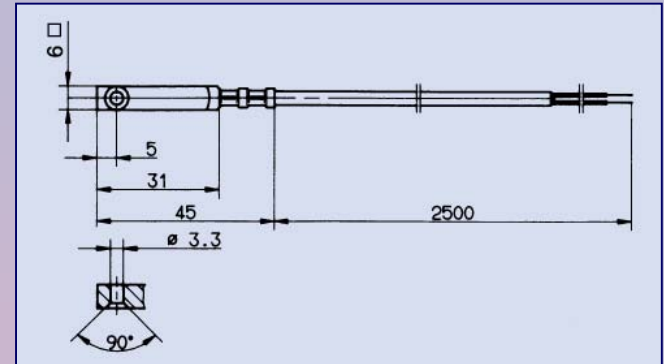
protective tube	material-no.	built-in length EL in mm
stainless steel X 6 CrNiMoTi 17 12 2	1.4571	100 250



Resistance thermometers

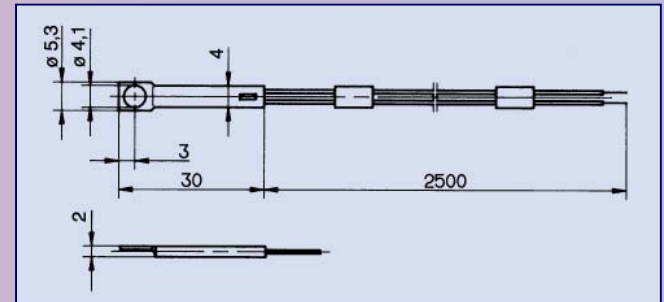
Surface resistance thermometer with attachment bore and teflon insulated connection line 0.22 mm²

protective mounting	material-no.	built-in length EL in mm
aluminium		acc. to order
stainless steel X 6 CrNiMoTi 17 12 2	1.4571	acc. to order



Surface resistance thermometer with attachment bore and teflon insulated single conductors 0.22 mm²

protective mounting	material-no.	built-in length EL in mm
stainless steel X 6 CrNiMoTi 17 12 2	1.4571	acc. to order



Surface resistance thermometer with connection line 0.22 mm²

protective mounting	material-no.	built-in length EL in mm
stainless steel X 6 CrNiMoTi 17 12 2	1.4571	acc. to order

