

Bus system AS-Interface

**AC2516**

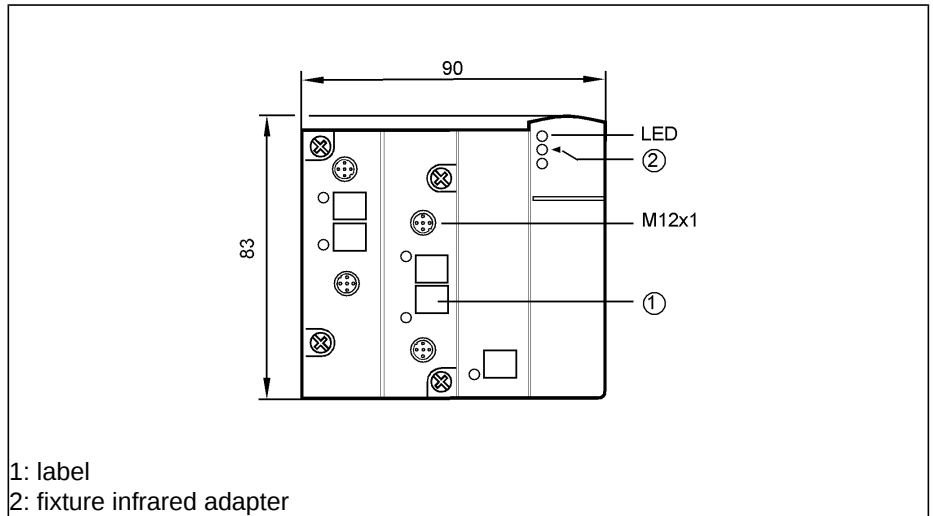
Active ClassicLine module  
ClassicLine 90

AS-i interface to FC/FC-E lower parts  
Sockets M12 x 1

AS-i profile S-7.3

4 analogue inputs 4...20 mA  
IR addressing possible

For the connection of 2-wire, 3-wire or  
4-wire sensors



1: label  
2: fixture infrared adapter

Made in Germany



Electrical design	
Operating voltage	[V]
Current consumption from 24 V DC	[mA]
Total current consumption from AS-i	[mA]
Inputs	
Input circuit	
Sensor supply	
Voltage range	[V]
Short-circuit proof	
Resolution	[Bit]
value range	
A/D conversion	
Internal resistance	
Addressing	
AS-i interface reverse polarity protection	

4 inputs 4...20 mA	
26.5...31.6 DC	
< 80 (ext.); *)	
< 180	
4 inputs 4...20 mA	
AS-i / external	
24 DC ± 20 %	
no	
1µA	
4000...20000 dec.; accuracy 0.5 % of the final value of the measuring range	
1 channel: 20 ms / 2 channels: 120 ms / 3 channels: 180 ms / 4 channels: 240 ms	
50 Ω	
via IR addressing interface or via addressing socket in the lower part (accessory)	
yes	

**AC2516**

Ambient temperature	[°C]	0...70
Storage temperature	[°C]	-20...85
Protection		IP 67
AS-i interface reverse polarity protection		yes
AS-i profile		S-7.3.E
I/O configuration [Hex]		7
ID code [Hex]		3.E
AS-i certificate		in preparation
EMC		EN 50295 EN 61000-6-4 : 2001 EN 61000-6-2 : 2001
Housing materials		PBT
Function display		
Operation	LED	green (indication AS-i voltage / indication ext. 24 V AUX)
Error	LED	red (FAULT: AS-i communication error / periphery fault)
Function	LED	yellow (indication channels AI1...AI4)
Weight	[kg]	0.215
Remarks		When the sensors are supplied from AS-i the load must not exceed 100 mA. *) With external supply of the module, only 80 mA are taken from AS-i. The external supply provides max. 500 mA for the sensors / actuators.

**Wiring**

- 1: Sensor supply +24V
- 2: AI + analogue input
- 3: Sensor supply 0V
- 4: AI - analogue input 0V
- 5: functional earth

