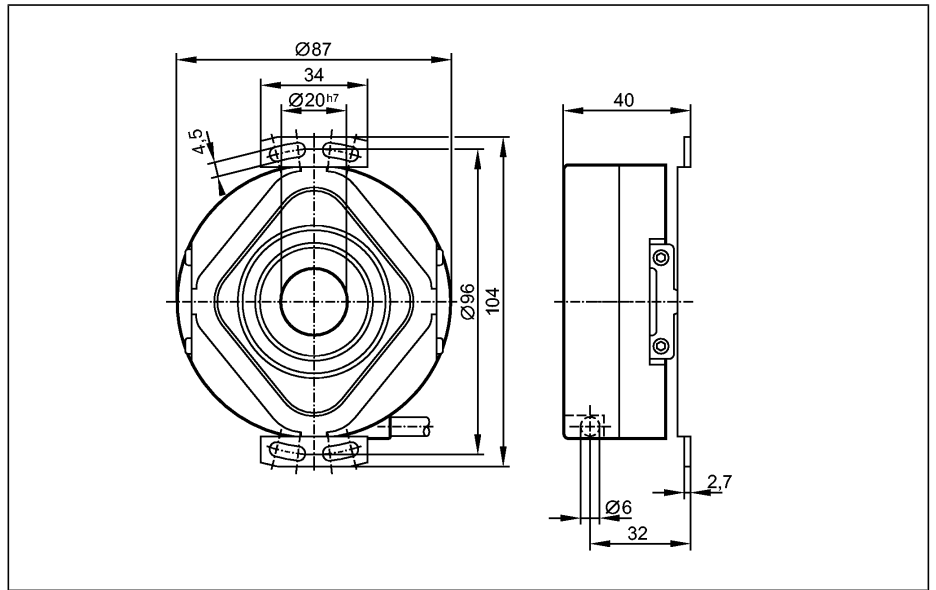


Encoders

RP6010

RP-1000-I24/N10
Hollow shaft encoder
Cable

Resolution 1000



Made in Germany

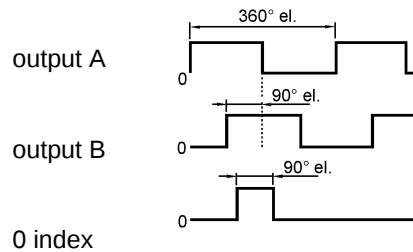


Output

Operating voltage	[V]
Current consumption	[mA]
Switching frequency	[kHz]
Phase difference A und B	[°]
Max. permissible rpm / mech.	[1/min]
Starting torque	[Ncm]
Shaft, material	[mm]
Installation depth/shaft	[mm]
Max. axial shaft alignment	[mm]
Max. relative air humidity	[%]
Ambient temperature	[°C]
Storage temperature	[°C]
Protection	
Shock resistance	
Vibration resistance	
Housing materials	
Connection	
Pulse diagram	

HTL output 50 mA

10...30 DC
< 150
160
90
6000
< 15 (20 °C)
continuous hollow shaft Ø 20 H7, rust-retardant steel 430 F
min. 46
± 1.5
75 (***)
-30...50 *) (**)
-30...100
IP 64
DIN IEC 60068-2-27:100 g (6 ms)
EN 60068-2-6:200 g (50...2000 Hz)
aluminium
PUR cable / 1 m; radial



Weight [kg]

0.972

Remarks

*) higher temperature upon request
 **) for the diagram see the installation instructions
 ***) briefly 95 % (condensation not allowed)

RP6010**Wiring**

brown: A	blue:	10...30V
green: A		(sensor)
(inv.)	white:	0V
grey: B		(sensor)
pink: B	brown/green:	10...30V
(inv.)		(Up)
red: 0	white/green:	0V (Un)
index	lilac:	error
black: 0		(inv.)
index	screen:	housing
(inv.)		