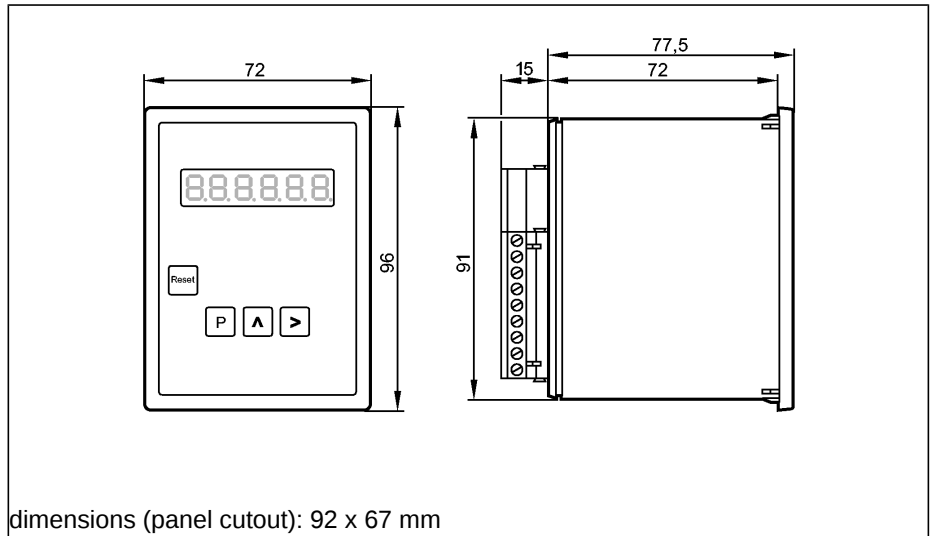


Evaluation systems, power supplies

DZ0101

Electronic counter
100

Housing for panel mounting
programmable



dimensions (panel cutout): 92 x 67 mm

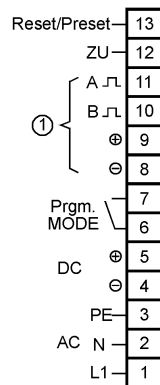


Made in Germany

Application	display counter with preset
Nominal voltage [V]	230 AC (50...60 Hz) / 24 DC
Voltage tolerance [%]	± 10
Power consumption [VA]	15 VA (230 V AC) / 12 W (24 V DC)
Sensor supply [V]	24 DC (200 mA) *)
Current consumption [mA]	signal input: typ. 10 mA (at 24 V DC); control input: typ. 10 mA
Input frequency (max.)	signal input: 20 kHz; control input: 60 Hz
Ambient temperature [°C]	0...50
Protection housing / terminals	IP 40 / IP 00
Housing materials	aluminium black anodised
Function display LED	7-segment LED display; red; 8 mm; 6 positions
Connection	coded plug-in terminal strip; screw terminals up to 2.5 mm ²
Weight [kg]	0.744
Remarks	*) short-circuit protection

Wiring

- 1: AC Supply voltage (L1)
- 2: AC Supply voltage (N)
- 3: Protective earth (PE)
- 4: DC Supply voltage (-)
- 5: DC Supply voltage (+)
- 6: link for programming mode
- 7: link for programming mode
- 8: Sensor supply (L-)
- 9: Sensor supply (L+)
- 10: signal input B (subtracting)
- 11: signal input A (adding)
- 12: counting interruption (ZU)
- 13: reset-/preset pulse



1: sensor