

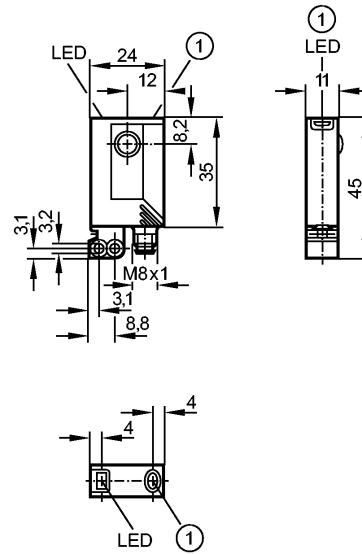
Photoelectric sensors

**OJ5085**

OJPGFPKG/FO/AS  
Retro-reflective sensor  
Rectangular, plastics  
Plug and socket

Glass and film detection  
Polarisation filter  
Electronic lock  
External teach function  
Front sensing

Sensing range 0.2...1.5m  
(Prismatic reflector 50 x 50 mm  
(E20722))  
adjustable



1: pushbutton

Made in Germany



Electrical design	DC PNP	
Output	light-on / dark-on programmable	
Range referred to prismatic reflector [m]	E20722	0.2...1.5
	E20991	0.15...0.4
	E20992	0.15...0.3
Light spot diameter [mm]	64 ( at maximum range )	
Operating voltage [V]	10...30 DC	
Current rating [mA]	200	
Short-circuit protection	pulsed	
Reverse polarity protection	yes	
Overload protection	yes	
Voltage drop [V]	< 2.5	
Current consumption [mA]	< 22	
Switching frequency [Hz]	2000	
Type of light	red light 660 nm	
Ambient temperature [°C]	0...60	
Protection	IP 67, III	
EMC	EN 60947-5-2	
Housing materials	housing: ABS; fixture: diecast zinc; LED window: SEPS; pushbutton: SEPS	
Lens material	glass	
Function display		
Switching status	LED yellow	
Operation	LED green	
Function	LED red	
Connection	M8 connector	
Weight [kg]	0.044	
Remarks	cULus - Class 2 source required	
Accessories (included)	Basic clip, E20964, 2 mounting screws, M3 x 16, 2 spring washers, 2 nuts	

**OJ5085**

**Wiring**

