

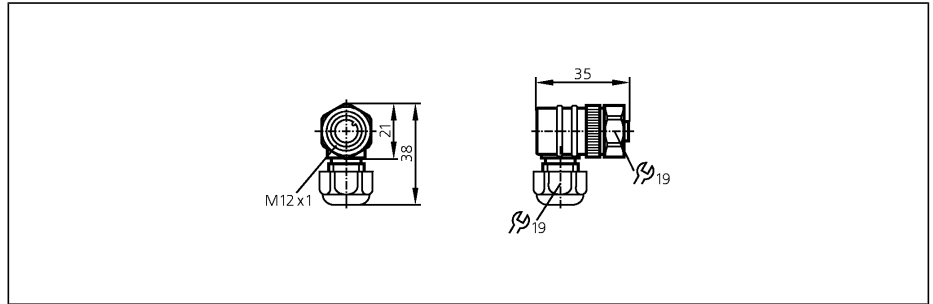
Connection technology

E11862

ifm electronic
Socket

For sensors with
M12 connector

Free from silicone
Free from halogen
wirable
gold-plated contacts



Electrical design	
Operating voltage	[V]
Current rating	[A]
Design	
Ambient temperature	[°C]
Protection	
Material body	
Material nut	
Tightening torque for knurled nut	[Nm]
Connection	
Weight	[kg]

AC/DC	
240 AC/DC	
4 (40 °C)	
angled	
-25...90	
IP 67 / IP 69K	
PBT	
high-grade stainless steel	
0.7...0.9	
wirable; ...0.75 mm ² (Ø 4...8 mm); screw terminals	
0.028	

Wiring

