

Connection technology

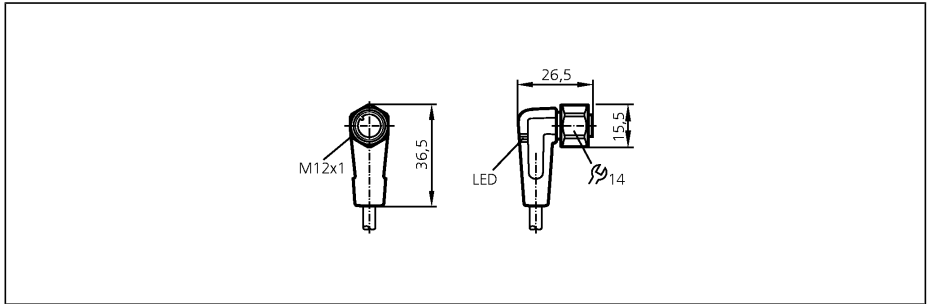
EVT009

ADOAH043VAS0025E04
Socket

For sensors with
M12 connector

Free from silicone
gold-plated contacts

For hygienic and wet areas in the food industry



Made in Germany



Electrical design	
Operating voltage	[V]
Current rating	[A]
Design	
Ambient temperature	[°C]
Protection	
Material body	
Material nut	
Tightening torque for knurled nut [Nm]	
Function display	
Operation	LED
Switching status	LED
Connection	
Sheath colour	
Weight	[kg]

DC PNP	
10...36 DC	
4	
angled	
-25...100	
IP 67 / IP 68 / IP 69K, II	
housing: PVC black transparent; sealing: EPDM	
stainless steel 316L / 1.4404	
0.6...1.5	
green	
2 x yellow	
PVC cable / 25 m; 4 x 0.34 mm ² (42 x Ø 0.1 mm); Ø 4.9 mm	
orange	
0.907	

Wiring

- Core colours
 BK black
 BN brown
 BU blue
 WH white

