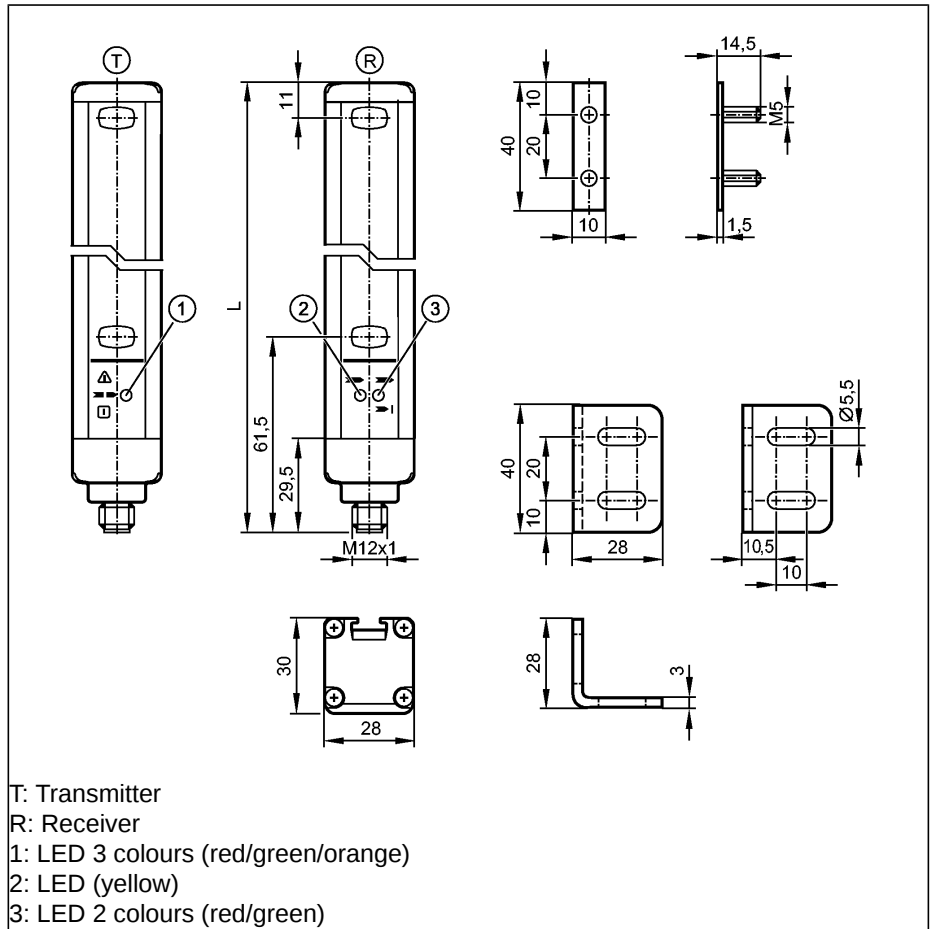


Photoelectric sensors

**OY077S**

OYA1060-50-2-12-P-1  
Safety light curtain  
Plug and socket

Complies with the requirements:  
type 2 (IEC 61496-1)  
SIL 2 (IEC 61508)  
SILcl 2 (IEC 62061)  
PL d (EN ISO 13849-1)



Length L [mm]	
Electrical design	
Operating voltage	[V]
Short-circuit protection	
Reverse polarity protection	
Current consumption	
Transmitter	[mA]
Receiver	[mA]
Outputs (OSSDs)	
Max. current load per output	[mA]
Protected area height	[mm]
Resolution (detection capacity d)[mm]	
Protected area width (range)	[m]
Response time	[ms]
Power-on delay time	[s]
ESPE type to IEC 61496	
Mission time TM	[h]
Test interval T1	[Years]
Safety-related reliability PFHd	
MTTFd	[Years]
DC/CCF/Cat.	

1113	
DC PNP	
Operating voltage	24 DC (19.2...28.8)
Short-circuit protection	yes
Reverse polarity protection	yes
Current consumption	
Transmitter	42
Receiver	83
Outputs (OSSDs)	2 x PNP
Max. current load per output	400 (24 V)
Protected area height	1060
Resolution (detection capacity d)[mm]	50
Protected area width (range)	0...4 / 3...12
Response time	9
Power-on delay time	< 2
ESPE type to IEC 61496	2
Mission time TM	175200
Test interval T1	20
Safety-related reliability PFHd	3.9E-08
MTTFd	100
DC/CCF/Cat.	92.3% / 80 % / 2

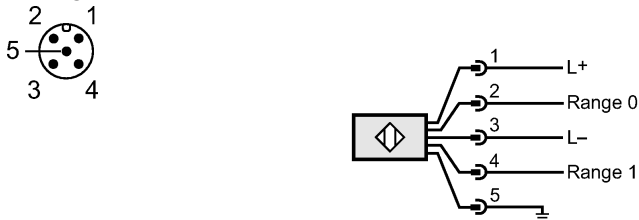
**OY077S**

EMC	IEC 61496-1
Vibration resistance	IEC 61496-1
Shock resistance	IEC 61496-1
Ambient temperature [°C]	-10...55
Storage temperature [°C]	-20...70
Max. relative air humidity [%]	95
Applications	Class C to EN 60654-1 weatherproof application
Protection	IP 65 / IP 67, III
Housing materials	housing: aluminium; window: PC
Type of light	Infrared light 950 nm
Display	LED yellow LED green LED red
Max. connection cable length [m]	100 *)

**Transmitter**

Connection	M12 connector
------------	---------------

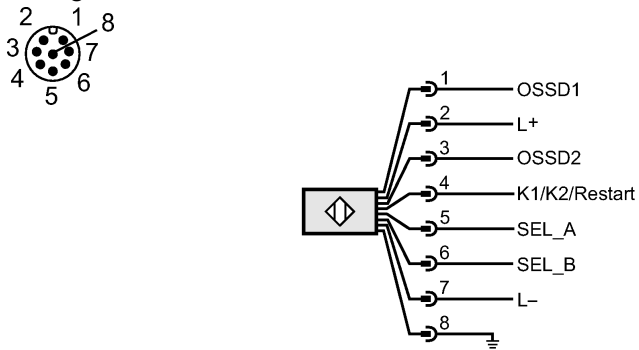
**Wiring**



**Receiver**

Connection	M12 connector
------------	---------------

**Wiring**



Weight [kg]	3.7
Remarks	*) for wire cross-section 0.34 mm <sup>2</sup>
Accessories (included)	4 mounting brackets, 4 mounting nuts, nuts