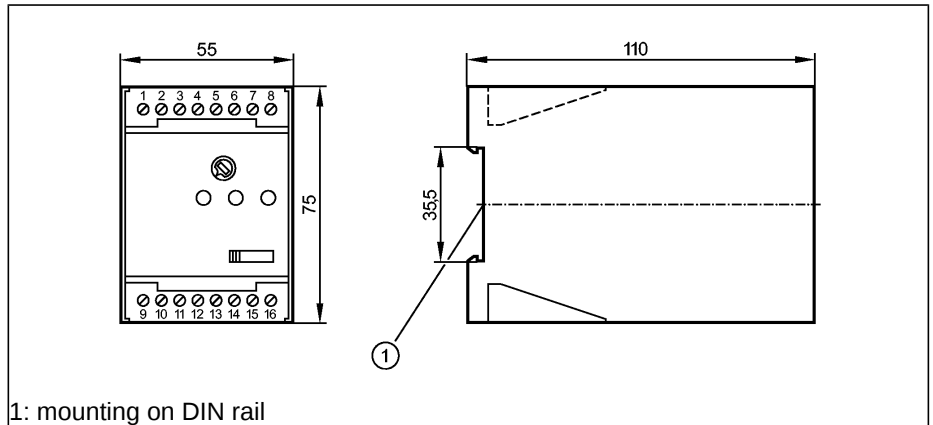


Evaluation systems, power supplies

**DA0001**

Standstill monitor  
A300

Housing for DIN rail mounting



1: mounting on DIN rail



Made in Germany

Application	Evaluation of pulse sequences with regard to underspeed or missing pulse relay (1 changeover contact)	
Output	5...25 / 20...100	
Setting range [pulses/min.]	5...25 / 20...100	
Nominal voltage [V]	230 AC (50...60 Hz) / 24 DC	
Voltage tolerance [%]	± 10	
Contact rating	8 A / 1250 VA / 250 V AC	
Sensor supply [V]	24 DC (max. 30mA)	
Input frequency (max.) [pulses/min]	15000 (250 Hz)	
Hysteresis [% of Sp]	5 *)	
Repeatability [% / Sp]	3	
Start-up delay [s]	15 **)	
Switching function	F1/F2, with slide switch	
Adjustment of the switch point	fine adjustment within the ranges with potentiometer	
Ambient temperature [°C]	0...50	
Protection housing / terminals	IP 40 / IP 20	
Housing materials	plastics	
Function display		
Switching status LED	green (lights when the output relay is energised)	
Operation LED	green	
Input pulses LED	yellow	
Connection	16 terminals...2.5 mm <sup>2</sup>	
Weight [kg]	0.411	
Remarks	*) fixed **) reduction by means of external resistor	

**Wiring**

1: remote start-up delay

