

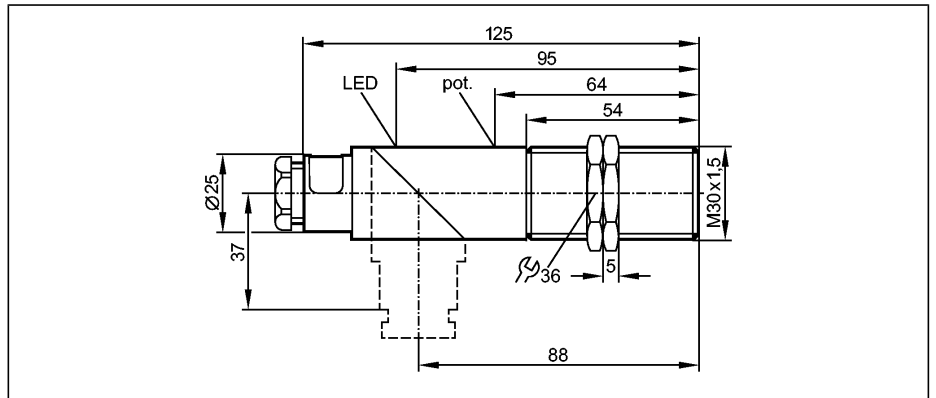
Capacitive sensors

KI5023

KIE3015-FPKG/NI
Capacitive sensor
Plastic thread M30 x 1.5
Terminals

Increased immunity to conducted radio frequency interference

Sensing range 15 mm [nf]
non-flush mountable



Made in Germany



Electrical design

Output

Operating voltage	[V]
Current rating	[mA]
Short-circuit protection	
Reverse polarity protection	
Overload protection	
Voltage drop	[V]
Current consumption	[mA]
Real sensing range	[mm]
Operating distance	[mm]
Switch-point drift	[% of Sr]
Hysteresis	[% of Sr]
Switching frequency	[Hz]
Correction factors	
Ambient temperature	[°C]
Protection	
EMC	
Housing materials	
Function display	
Switching status	LED
Connection	
Weight	[kg]
Remarks	
Accessories (included)	

DC PNP

normally open / closed programmable

10...55 DC (**)
250
pulsed
yes
yes
< 2.5
< 14 (24 V)
15 ± 10 %
0...12.1
-15...15
1...15
40
water = 1 / glass approx. 0.4 / ceramics approx. 0.2 / PVC approx. 0.2
-25...70
IP 65, II
EN 60947-5-2
PBT; end cap: polycarbonate
yellow
terminals up to 2.5 mm ² ; cable diameter 7...13 mm, cable gland M20 x 1.5
0.126
***) operating voltage "supply class 2" to cULus.
2 lock nuts, screwdriver

Wiring

