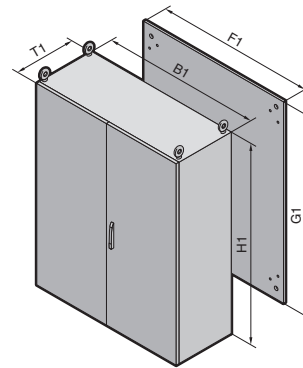
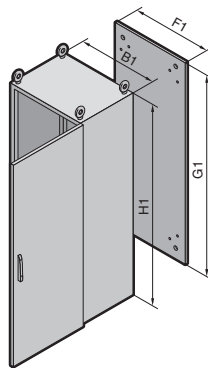


Free-standing enclosure ES 5000

Width: 600 – 1000



Free-standing enclosure ES 5000

Material:

Sheet steel
Enclosure: 1.8 mm
Door: 2.0 mm
Rear panel and gland plates: 1.5 mm
Mounting plate: 3.0 mm

Surface finish:

Enclosure, door and rear panel: Dipcoat-primed, powder-coated in textured RAL 7035 on the outside
Mounting plates and gland plates: Zinc-plated

Protection category:

IP 56 to EN 60 529/09.2000, IP 55 to EN 60 529/09.2000 for ES 5080.500, complies with NEMA 12.

Supply includes:

Enclosure with door(s), r/h door hinge, can be changed to opposite side (except 5080.500), mounting plate, gland plates and rear panel, detachable, 2 eyebolts unfitted (ES 5080.500, ES 5084.500: 4 eyebolts, fitted).

Approvals,
see page 32.

Detailed drawing/nominal dimensions,
see page 1188 – 1189.

Width (B1) mm	Packs of	600	800	600	800	1000	1000	600	800	Page
Height (H1) mm		1600	1600	1800	1800	1800	1800	2000	2000	
Depth (T1) mm		500	500	400	400	400	400	500	500	
Mounting plate width (F1) mm		499	699	499	699	899	899	499	699	
Mounting plate height (G1) mm		1496	1496	1696	1696	1696	1696	1896	1896	
Model No. ES	1	5665.500	5865.500	5684.500	5884.500	5084.500	5080.500	5605.500	5805.500	
Door(s)		1	1	1	1	1	2	1	1	
Weight (kg)		102.5	124.5	104.5	125.0	147.0	148.0	124.0	151.5	

Accessories

Base/plinth	Height 100 mm	1	2807.200	2829.200	2804.200	2823.200	2909.200	2909.200	2807.200	2829.200	901
	Height 200 mm	1	2808.200	2830.200	2805.200	2824.200	2910.200	2910.200	2808.200	2830.200	901
Cable clamp rails for cable clamps		2	4191.000	4192.000	4191.000	4192.000	4336.000	4336.000	4191.000	4192.000	1061
Cable clamp rail (C section) for cable clamps		6	4944.000	4945.000	4944.000	4945.000	4946.000	4946.000	4944.000	4945.000	999
Support strips for door		20	4596.000	4598.000	4596.000	4598.000	4599.000	4599.000	4596.000	4598.000	964
Wiring plan pocket, sheet steel		1	4116.X00	4118.X00	4116.X00	4118.X00	4115.X00	4115.X00	4116.X00	4118.X00	967

Lock systems

Standard double-bit lock insert may be exchanged for lock inserts 27 mm, type A, see page 956 and for lock system Ergoform-S, see page 953.

To order enclosures in textured RAL 7032 please add extension .600 to the Model No., and for primed enclosures use extension .800. Delivery times available on request.



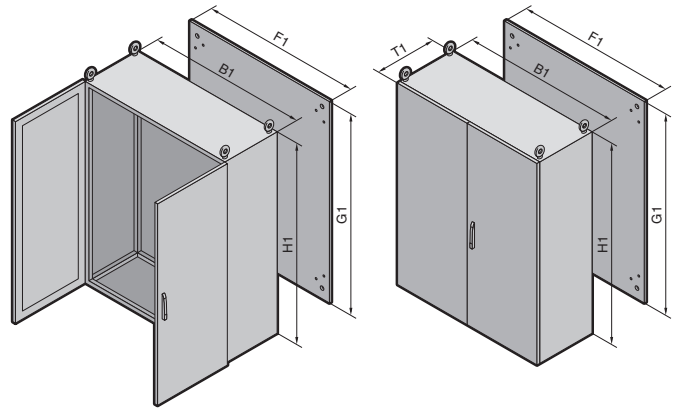
Fold-out tray for keyboard and mouse,
Model No. see page 1139.



Transport handles for mounting plates and doors,
Model No. see page 983/967.

Free-standing enclosure ES 5000

Width: 1200 – 1800



Material:

Sheet steel
Enclosure: 1.8 mm
Double door: 2.0 mm
Rear panel and gland plates: 1.5 mm
Mounting plate: 3.0 mm

Surface finish:

Enclosure, double door and rear panel: Dipcoat-primed, powder-coated in textured RAL 7035 on the outside
Mounting plates and gland plates: Zinc-plated

Protection category:

IP 55 to EN 60 529/09.2000, complies with NEMA 12.

Supply includes:

Enclosure with doors, mounting plate, gland plates and rear panel (ES 5784.500, ES 5905.500 two-piece), detachable, 4 eyebolts, fitted.

Approvals,

see page 32.

Detailed drawing/nominal dimensions,

see page 1188 – 1189.

Free-standing enclosure ES 5000
B
1.3

Width (B1) mm	Packs of	1200	1200	1600	1200	1800	Page
Height (H1) mm		1600	1800	1800	2000	2000	
Depth (T1) mm		500	400	400	500	500	
Mounting plate width (F1) mm		1099	1099	1499	1099	1699	
Mounting plate height (G1) mm		1496	1696	1696	1896	1896	
Model No. ES	1	5265.500	5284.500	5784.500	5205.500	5905.500	
Doors		2	2	2	2	2	
Weight (kg)		175.5	180.0	222.0	210.0	300.0	

Accessories

Base/plinth	Height 100 mm	1	2839.200	2836.200	2905.200	2839.200	2903.200	901
	Height 200 mm	1	2840.200	2837.200	2906.200	2840.200	2904.200	901
Cable clamp rails for cable clamps		2	4196.000	4196.001	4338.000	4196.000	4339.000	1061
Cable clamp rail (C section) for cable clamps		6	4947.000	4947.000	–	4947.000	–	999
Support strips for door		20	4596.000	4596.000	4598.000	4596.000	4579.000	964
Wiring plan pocket, sheet steel		1	4116.X00	4116.X00	4118.X00	4116.X00	4123.X00	967

Lock systems

Standard double-bit lock insert may be exchanged for lock inserts 27 mm, type A, see page 956 and for lock system Ergoform-S, see page 953.

To order enclosures in textured RAL 7032 please add extension .600 to the Model No., and for primed enclosures use extension .800. Delivery times available on request.



Cable duct, horizontal,
Model No. see page 1060.



System window
to protect against unauthorised access and preserve the protection category,
Model No. see page 943.

Console systems

Features

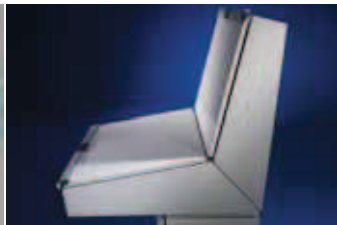
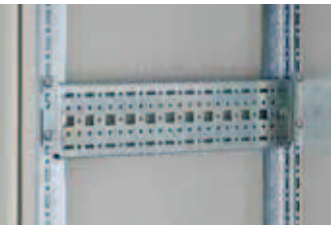


The performance capability of a machine or plant is decided at the console and operating unit.

Rittal have set new standards in ergonomics, visual appearance and functionality for the human/machine interface with the **TopConsole system**. In particular, the modularity of the interior installation and variability within the "human/machine interface" family has been significantly extended, and offers versatile flexibility thanks to its compatibility with TS 8 system accessories.



TopConsole system TP



System configuration
The numerous components from the Rittal modular system produce a host of individual solutions which you are sure to find worthwhile.

Aesthetics
The slim, stylish design and the large surface are simply perfect.

Combination diversity
The TopConsole pedestal combined with a desk unit, CP-L support arm components and a Command Panel.



One-piece consoles AP



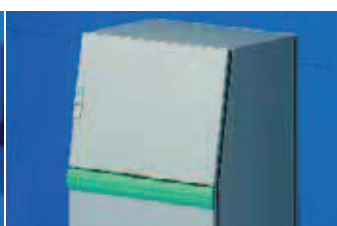
Cover
including perforated strips for cable routing. Safety lid stay may be unlatched with two-handed operation.

Door hinge
may be swapped from right to left by simply unscrewing the hinges.

Variable installation depth in the cover section
and cable entry from the rear via a mounting plate, height-adjustable by 2 x 40 mm.



Universal consoles AP



Optionally with short or tall door.
Short door for use with free panel for mounting desk section or keyboard drawer.

High stability and protection category
thanks to a body which is manufactured more or less from a single piece.

Universal interior installation
with partial mounting plates, component shelves, punched sections and rails.