

Compact enclosures

Features



Rittal compact enclosures with a host of decisive benefits: Triple surface treatment (nanoceramic pretreatment, electro-phoretic dipcoat priming, powder coating); materials, sizes and designs are tailored to all major requirement profiles; superior value for money; solution diversity thanks to Rittal system accessories.

For exceptional requirements:
Stainless steel compact enclosures, see page 308.
Ex enclosures, see page 324 – 326.
EMC enclosures, see page 327 – 328.

1.2 B Compact enclosures



Compact enclosures AE



Perforated mounting strips in the door for fast attachment of support strips, cable conduit holders and covers.



Rear panel with holes, prepared for wall mounting bracket or direct wall mounting.



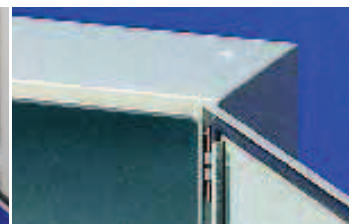
Multi-folded **enclosure protection channel** prevents the ingress of dirt and water when the door is opened.



PE conductor connection facilities on the enclosure, door and mounting plate, see from page 1034.



Gland plates made from sheet steel for self-assembly may be exchanged for prepunched plates or plastic gland plates.



Door opening angle 130°, on request 180° hinges, see page 963.



Compact enclosures AE IP 69K



Ideal for **mounting on vehicles**: Lock, hinges and mounting plate are all secured in a vibration-resistant manner.



Resistant to high-pressure cleaning
The silicone seal is protected from direct hosed water by the labyrinth seal of the door and enclosure return edge.



Wall mounting directly from the outside using threaded inserts or wall mounting brackets 1594.000 and 2433.000, see page 975.

Compact system enclosures Rittal CM



Enclosure top and bottom, with stud at front for installation of a rail for fast assembly of system light or customer covers.



Potential equalisation
Provided only electrical equipment is mounted on the mounting plate and there is no chance of a voltage overspill to other conductive parts of the enclosure,

automatic potential equalisation (while conforming to DIN EN 60 439-1) eliminates the need for connection of an additional PE conductor.



Enclosure slotted for interchangeable door hinge.



Doors right and left with spot welded perforated mounting strips (25 mm pitch pattern) for universal interior installation.



Lock insert is protected from contamination by the inserted trim panel. There is space for your company logo behind the top polycarbonate cover.



Fast attachment: The mounting plate (folded over at the side) is inserted at the bottom, and secured at the top with clips. Leaving both hands free for screw fastening.



Side panels with studs on the inside for the installation of rails for interior configuration with TS 8 accessories.



More space, greater stability, and more opportunities for cable entry, thanks to a large opening and a wide range of gland plate combinations, see page 911.

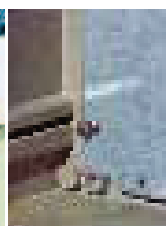
Plastic enclosures KS



C sections for infinitely variable depth adjustment of the mounting plate, and to create several mounting levels.



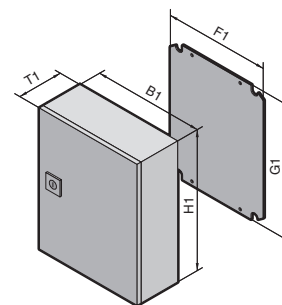
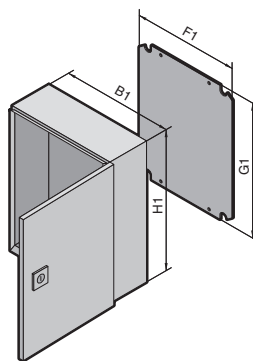
Twin seal on the top and bottom edges of the door in all enclosures, thanks to the integral rain protection strip.



Mounting inserts for threaded inserts in the door and in the rear panel of the enclosure, for simple installation.

Compact enclosures AE

Width: 200 – 600, height: 300 – 400



1.2 B Compact enclosures AE

Material:
Sheet steel

Surface finish:
Enclosure and door:
Dipcoat-primed,
powder-coated in textured
RAL 7035 on the outside
Mounting plate: Zinc-plated

Protection category:
IP 66 to EN 60 529/09.2000,
complies with NEMA 4.

Supply includes:
Enclosure of all-round solid
construction, single-door,
1 gland plate in the enclosure
base,
r/h door hinge, may be swapped
to opposite side (except with
AE 1032.500 and AE 1035.600),
with one cam lock,
foamed-in door seal,
mounting plate.

Approvals,
see page 28.

Detailed drawing,
see page 1177.

Width (B1) mm	Packs of	200	200	300	300	300	380	380	380	600	600	Page
Height (H1) mm		300	300	300	300	400	300	300	380	380	380	
Depth (T1) mm		120	155	155	210	210	155	210	210	210	350	
Mounting plate width (F1) mm		162	162	254	254	254	334	334	334	549	549	
Mounting plate height (G1) mm		275	275	275	275	375	275	275	355	355	355	
Mounting plate thickness mm		2.0	2.0	2.0	2.0	2.0	2.0	2.0	2.0	2.5	2.5	
Model No. AE	1	1032.500	1035.500	1036.500	1033.500	1034.500	1030.500	1031.500	1380.500	1039.500	1339.500	
Weight (kg)		4.0	4.5	6.1	7.0	8.8	7.4	7.5	9.8	15.4	20.0	

Accessories

Gland plate	Size	1	1	–	–	–	3	3	3	5	5	from 1048
	Qty.	1	1	–	–	–	1	1	1	1	1	

Lock systems

Standard double-bit lock insert may be exchanged for 27 mm lock inserts, type A, see page 956, lock cylinder, plastic handles and T handles, type B, see page 954 – 957.

To order enclosures in textured RAL 7032 please add extension .600 to the Model No., and for primed enclosures use extension .800. Delivery times available on request.



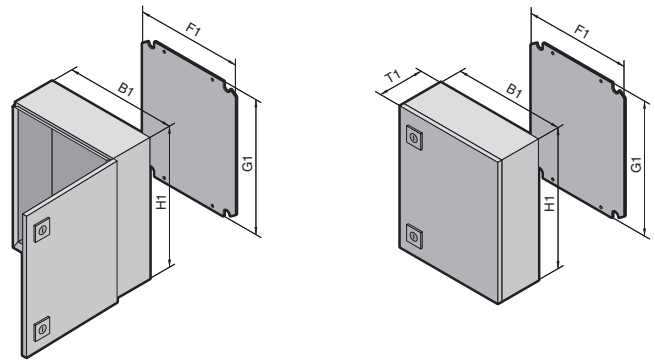
Cable glands
of polyamide or brass,
Model No. see page 1054.



Dust guard trim
for the gap between the door
and the enclosure,
Model No. see page 970.

Compact enclosures AE

Width: 380 – 800, height: 500 – 1000



Material:
Sheet steel

Surface finish:
Enclosure and door:
Dipcoat-primed,
powder-coated in textured
RAL 7035 on the outside
Mounting plate: Zinc-plated

Protection category:
IP 66 to EN 60 529/09.2000,
complies with NEMA 4.

Supply includes:
Enclosure of all-round solid
construction, single-door,
1 gland plate in the enclosure
base,
r/h door hinge, may be swapped
to opposite side,
with 2 cam locks,
foamed-in door seal,
zinc-plated mounting plate.

Approvals,
see page 28.

Detailed drawing,
see page 1177.

B
1.2
Compact enclosures AE

Width (B1) mm	Packs of	380	380	400	400	500	500	500	600	600	Page
Height (H1) mm		600	600	500	800	500	500	700	600	600	
Depth (T1) mm		210	350	210	300	210	300	250	210	250	
Mounting plate width (F1) mm		334	334	354	349	449	449	449	549	549	
Mounting plate height (G1) mm		570	570	475	770	470	470	670	570	570	
Mounting plate thickness mm		2.5	2.5	2.0	2.5	2.5	2.5	3.0	2.5	2.5	
Model No. AE	1	1038.500	1338.500	1045.500	1037.500	1050.500	1350.500	1057.500	1060.500	1054.500	
Weight (kg)		15.6	19.4	13.0	26.2	16.8	19.6	31.2	22.8	24.8	

Accessories											
Gland plate	Size	3	4	4	4	4	4	4	5	5	from 1048
	Qty.	1	1	1	1	1	1	1	1	1	

Width (B1) mm	Packs of	600	600	600	600	600	760	760	800	800	Page
Height (H1) mm		600	760	760	800	1000	760	760	600	1000	
Depth (T1) mm		350	210	350	250	250	210	300	300	300	
Mounting plate width (F1) mm		549	549	549	549	539	704	704	749	739	
Mounting plate height (G1) mm		570	730	730	770	955	730	730	570	955	
Mounting plate thickness mm		2.5	3.0	3.0	3.0	3.0	3.0	3.0	2.5	3.0	
Model No. AE	1	1360.500	1076.500	1376.500	1058.500	1090.500	1077.500	1073.500	1055.500	1180.500	
Weight (kg)		28.4	32.1	36.0	33.6	50.5	40.0	44.5	33.9	57.0	

Accessories											
Gland plate	Size	5	5	5	5	5	5	5	5	5	from 1048
	Qty.	1	1	1	1	1	1	1	1	1	

Lock systems
Standard double-bit lock insert may be exchanged for 27 mm lock inserts, type A, see page 956,
lock cylinder, plastic handles and T handles, type B, see page 954 – 957.

**To order enclosures in textured RAL 7032 please add extension .600 to the Model No., and for primed enclosures use extension .800.
Delivery times available on request.**



Metal gland plates,
pre-punched,
Model No. see page 1049.

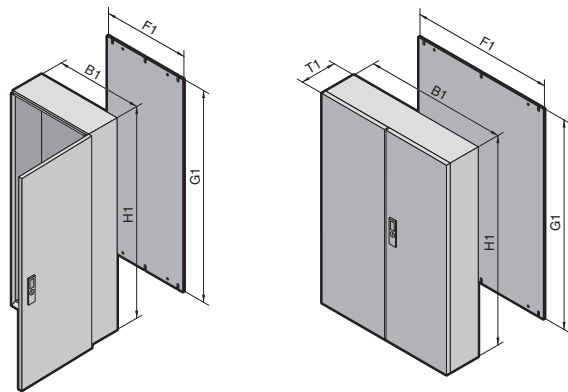


Plastic wiring plan pocket,
screw-fastened,
Model No. see page 966.

Compact enclosures AE

Width: 600 – 1000, height: 760 – 1400

1.2 B Compact enclosures AE



Material:

Sheet steel
Enclosure: 1.5 mm
Door: 2.0 mm
Mounting plate: 3.0 mm

Surface finish:

Enclosure and door:
Dipcoat-primed,
powder-coated in textured
RAL 7035 on the outside
Mounting plate: Zinc-plated

Protection category:

IP 55 to EN 60 529/09.2000,
complies with NEMA 12.
IP 66 to EN 60 529/09.2000,
complies with NEMA 4 for
AE 1260.500, AE 1280.500.

Supply includes:

Enclosure of all-round solid
construction,
single-door: 1 gland plate,
twin-door: 2 gland plates in the
enclosure base,
3-point lock system,
prepared for use of the
Ergoform-S lock system,
2 cam locks for 1100.500,
1130.500, 1110.500,
foamed-in door seal,
zinc-plated mounting plate.

Approvals,

see page 28.

Detailed drawing,

see page 1178.



Possible alternative:

Compact system enclosures
Rittal CM, see page 132 – 133.

Width (B1) mm	Packs of	600	800	1000	1000	1000	1000	1000	Page
Height (H1) mm		1200	1200	760	760	1000	1200	1400	
Depth (T1) mm		300	300	210	300	300	300	300	
Mounting plate width (F1) mm		540	740	944	944	939	940	940	
Mounting plate height (G1) mm		1155	1155	730	730	955	1155	1355	
Model No. AE	1	1260.500	1280.500	1100.500	1130.500	1110.500	1213.500	1114.500	
Door(s)		1	1	2	2	2	2	2	
Weight (kg)		55.0	70.0	52.0	56.0	71.0	85.0	97.0	

Accessories

Self-tapping screws		300	2487.000						1011	
Base/plinth	Height 100 mm	1	2816.200	2818.200	–	2801.200	2801.200	2801.200	2801.200	901
	Height 200 mm	1	2826.200	2828.200	–	2802.200	2802.200	2802.200	2802.200	901
Stainless steel rain canopy		1	–	2475.000	–	2363.000	2363.000	2363.000	2363.000	969
Gland plate	Size		5	5	4	4	4	4	4	from 1048
	Qty.		1	1	2	2	2	2	2	
Eyebolts		4	2509.000	2509.000	–	–	–	2509.000	2509.000	974

Lock systems

Standard double-bit lock insert which may be exchanged for lock inserts 27 mm, type A, see page 956
and for lock system Ergoform-S (not for 1100.500, 1130.500, 1110.500), see page 953.

To order enclosures in textured RAL 7032 please add extension .600 to the Model No., and for primed enclosures use extension .800.
Delivery times available on request.



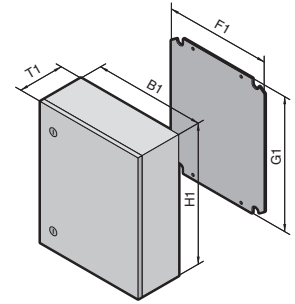
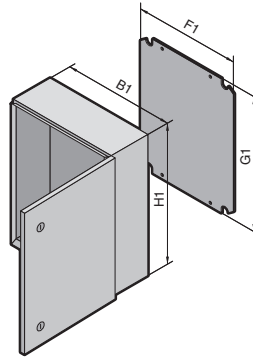
**Cable glands, reducers and
multi-seal inserts,**
Model No. see page 1054 –
1055.



**Compact light and
mounting kit magnet,**
Model No. see page 1027.

Compact enclosures AE

Protection category IP 69K



Perfect protection in a tough environment

The compact enclosure AE in IP 69K is the ideal solution when a high protection category and corrosion resistance are needed.

- Resistant to high-pressure cleaning (protection category IP 69K). The interior seal is protected against direct hosed water.
- Ideal for mounting on vehicles: Lock, hinges and mounting plate are all vibration resistant.
- The enclosure and door have an aluminium zinc coating for a high level of corrosion protection.

- Foamed-in silicone seal, water-impermeable, with high resistance to temperature and chemicals.
- Prepared to accommodate the door stay 1101.800 and the interior door.
- Wall mounting.

Material:
Sheet steel

Surface finish:
Enclosure and door: Aluminium zinc coating, powder-coated in textured RAL 7035
Mounting plate: Zinc-plated

Protection category:
IP 69K to DIN 40 050-9

Supply includes:
Enclosure of all-round solid construction, single-door, door hinge may be swapped to opposite side by rotating the enclosure, mounting plate, cam lock with double-bit insert, other inserts available on request.



Rittal service:

Other sizes available on request. Cut-outs and drilled holes to your specifications.

Detailed drawing,
see page 1180.

Width (B1) mm	Packs of	230	400	400	650	Page
Height (H1) mm		330	400	650	650	
Depth (T1) mm		155	250	250	250	
Mounting plate width (F1) mm		162	334	334	549	
Mounting plate height (G1) mm		275	355	570	570	
Mounting plate thickness mm		2	2	2.5	2.5	
Model No. AE	1	1101.010	1101.020	1101.030	1101.040	
Weight (kg)		6.6	13.8	20	29.6	
Locks		1	1	2	2	

Accessories						
Interior door	1	1101.910	1101.920	1101.930	1101.940	939
Door stay	1	1101.800	1101.800	1101.800	1101.800	967



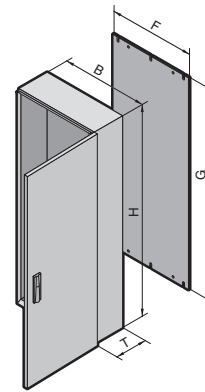
Interior door
with 4 (2 for AE 1101.010) studs for the installation of punched rails 23 x 23 (may be cut to required length), see page 998, and universal installation accessories.



Wall mounting
directly from the rear via M8 nut or with wall mounting bracket, see page 975.

Compact system enclosures Rittal CM

Width: 600 – 800, height: 800 – 1200



Compact system enclosures Rittal CM

1.2 B

Material:

Sheet steel
Enclosure: 1.5 mm
Door: 2.0 mm
Mounting plate: 3.0 mm

Surface finish:

Enclosure and door:
Dipcoat-primed,
powder-coated in textured
RAL 7035 on the outside
Mounting plate: Zinc-plated

Protection category:

IP 55 to EN 60 529/09.2000,
complies with NEMA 12
provided suitable gland plates
are selected.

Supply includes:

Enclosure with one door,
r/h door hinge, may be swapped
to opposite side, mounting plate,
base open for individual cable
entry.



Also required:

Gland plates,
see page 911 – 912,
or end plate,
see page 913.

Approvals,
see page 29.

**Detailed drawing/nominal
dimensions,**
see page 1181.



Rittal service:

Other sizes, cut-outs and holes
available on request.

Width (B) mm	Packs of	600	600	600	600	800	800	800	800	Page
Height (H) mm		800	1000	1200	1200	1000	1000	1200	1200	
Depth (T) mm		400	400	300	400	300	400	300	400	
Mounting plate width (F) mm		540	540	540	540	740	740	740	740	
Mounting plate height (G) mm		755	955	1155	1155	955	955	1155	1155	
Model No. CM	1	5110.500	5111.500	5112.500	5113.500	5114.500	5115.500	5116.500	5117.500	
Door		1	1	1	1	1	1	1	1	

Base/plinth											
Components front and rear	Height 100 mm	1 set	8601.600	8601.600	8601.600	8601.600	8601.800	8601.800	8601.800	8601.800	893
	Height 200 mm	1 set	8602.600	8602.600	8602.600	8602.600	8602.800	8602.800	8602.800	8602.800	893
Trim panels (sides)	Height 100 mm	1 set	8601.040	8601.040	8601.030	8601.040	8601.030	8601.040	8601.030	8601.040	893
	Height 200 mm	1 set	8602.040	8602.040	8602.030	8602.040	8602.030	8602.040	8602.030	8602.040	893

Accessories											
Rail for interior installation	for height	4	5001.051	5001.052	5001.053	5001.053	5001.052	5001.052	5001.053	5001.053	992
	for width	4	5001.050	5001.050	5001.050	5001.050	5001.051	5001.051	5001.051	5001.051	992
Matching punched sections with mounting flanges	in depth	4	8612.140	8612.140	8612.130	8612.140	8612.130	8612.140	8612.130	8612.140	993
	in width	4	8612.060	8612.060	8612.060	8612.060	8612.080	8612.080	8612.080	8612.080	993
Support strips for door		20	4596.000	4596.000	4596.000	4596.000	4598.000	4598.000	4598.000	4598.000	997
Punched sections with mounting flanges for door		4	8612.050	8612.050	8612.050	8612.050	-	-	-	-	993
Cable clamp rail		1	5001.080	5001.080	5001.080	5001.080	5001.081	5001.081	5001.081	5001.081	1062
Wiring plan pocket Sheet steel, depth 35 mm		1	4116.500	4116.500	4116.500	4116.500	4118.500	4118.500	4118.500	4118.500	967
Rain canopy/vented roof		1	5001.310	5001.310	5001.300	5001.310	5001.320	5001.330	5001.320	5001.330	969

Lock systems

Standard double-bit lock insert may be exchanged for lock inserts, type F, see page 956, and folding lever handle, see page 949 – 950.

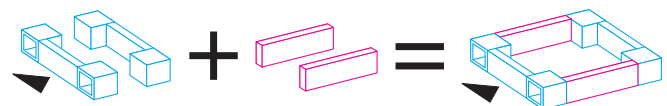
To order primed enclosures, please add extension .800 to the Model No. Delivery times available on request.



Mounting plate slide block

Allows the populated mounting plate to slide in easily,
Model No. see page 982.

Base/plinth,
see page 892.



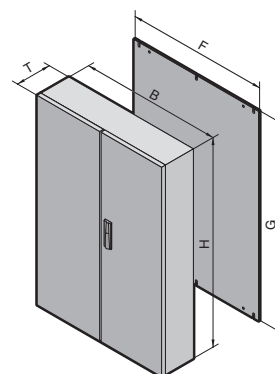
One Model No. for the
base/plinth components
front and rear.

One Model No. for
the **base/plinth trim,**
side.

One complete
base/plinth.

Compact system enclosures Rittal CM

Width: 1000 – 1200, height: 1000 – 1400



B
1.2

Compact system enclosures Rittal CM

Material:
Sheet steel
Enclosure: 1.5 mm
Door: 2.0 mm
Mounting plate: 3.0 mm

Surface finish:
Enclosure and door:
Dipcoat-primed,
Powder-coated in textured
RAL 7035 on the outside
Mounting plate: Zinc-plated

Protection category:
IP 55 to EN 60 529/09.2000,
complies with NEMA 12
provided suitable gland plates
are selected.

Supply includes:
Enclosure with two doors,
lockable door, may be swapped
to opposite side, mounting plate,
base open for individual cable
entry.

! Also required:

Gland plates,
see page 911 – 912,
or end plate,
see page 913.

🔧 Rittal service:

Other sizes, cut-outs and holes
available on request.

Approvals,
see page 29.

**Detailed drawing/nominal
dimensions,**
see page 1181.

Width (B) mm	Packs of	1000	1000	1000	1000	1000	1200	Page
Height (H) mm		1000	1200	1200	1400	1400	1200	
Depth (T) mm		300	300	400	300	400	400	
Mounting plate width (F) mm		940	940	940	940	940	1140	
Mounting plate height (G) mm		955	1155	1155	1355	1355	1155	
Model No. CM	1	5118.500	5119.500	5120.500	5121.500	5122.500	5123.500	
Doors		2	2	2	2	2	2	

Base/plinth									
Components front and rear	Height 100 mm	1 set	8601.000	8601.000	8601.000	8601.000	8601.000	8601.200	893
	Height 200 mm	1 set	8602.000	8602.000	8602.000	8602.000	8602.000	8602.200	893
Trim panels (sides)	Height 100 mm	1 set	8601.030	8601.030	8601.040	8601.030	8601.040	8601.040	893
	Height 200 mm	1 set	8602.030	8602.030	8602.040	8602.030	8602.040	8602.040	893

Accessories									
Rail for interior installation	for height	4	5001.052	5001.053	5001.053	5001.054	5001.054	5001.053	992
	for width	4	5001.052	5001.052	5001.052	5001.052	5001.052	5001.053	992
Matching punched sections with mounting flanges	in depth	4	8612.130	8612.130	8612.140	8612.130	8612.140	8612.140	993
	in width	4	8612.000	8612.000	8612.000	8612.000	8612.000	8612.020	993
Support strips for door		20	4309.000	4309.000	4309.000	4309.000	4309.000	4596.000	997
Punched sections with mounting flanges for door		4	8612.040	8612.040	8612.040	8612.040	8612.040	8612.050	993
Cable clamp rail		1	5001.082	5001.082	5001.082	5001.082	5001.082	5001.083	1062
Wiring plan pocket Sheet steel, depth 35 mm		1	4115.500	4115.500	4115.500	4115.500	4115.500	4116.500	967
Rain canopy/vented roof		1	5001.340	5001.340	5001.350	5001.340	5001.350	5001.360	969

Lock systems
Standard double-bit lock insert may be exchanged for lock inserts, type F, see page 956, and folding lever handle, see page 949 – 950.

To order primed enclosures, please add extension .800 to the Model No. Delivery times available on request.



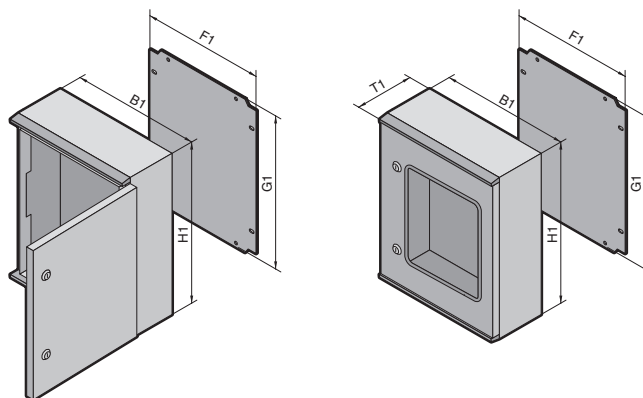
Section for cable entry, rear,
may be integrated into the
modular base plate concept,
see page 1047.



Mounting plate attachment
for high dynamic loads,
Model No. see page 983.

Plastic enclosures KS

Width: 200 – 600, height: 300 – 600



1.2 B Plastic enclosures KS

Material:

Enclosure and door:
Fibreglass-reinforced
unsaturated polyester
Mounting plate:
Sheet steel
For KS with viewing window:
Glazed acrylic,
3.0 mm with all-round rubber
cable clamp strip

Surface finish:

Enclosure and door:
No after-treatment,
dyed plastic,
similar to RAL 7035
Mounting plate: Zinc-plated

Protection category:

KS without viewing window:
IP 66 to EN 60 529/09.2000,
complies with NEMA 4x.

KS with viewing window:
IP 56 to EN 60 529/09.2000,
complies with NEMA 12.

Supply includes:

Enclosure of solid all-round
construction, r/h door hinge,
may be swapped to opposite
side by rotating the enclosure,
mounting plate,
all-round foamed-in PU seal in
the door,
twin seal on the top and bottom
edges (integral rain protection
strip), press-fitted C sections at
the sides for infinitely variable
mounting plate depth adjust-
ment.

Note:

Under the influence of long-term
UV radiation (sunlight) in con-
junction with wind and rain,
the surface finish may become
visually impaired.
In other words, the fibreglass
becomes visible on unprotected
surfaces. This does not impair
the protection of the installed
electrical components in any
way. All other surface finishes
are likewise impaired by ultra-
violet radiation.
If the enclosures cannot be pro-
tected from radiation, e.g. via a
sun canopy, we recommend that
they should be painted with a
PUR paint. Older enclosures
where the surface finish already
reveals visible fibreglass can

likewise be treated in this way
after thorough cleaning.
Of course, all enclosures can
also be supplied spray-finished
in RAL colours. For outdoor
siting, we recommend pale
shades.
Permissible ambient tempera-
ture -30°C to $+75^{\circ}\text{C}$.

Approvals,
see page 29.

Detailed drawing,
see page 1182.

	Packs of	Without viewing window							With viewing window			
Width (B1) mm		200	250	300	400	400	500	600	400	400	500	600
Height (H1) mm		300	350	400	400	600	500	600	400	600	500	600
Depth (T1) mm		150	150	200	200	200	300	200	200	200	300	200
Mounting plate width (F1) mm		145	195	245	345	345	417	545	345	345	417	545
Mounting plate height (G1) mm		250	300	350	350	550	450	550	350	550	450	550
Mounting plate thickness mm		2.0	2.0	2.0	2.5	2.5	2.5	2.5	2.5	2.5	2.5	2.5
Model No. KS	1	1423.500	1432.500	1434.500	1444.500	1446.500	1453.500	1466.500	1448.500	1449.500	1454.500	1467.500
Door(s)		1	1	1	1	1	1	1	1	1	1	1
Weight (kg)		3.0	4.1	6.0	7.9	11.5	12.9	15.9	8.0	11.5	13.4	15.9

Lock systems

Standard double-bit lock insert may be exchanged for lock inserts, type E, see page 956, and plastic handles, type E, see page 954.



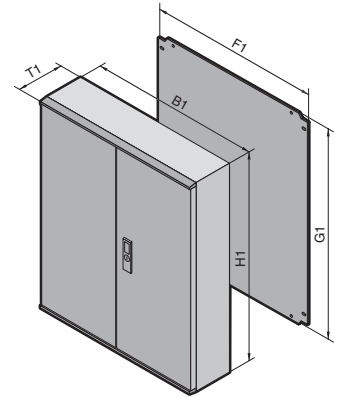
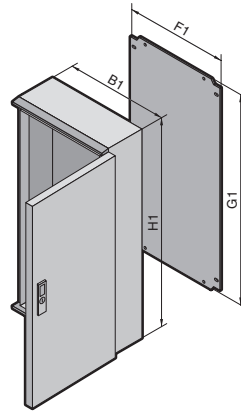
Cable gland, polyamide,
Model No. see page 1054.



Wall mounting bracket,
Model No. see page 975.

Plastic enclosures KS

Width: 600 – 1000, height: 800 – 1000



Plastic enclosures KS
B
1.2

Material:

Enclosure and door:
Fibreglass-reinforced
unsaturated polyester
Mounting plate:
Sheet steel
For KS with viewing window:
Glazed acrylic, 3.0 mm
with all-round rubber cable
clamp strip

Surface finish:

Enclosure and door:
No after-treatment,
dyed plastic,
similar to RAL 7035
Mounting plate: Zinc-plated

Protection category:

IP 56 to EN 60 529/09.2000,
complies with NEMA 12.
IP 66 to EN 60 529/09.2000,
complies with NEMA 4 for
KS 1468.500, KS 1480.500.

Supply includes:

Enclosure of solid all-round
construction, r/h door hinge,
may be swapped to opposite
side by rotating the enclosure
(only with single-door models),
mounting plate, all-round
foamed-in PU seal in the door,
twin seal on the top and bottom
edges (integral rain protection
strip), press-fitted C sections at
the sides for infinitely variable
mounting plate depth adjust-
ment.

KS 1400.500 additionally with
removable centre bar in the
enclosure.

Note:

Under the influence of long-term
UV radiation (sunlight) in con-
junction with wind and rain,
the surface finish may become
visually impaired.
In other words, the fibreglass
becomes visible on unprotected
surfaces. This does not impair
the protection of the installed
electrical components in any
way. All other surface finishes
are likewise impaired by ultra-
violet radiation.
If the enclosures cannot be pro-
tected from radiation, e. g. via a
sun canopy, we recommend that
they should be painted with a
PUR paint. Older enclosures
where the surface finish already
reveals visible fibreglass can
likewise be treated in this way
after thorough cleaning.

Of course, all enclosures can
also be supplied spray-finished
in RAL colours. For outdoor
siting, we recommend pale
shades.
Permissible ambient tempera-
ture -30°C to $+75^{\circ}\text{C}$.

Approvals,
see page 29.

Detailed drawing,
see page 1183.

	Packs of	Without viewing window			With viewing window	
Width (B1) mm		600	800	1000	600	800
Height (H1) mm		800	1000	1000	800	1000
Depth (T1) mm		300	300	300	300	300
Mounting plate width (F1) mm		517	717	917	517	717
Mounting plate height (G1) mm		750	950	950	750	950
Mounting plate thickness mm		3.0	3.0	3.0	3.0	3.0
Model No. KS	1	1468.500	1480.500	1400.500	1469.500	1479.500
Door(s)		1	1	2	1	1
Weight (kg)		26.0	39.0	50.0	25.5	33.0

Lock systems

Standard double-bit lock insert may be exchanged for lock inserts, type E, see page 956, and Ergoform-S lock system, KS 1490.010, see page 953.



Cable ducts,
Model No. see page 1060.



Signal pillar LED compact,
protection category IP 65,
Model No. see page 1125.