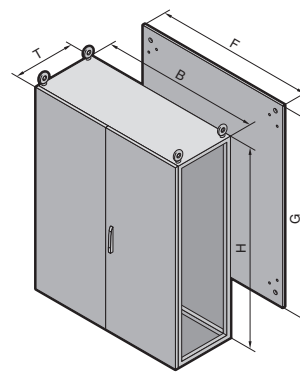
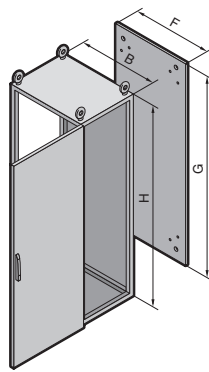


Stainless steel

Baying systems TS 8



1.6
Stainless steel

Material:

Sheet steel
Enclosure frame, roof, rear panel and gland plates: 1.5 mm
Door(s): 2.0 mm; Mounting plate: Sheet steel, 3.0 mm

Surface finish:

Enclosure frame and gland plates: Uncoated
Door, roof and rear panel: Brushed on the outside, grain size 400
Mounting plate: Zinc-plated

Protection category:

IP 55 to EN 60 529/09.2000, complies with NEMA 12.

Supply includes:

Enclosure frame with door(s), mounting plate, gland plates, rear panel and roof, 2 support strips mounted in the enclosure depth (only with a depth of 600 mm).

Note:

Due to the hardness of the material, we recommend using metal multi-tooth screw SZ 2486.300, see page 1011, for the interior installation.

Approvals,

see page 30.

Detailed drawing,

see page 1184.



Rittal service:

TS stainless steel (1.4301), single-door, available on request as free-standing enclosures with fitted side panels in protection category IP 65 to EN 60 529/09.2000 and NEMA 4x; please add extension .640 to the Model No. (see page 917).

Width (B) mm	Packs of	800	1200	600	800	1200	600	800	1200	Page
Height (H) mm		1800	1800	1800	1800	1800	2000	2000	2000	
Depth (T) mm		400	400	500	500	500	600	600	600	
Mounting plate width (F) mm		699	1099	499	699	1099	499	699	1099	
Mounting plate height (G) mm		1696	1696	1696	1696	1696	1896	1896	1896	
Model No. TS	1.4301 (AISI 304)	1	8454.600	8456.600	8457.600	8455.600	8453.600	8452.600	8450.600	8451.600
	1.4404 (AISI 316L)	1	8454.500 ¹⁾	8456.500 ¹⁾	8457.500 ¹⁾	8455.500 ¹⁾	8453.500 ¹⁾	8452.500 ¹⁾	8450.500 ¹⁾	8451.500 ¹⁾
Door(s)		1	2	1	1	2	1	1	2	
Weight (kg)		112.9	170.4	92.5	116.3	174.9	104.4	129.7	194.7	

Walls

Side panels	1.4301 (AISI 304)	2	8700.840	8700.840	8700.850	8700.850	8700.850	8700.060	8700.060	8700.060	917
	1.4404 (AISI 316L)	2	8705.840 ¹⁾	8705.840 ¹⁾	8705.850 ¹⁾	8705.850 ¹⁾	8705.850 ¹⁾	8705.060 ¹⁾	8705.060 ¹⁾	8705.060 ¹⁾	917
Divider panel		1	8609.840	8609.840	8609.850	8609.850	8609.850	8609.060	8609.060	8609.060	921
Divider panel for module plates		1	–	–	8609.100	8609.100	8609.100	8609.130	8609.130	8609.130	922

Base/plinth

Components front and rear	Height 100 mm	1 set	8701.800	8701.200	8701.600	8701.800	8701.200	8701.600	8701.800	8701.200	899
	Height 200 mm	1 set	8702.800	8702.200	8702.600	8702.800	8702.200	8702.600	8702.800	8702.200	899
Trim panels (sides)	Height 100 mm	1 set	8701.040	8701.040	8701.050	8701.050	8701.050	8701.060	8701.060	8701.060	899
	Height 200 mm	1 set	8702.040	8702.040	8702.050	8702.050	8702.050	8702.060	8702.060	8702.060	899
Base/plinth trim, modular		4	2907.000	2907.000	2908.000	2908.000	2908.000	2913.000	2913.000	2913.000	899

Accessories

Cable clamp rails	2	4192.000	4196.000	4191.000	4192.000	4196.000	4191.000	4192.000	4196.000	1061
Cable entry plates	2	8700.800	8700.120 ²⁾	8700.600	8700.800	8700.120 ²⁾	8700.600	8700.800	8700.120 ²⁾	1045
Wiring plan pocket, sheet steel	1	4118.000	4116.000	4116.000	4118.000	4116.000	4116.000	4118.000	4116.000	967

Lock systems

Standard double-bit lock insert may be exchanged for type F lock inserts and comfort handle, see page 947/956.

¹⁾ Delivery times on request. ²⁾ Packs of 4



Supporting structure HD

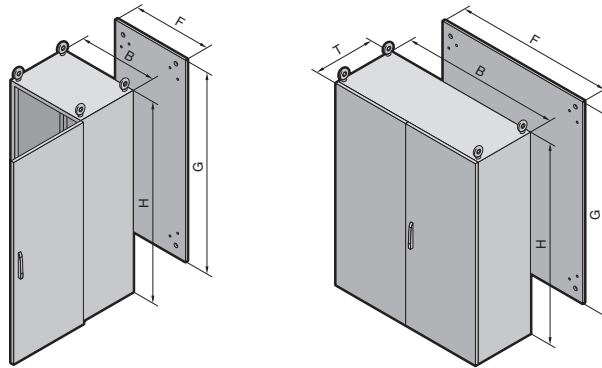
for hygienic, cleaning-optimised assembly of TS 8 enclosures in food production locations. Model No. see page 300.



Sloped attachment HD

For controllable cleaning of the TS 8 enclosures. Available on request.

Free-standing enclosures ES 5000



Material:

Stainless steel
Enclosure: 1.8 mm
Door(s): 2.0 mm
Rear panel: 1.5 mm
Mounting plate:
Sheet steel 3.0 mm

Surface finish:

Enclosure, rear panel and doors:
Brushed, grain size 240
Mounting plate: Zinc-plated

Protection category:

IP 56 to EN 60 529/09.2000
(single-door ES),
IP 55 to EN 60 529/09.2000
(double-door ES),
complies with NEMA 12.

Supply includes:

Enclosure, closed top and sides,
removable rear panel,
r/h door hinge, can be changed
to opposite side,
except ES 5455.600;
130° hinges,
mounting plate,
three-part gland plates.

Note:

Due to the hardness of the
material, we recommend using
metal multi-tooth screw
SZ 2486.300, see page 1011,
for the interior installation.

Approvals,

see page 32.

Detailed drawing,

see page 1188/1189.

Width (B) mm	Packs of	600	600	800	800	1000	1200	Page
Height (H) mm		1600	1800	1800	2000	1800	2000	
Depth (T) mm		400	500	500	600	400	500	
Mounting plate width (F) mm		499	499	699	699	899	1099	
Mounting plate height (G) mm		1496	1696	1696	1896	1696	1896	
Model No. ES	1.4301 (AISI 304)	1	5450.600	5451.600	5452.600	5453.600	5454.600	5455.600
	1.4404 (AISI 316L)	1	5450.500¹⁾	5451.500¹⁾	5452.500¹⁾	5453.500¹⁾	5454.500¹⁾	5455.500¹⁾
Door(s)		1	1	1	1	1	2	
Eyebolts		2	2	2	2	4	4	
Weight (kg)		92.5	169.6	131.8	154.0	146.9	205.4	

Accessories

Base/plinth	Height 100 mm	1	2865.000	2868.000	2866.000	2856.000	2867.000	2860.000	902
	Height 200 mm	1	2875.000	2876.000	2879.000	2880.000	2885.000	2887.000	902
Base/plinth trim, modular		4	2907.000	2908.000	2908.000	2913.000	2907.000	2908.000	899
System support rails		2	4361.000	4361.000	4362.000	4362.000	4347.000	4363.000	1000
Cable clamp rails		2	4191.000	4191.000	4192.000	4192.000	4336.000	4196.000	1061
Mounting bars		20	4596.000	4596.000	4598.000	4598.000	4599.000	4596.000	964
Utility lectern		1	4638.600	4638.600	4638.800	4638.800	-	4638.600	965
Wiring plan pockets		1	4116.000	4116.000	4118.000	4118.000	4124.000	4116.000	967

Lock systems

Standard double-bit lock insert may be exchanged for 27 mm lock inserts, type A, see page 956 and for lock system Ergoform-S, see page 953.

¹⁾ Delivery times available on request.



Cable gland brass,
nickel-plated in IP 68
(5 bar, 30 min),
Model No. see page 1054.



Signal pillar LED compact,
Model No. see page 1125.