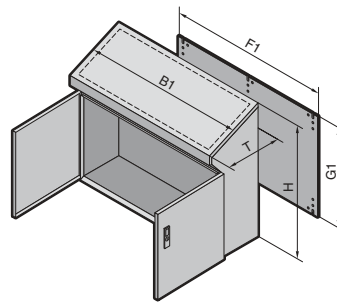
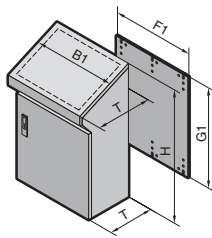


Stainless steel

One-piece consoles AP



1.6 B
Stainless steel

Material:

Stainless steel
Enclosure: 1.5 mm
Door or double door and console lid: 2.0 mm
Mounting plate: Sheet steel 3.0 mm

Surface finish:

Enclosure, door and console lid: Brushed, grain size 120
Mounting plate: Zinc-plated

Protection category:

IP 55 to EN 60 529/09.2000, complies with NEMA 12.

Supply includes:

Enclosure sealed at the rear and sides, door or double door at the front, with locking rod, console lid with lid stay and stainless steel cam latched in the enclosure, two-piece gland plate, mounting plate, zinc-plated.

Approvals,

see page 34.

Detailed drawing,

see page 1192.

Width (B1) mm	Packs of	600	800	1000	1200	Page
Height (H) mm		960	960	960	960	
Depth (T) mm		400/480	400/480	400/480	400/480	
Mounting plate width (F1) mm		530	730	930	1130	
Mounting plate height (G1) mm		780	780	780	780	
Model No. AP	1.4301 (AISI 304)	1	2683.600	2684.600	2685.600	2686.600
	1.4404 (AISI 316L)	1	2683.500¹⁾	2684.500¹⁾	2685.500¹⁾	2686.500¹⁾
Door(s)		1	1	2	2	
Weight (kg)		52.0	65.2	79.5	90.3	

Accessories

Base/plinth	Height 100 mm	1	2865.000	2869.000	2867.000	2870.000	902
	Height 200 mm	1	2875.000	2878.000	2885.000	2886.000	902

Lock systems

Standard double-bit lock insert in the locking rod may be exchanged for 27 mm lock inserts, type A, see page 956 and for the Ergoform-S lock system, see page 953.

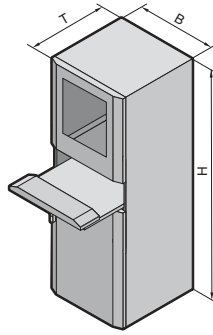
¹⁾ Delivery times available on request.



Stainless steel wall console mounted on the rear panel for an additional operating housing. Model No. see page 316.



Cable gland, brass. Model No. see page 1054.



PC 4650.000

- with keyboard drawer
- Lock insert, lock no. 3524 E
 - Swing-down front for handrest
 - Mouse pad support (also suitable for IP 67 mouse), may optionally be used on the left or right
 - Hinged cable support

Material:

Stainless steel
Enclosure:
10-fold profiled, 1.8 mm
Rear door: 2.0 mm
Gland plates: 1.5 mm
Monitor field with single-pane safety glass for screen diagonal 482.6 mm (19").

Surface finish:

Brushed, grain 240

Protection category:

IP 55 to EN 60 529/09.2000, complies with NEMA 12.

Supply includes:

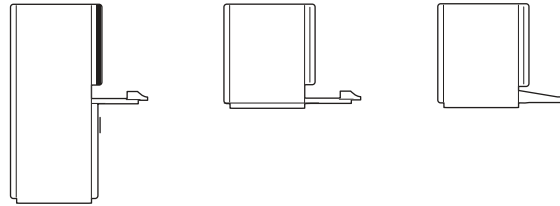
see page 1225.

Available on request:

- Enclosure system PC with mounting compartment, large and drawer
- PC enclosure system with desk section
- PC enclosure system with drawer
- PC enclosure system with desk section

Approvals,
see page 35.

Detailed drawing,
see page 1225.



Design		Packs of	With keyboard drawer	Page
Width (B) mm			600	
Height (H) mm			1600	
Depth (T) mm			620	
Model No. PC	1.4301 (AISI 304)	1	4650.000	
	1.4404 (AISI 316L)	1	4650.500¹⁾	
Weight (kg)			115	
Accessories				
Base/plinth	Height 100 mm	1	2855.000	902
	Height 200 mm	1	2877.000	902
Levelling feet, 100 mm high		1 set	2859.000	907
Base/plinth trim, modular		4	2913.000	899
Adaptor sections, 482.6 mm (19")		4	4632.000	1089
Adaptor pieces, 482.6 mm (19")		8	4547.000	1090
Lock systems				

Standard double-bit lock insert may be exchanged for 27 mm lock inserts, type A, see page 956 or lock cylinder inserts, type B, see page 957.
Lower and rear door prepared for installation of the Ergoform-S lock system, see page 953.

¹⁾ Delivery times available on request.