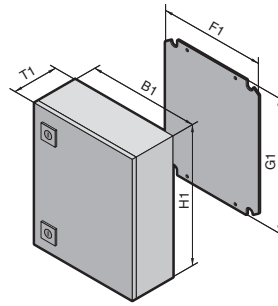


Stainless steel

Compact enclosures AE



1.6 B
Stainless steel

Material:

Stainless steel
Enclosure and door:
Stainless steel
Mounting plate: Sheet steel
Cam lock: Die-cast zinc,
nickel-plated

Surface finish:

Enclosure and door:
Brushed, grain size 240
Mounting plate: Zinc-plated

Protection category:

IP 66 to EN 60 529/09.2000
for AE 1001.XX0 – AE 1017.XX0,
complies with NEMA 4x.

Supply includes:

Enclosure, door(s) with foamed-
in PU seal, mounting plate.

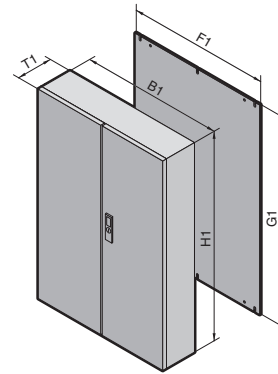
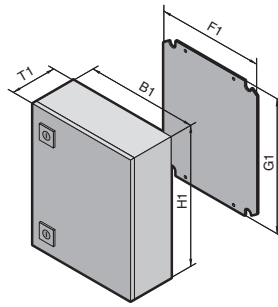
Approvals,
see page 28.

Detailed drawing,
see page 1179.

Width (B1) mm	Packs of	200	200	300	380	380	300	380	600	400	Page	
Height (H1) mm		300	300	300	300	300	380	380	380	500		
Depth (T1) mm		120	155	210	155	210	210	210	210	210		
Mounting plate width (F1) mm		162	162	254	334	334	254	334	549	354		
Mounting plate height (G1) mm		275	275	275	275	275	355	355	355	475		
Model No. AE	1.4301 (AISI 304) with PU seal	1	1001.600	1002.600	1003.600	1004.600	1011.600	1005.600	1006.600	1009.600	1015.600	
	1.4301 (AISI 304) with silicone seal	1	1001.620 ¹⁾	1002.620 ¹⁾	1003.620 ¹⁾	1004.620 ¹⁾	1011.620 ¹⁾	1005.620 ¹⁾	1006.620 ¹⁾	1009.620 ¹⁾	1015.620 ¹⁾	
	1.4404 (AISI 316L) with PU seal	1	1001.500 ¹⁾	1002.500	1003.500 ¹⁾	1004.500 ¹⁾	1011.500 ¹⁾	1005.500	1006.500	1009.500 ¹⁾	1015.500 ¹⁾	
	1.4404 (AISI 316L) with silicone seal	1	1001.520 ¹⁾	1002.520 ¹⁾	1003.520 ¹⁾	1004.520 ¹⁾	1011.520 ¹⁾	1005.520 ¹⁾	1006.520 ¹⁾	1009.520 ¹⁾	1015.520 ¹⁾	
Door		1	1	1	1	1	1	1	1	1		
Weight (kg)		3.6	4.1	6.9	7.4	8.4	8.4	9.8	14.6	12.9		
Accessories												
Rain canopy		1	–	2470.000	2361.000	2471.000	2472.000	2361.000	2472.000	2473.000	–	969
Wall mounting bracket	1.4301 (AISI 304)	4	2433.000	2433.000	2433.000	2433.000	2433.000	2433.000	2433.000	2433.000	2433.000	975
	1.4404 (AISI 316L)	4	2433.500	2433.500	2433.500	2433.500	2433.500	2433.500	2433.500	2433.500	2433.500	975
Wall angle		1	2583.000	2583.000	2583.000	2583.000	2583.000	2583.000	2583.000	2583.000	2583.000	976
Pole clamp		1	2584.000	2584.000	2584.000	2584.000	2584.000	2584.000	2584.000	2584.000	2584.000	976
Cam lock 1.4404 (AISI 316L)		1	2304.000	2304.000	2304.000	2304.000	2304.000	2304.000	2304.000	2304.000	2304.000	955
Lock systems												

Standard double-bit lock insert may be exchanged in enclosures with cam (except AE 1018.600/AE 1019.600) for lock inserts 41 mm, lock cylinder insert, plastic handle, T handles, type C, see page 954 – 957.

¹⁾ Delivery times available on request.



Material:

Stainless steel
Enclosure and door:
Stainless steel
Mounting plate: Sheet steel
Cam lock: Die-cast zinc,
nickel-plated

Surface finish:

Enclosure and door:
Brushed, grain size 240
Mounting plate: Zinc-plated

Protection category:

IP 66 to EN 60 529/09.2000
for AE 1001.XX0 – AE 1017.XX0,
complies with NEMA 4x.
IP 55 to EN 60 529/09.2000
for AE 1018.XX0/AE 1019.XX0,
complies with NEMA 12.

Supply includes:

Enclosure, door(s) with foamed-in seal, 3-point lock system, for AE 1017.XXX and AE 1019.XXX, mounting plate.

Approvals,

see page 28.

Detailed drawing,

see page 1179.

Width (B1) mm	Packs of	500	500	380	600	600	760	800	800	1000	1000	Page	
Height (H1) mm		500	500	600	600	760	760	1000	1200	1000	1200		
Depth (T1) mm		210	300	210	210	210	300	300	300	300	300		
Mounting plate width (F1) mm		449	449	334	549	549	704	739	740	939	940		
Mounting plate height (G1) mm		470	470	570	570	730	730	955	1155	955	1155		
Model No. AE	1.4301 (AISI 304) with PU seal	1	1007.600	1013.600	1008.600	1010.600	1012.600	1014.600	1016.600	1017.600	1018.600	1019.600	
	1.4301 (AISI 304) with silicone seal	1	1007.620 ¹⁾	1013.620 ¹⁾	1008.620 ¹⁾	1010.620 ¹⁾	1012.620 ¹⁾	1014.620 ¹⁾	1016.620 ¹⁾	1017.620 ¹⁾	–	–	
	1.4404 (AISI 316L) with PU seal	1	1007.500 ¹⁾	1013.500 ¹⁾	1008.500 ¹⁾	1010.500	1012.500 ¹⁾	1014.500 ¹⁾	1016.500 ¹⁾	1017.500 ¹⁾	1018.500 ¹⁾	1019.500	
	1.4404 (AISI 316L) with silicone seal	1	1007.520 ¹⁾	1013.520 ¹⁾	1008.520 ¹⁾	1010.520 ¹⁾	1012.520 ¹⁾	1014.520 ¹⁾	1016.520 ¹⁾	1017.520 ¹⁾	–	–	
Door(s)		1	1	1	1	1	1	1	1	2	2		
Weight (kg)		15.7	18.4	15.1	23.5	30.2	42.5	52.9	61.5	71.0	76.0		

Accessories

Rain canopy	1	2362.000	–	2472.000	2473.000	2473.000	2474.000	2475.000	2475.000	2363.000	2363.000	969
Wall mounting bracket	1.4301 (AISI 304)	4	2433.000	2433.000	2433.000	2433.000	2433.000	2433.000	2433.000	2433.000	2433.000	975
	1.4404 (AISI 316L)	4	2433.500	2433.500	2433.500	2433.500	2433.500	2433.500	2433.500	2433.500	2433.500	975
Wall angle	1	2583.000	2583.000	2583.000	2583.000	2583.000	2583.000	2583.000	2583.000	2583.000	2583.000	976
Pole clamp	1	2584.000	2584.000	2584.000	2584.000	2584.000	–	–	–	–	–	976
Cam lock 1.4404 (AISI 316L)	1	2304.000	2304.000	2304.000	2304.000	2304.000	2304.000	2304.000	–	2304.000	–	955

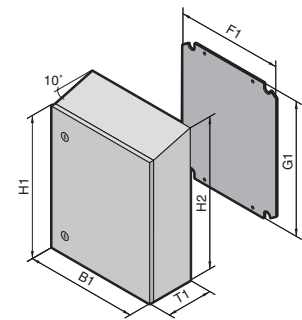
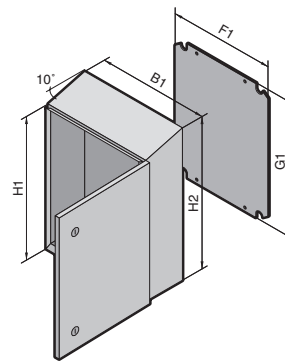
Lock systems

Standard double-bit lock insert may be exchanged in enclosures with cam (except AE 1017.600/AE 1019.600) for lock inserts 41 mm, lock cylinder insert, plastic handle, T handles, type C, see page 954 – 957.
With AE 1018.600, may only be exchanged for 41 mm lock inserts, type C, see page 956.
For enclosures with locking rod, may be exchanged for 27 mm lock inserts, type A, see page 956 and Ergoform-S lock system, see page 953.

¹⁾ Delivery times available on request.

Stainless steel

Compact enclosures AE, protection category IP 69K



Stainless steel

1.6

Perfect protection in a tough environment

The compact enclosure AE to IP 69K is the ideal solution when a high protection category, corrosion resistance and optimum cleanability are needed.

- **Resistant to high-pressure cleaning** (protection category IP 69K). The interior seal is protected against direct hosed water.
- Ideal for mounting on vehicles: Lock, hinges and mounting plate are all vibration resistant.
- 10° roof tilt prevents liquids from accumulating on the roof.

- Foamed-in silicone seal. The closed cell structure of the foam means that water absorption is negligible. Temperature resistant from -60°C to +180°C.

Material:

Enclosure and door: Stainless steel 1.4301 (AISI 304)
Mounting plate: Sheet steel

Surface finish:

Enclosure and door: Brushed, grain size 240
Mounting plate: Zinc-plated

Protection category:

IP 69K to DIN 40 050-9, complies with NEMA 4x.

Supply includes:

Enclosure sealed all round, single-door, door hinge may be swapped to opposite side, cam lock with double-bit insert, mounting plate.



Rittal service:

Other sizes available on request. Cut-outs and drilled holes to your specifications.

Detailed drawing, see page 1221.

Width (B1) mm	Packs of	230	400	400	650	Page
Height, front (H1) mm		330	400	650	650	
Height, rear (H2) mm		352	439	689	689	
Depth (T1) mm		155	250	250	250	
Mounting plate width (F1) mm		162	334	334	549	
Mounting plate height (G1) mm		275	355	570	570	
Mounting plate thickness mm		2	2	2.5	2.5	
Model No. AE	1	1101.110	1101.120	1101.130	1101.140	
Locks		1	1	2	2	
Accessories						
Interior door	1	1101.910	1101.920	1101.930	1101.940	939
Door stay	1	1101.800	1101.800	1101.800	1101.800	967
Wall mounting bracket	4	2433.000	2433.000	2433.000	2433.000	975



Door, internal
with 4 (2 for 1101.110) bolts for universal installation.



Wall mounting
directly from the rear via M8 nut or with wall mounting bracket, see page 975.