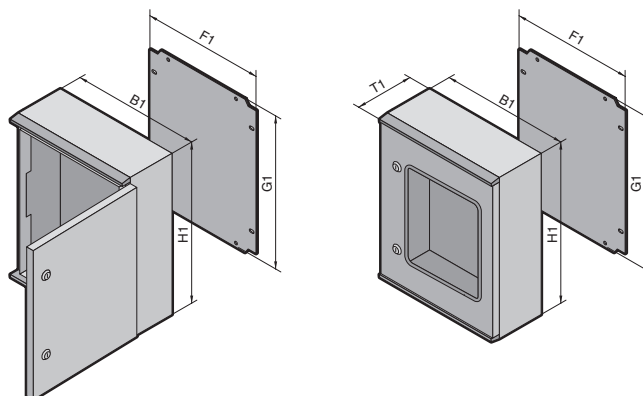


Plastic enclosures KS

Width: 200 – 600, height: 300 – 600

1.2 B Plastic enclosures KS



Material:

Enclosure and door:
Fibreglass-reinforced
unsaturated polyester
Mounting plate:
Sheet steel
For KS with viewing window:
Glazed acrylic,
3.0 mm with all-round rubber
cable clamp strip

Surface finish:

Enclosure and door:
No after-treatment,
dyed plastic,
similar to RAL 7035
Mounting plate: Zinc-plated

Protection category:

KS without viewing window:
IP 66 to EN 60 529/09.2000,
complies with NEMA 4x.

KS with viewing window:
IP 56 to EN 60 529/09.2000,
complies with NEMA 12.

Supply includes:

Enclosure of solid all-round
construction, r/h door hinge,
may be swapped to opposite
side by rotating the enclosure,
mounting plate,
all-round foamed-in PU seal in
the door,
twin seal on the top and bottom
edges (integral rain protection
strip), press-fitted C sections at
the sides for infinitely variable
mounting plate depth adjust-
ment.

Note:

Under the influence of long-term
UV radiation (sunlight) in con-
junction with wind and rain,
the surface finish may become
visually impaired.
In other words, the fibreglass
becomes visible on unprotected
surfaces. This does not impair
the protection of the installed
electrical components in any
way. All other surface finishes
are likewise impaired by ultra-
violet radiation.
If the enclosures cannot be pro-
tected from radiation, e.g. via a
sun canopy, we recommend that
they should be painted with a
PUR paint. Older enclosures
where the surface finish already
reveals visible fibreglass can

likewise be treated in this way
after thorough cleaning.
Of course, all enclosures can
also be supplied spray-finished
in RAL colours. For outdoor
siting, we recommend pale
shades.
Permissible ambient tempera-
ture -30°C to $+75^{\circ}\text{C}$.

Approvals,
see page 29.

Detailed drawing,
see page 1182.

	Packs of	Without viewing window							With viewing window			
Width (B1) mm		200	250	300	400	400	500	600	400	400	500	600
Height (H1) mm		300	350	400	400	600	500	600	400	600	500	600
Depth (T1) mm		150	150	200	200	200	300	200	200	200	300	200
Mounting plate width (F1) mm		145	195	245	345	345	417	545	345	345	417	545
Mounting plate height (G1) mm		250	300	350	350	550	450	550	350	550	450	550
Mounting plate thickness mm		2.0	2.0	2.0	2.5	2.5	2.5	2.5	2.5	2.5	2.5	2.5
Model No. KS	1	1423.500	1432.500	1434.500	1444.500	1446.500	1453.500	1466.500	1448.500	1449.500	1454.500	1467.500
Door(s)		1	1	1	1	1	1	1	1	1	1	1
Weight (kg)		3.0	4.1	6.0	7.9	11.5	12.9	15.9	8.0	11.5	13.4	15.9

Lock systems

Standard double-bit lock insert may be exchanged for lock inserts, type E, see page 956, and plastic handles, type E, see page 954.



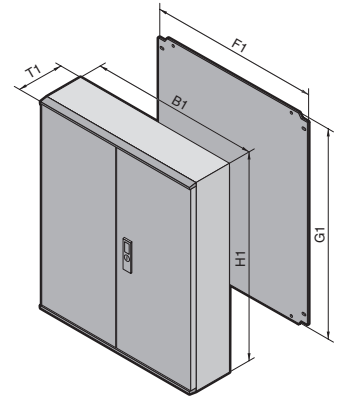
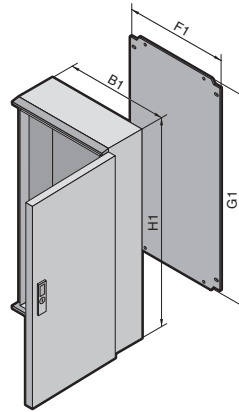
Cable gland, polyamide,
Model No. see page 1054.



Wall mounting bracket,
Model No. see page 975.

Plastic enclosures KS

Width: 600 – 1000, height: 800 – 1000



Plastic enclosures KS
B
1.2

Material:

Enclosure and door:
Fibreglass-reinforced
unsaturated polyester
Mounting plate:
Sheet steel
For KS with viewing window:
Glazed acrylic, 3.0 mm
with all-round rubber cable
clamp strip

Surface finish:

Enclosure and door:
No after-treatment,
dyed plastic,
similar to RAL 7035
Mounting plate: Zinc-plated

Protection category:

IP 56 to EN 60 529/09.2000,
complies with NEMA 12.
IP 66 to EN 60 529/09.2000,
complies with NEMA 4 for
KS 1468.500, KS 1480.500.

Supply includes:

Enclosure of solid all-round
construction, r/h door hinge,
may be swapped to opposite
side by rotating the enclosure
(only with single-door models),
mounting plate, all-round
foamed-in PU seal in the door,
twin seal on the top and bottom
edges (integral rain protection
strip), press-fitted C sections at
the sides for infinitely variable
mounting plate depth adjust-
ment.

KS 1400.500 additionally with
removable centre bar in the
enclosure.

Note:

Under the influence of long-term
UV radiation (sunlight) in con-
junction with wind and rain,
the surface finish may become
visually impaired.
In other words, the fibreglass
becomes visible on unprotected
surfaces. This does not impair
the protection of the installed
electrical components in any
way. All other surface finishes
are likewise impaired by ultra-
violet radiation.
If the enclosures cannot be pro-
tected from radiation, e. g. via a
sun canopy, we recommend that
they should be painted with a
PUR paint. Older enclosures
where the surface finish already
reveals visible fibreglass can
likewise be treated in this way
after thorough cleaning.

Of course, all enclosures can
also be supplied spray-finished
in RAL colours. For outdoor
siting, we recommend pale
shades.
Permissible ambient tempera-
ture -30°C to $+75^{\circ}\text{C}$.

Approvals,
see page 29.

Detailed drawing,
see page 1183.

	Packs of	Without viewing window			With viewing window	
Width (B1) mm		600	800	1000	600	800
Height (H1) mm		800	1000	1000	800	1000
Depth (T1) mm		300	300	300	300	300
Mounting plate width (F1) mm		517	717	917	517	717
Mounting plate height (G1) mm		750	950	950	750	950
Mounting plate thickness mm		3.0	3.0	3.0	3.0	3.0
Model No. KS	1	1468.500	1480.500	1400.500	1469.500	1479.500
Door(s)		1	1	2	1	1
Weight (kg)		26.0	39.0	50.0	25.5	33.0

Lock systems

Standard double-bit lock insert may be exchanged for lock inserts, type E, see page 956, and Ergoform-S lock system, KS 1490.010, see page 953.



Cable ducts,
Model No. see page 1060.



Signal pillar LED compact,
protection category IP 65,
Model No. see page 1125.