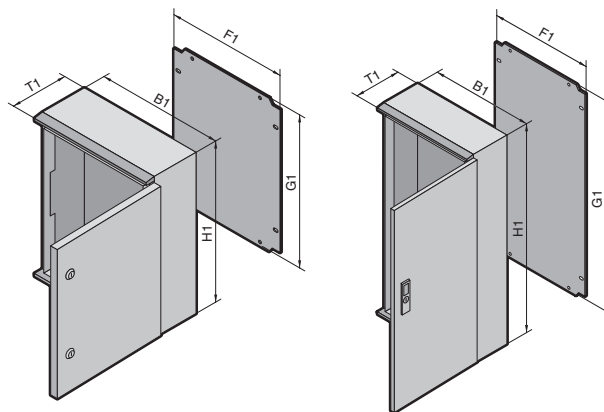


# Ex enclosures

## Plastic



1.7 B  
Ex enclosures

**Material:**

Enclosure: Fibreglass-reinforced unsaturated polyester  
Surface resistance: <math>< 10^9 \Omega</math>  
Mounting plate:  
Sheet steel, zinc-plated, passivated

**Colour:**

RAL 9011

**Protection category:**

IP 66 to EN 60 529/09.2000  
KEL 9209.600:  
IP 56 to EN 60 529/09.2000

**Supply includes:**

Enclosure, door with all-round foamed-in PU seal, mounting plate.

**Certificates:**

PTB 03 ATEX 1011U

**Approvals,**  
see page 42.

**Detailed drawing,**  
see page 1182/1183.

Width (B1) mm	Packs of	200	250	300	400	400	500	600	600	800
Height (H1) mm		300	350	400	400	600	500	600	800	1000
Depth (T1) mm		150	150	200	200	200	300	200	300	300
Mounting plate width (F1) mm		145	195	245	345	345	417	545	517	717
Mounting plate height (G1) mm		250	300	350	350	550	450	550	750	950
<b>Model No. KEL</b>	<b>1</b>	<b>9201.600</b>	<b>9202.600</b>	<b>9203.600</b>	<b>9204.600</b>	<b>9205.600</b>	<b>9207.600</b>	<b>9206.600</b>	<b>9208.600</b>	<b>9209.600</b>
Number of cams		1	1	2	2	2	2	2	1)	1)
Weight (kg)		3.7	4.6	6.0	6.5	11.5	12.9	15.9	24.3	39.0

<sup>1)</sup> 3-point lock system.



**Wall mounting bracket,**  
Model No. see page 975.



**Baying system TS 8,**  
prepared for Ex pressurisation,  
Model No. see page 152.