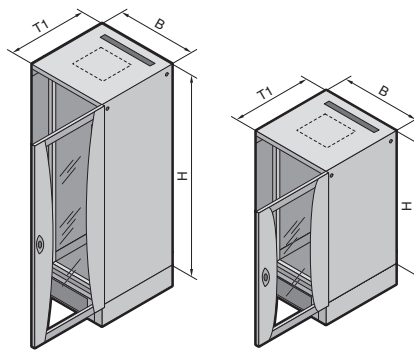


# Networking

## Network enclosures, based on Rittal TE 7000, pre-configured



### Benefits:



- 19" mounting angles front and rear always included
- No frame structure, optimum accessibility
- Load capacity up to 400 kg, static
- Pre-configured solution, including extensive accessory kit

### Material:

Sheet steel

### Surface finish:

Mounting frame:  
Electrophoretic dipcoat-primed  
Enclosure panels:  
Powder-coated, RAL 7035

	Pre-configured	Pre-configured	Page
			

	7000.840	7000.850	
<b>U</b>	24	42	
<b>Width (B) mm<sup>1)</sup></b>	800	800	
<b>Height (H) mm<sup>1)</sup></b>	1200	2000	
<b>Depth (T1) mm<sup>1)</sup></b>	800	800	
Distance between 482.6 mm (19") mounting angles in its delivered state mm	495	495	
<b>Model No. TE</b>	<b>7000.840</b>	<b>7000.850</b>	
<b>Model No. TE as bayed enclosure without side panels, including baying kit</b>	–	<b>7000.852</b>	

### Supply includes

Self-supporting 482.6 mm (19") frame structure, depth-variable at the front and rear	■	■	
Glazed door at the front, including 130° hinge, two-point locking rod, recessed handle and security lock 3524 E	■	■	
Sheet steel door at the rear, including 130° hinge, two-point locking rod and security lock 3524 E	■	■	
Pluggable weight-reduced side panels, including security lock 3524 E	■	■ (7000.850 only)	
Base frame with maximum cut-out (for optional population with modular panels, solid, with passive ventilation or for cable entry)	■	■	
Roof plate including brush strip for cable entry and concealed cut-out for population via the active fan plate	■	■	
4 levelling feet (including base/plinth adaptor) supplied loose	■	■	
Spacers, 20 mm, supplied loose to raise the roof	■	■	
Base/plinth 100 mm, vented	■	■	
Tested frame earthing to EN 60 950, fitted	■	■	

### Accessory kit

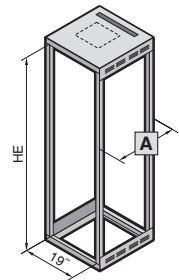
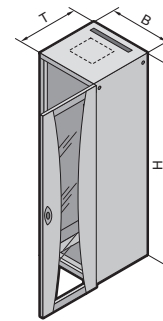
4 C rails, for cable clamping in the enclosure depth via cable clamps, supplied loose	■	■	
10 cable shunting rings made of plastic, 105 x 70 mm, supplied loose	■	■	
50 captive nuts, M6, conductive, supplied loose	■	■	
50 multi-tooth screws, M6, with plastic washers, supplied loose	■	■	

### Premium accessories TE, for direct mounting in the delivered state

Ergoform-S handle for semi-cylinder, to exchange for the existing lock	2435.000	2435.000	953
Fan module, with 2 fans and thermostat, pre-wired ready for connection	7000.670	7000.670	705
Slide rail for TE, for attachment between the 482.6 mm (19") mounting frames, length 424 mm	7963.410	7963.410	1098
19" component shelf for static installation, for direct screw fastening without an installation kit, 412 mm deep, load capacity 30 kg, static	7000.620	7000.620	1018
Punched section with mounting flange 17 x 73 mm, for mounting installation components, attached in the enclosure depth between the 482.6 mm (19") mounting frames	8612.040	8612.040	993
C rail, for cable clamping in the enclosure depth via cable clamps	■	■	
C rail, for cable clamping in the enclosure width via cable clamps, on the 482.6 mm (19") mounting frame at the rear	7828.060	7828.060	1000
Cable clamp rail, depth-variable 325 – 575 mm, for cable attachment in the enclosure depth via cable ties	7858.160	7858.160	1068
Cable clamp rail, for cable attachment in the enclosure width via cable ties, on the 482.6 mm (19") mounting frame at the rear	7828.062	7828.062	1068
Earthing kit for TE	■	■	
Economy socket strip, 8-way for earthing-pin plugs (German version only)	7000.630	7000.630	1041

■ Included with the supply. <sup>1)</sup> All sizes are nominal dimensions. For absolute dimensions, please refer to the detailed drawing on the Internet.

## Network enclosures, based on Rittal TE 7000, width 600



**A** = Defined mounting distance for Premium accessories, see below.

### Benefits:

- Configured to order
- No frame structure, optimum accessibility
- Load capacity up to 400 kg, static

### Material:

Sheet steel

### Surface finish:

Mounting frame: Electrophoretic dipcoat-primed Enclosure panels: Powder-coated, RAL 7035/RAL 9005

### Supply includes:

Self-supporting 482.6 mm (19") frame structure, glazed door at the front, two-point locking rod,

recessed handle and security lock 3524 E, sheet steel door at rear, two-point locking rod and security lock 3524 E, plug-in side panels with security lock 3524 E, base frame with maximum cut-out (for optional population with module plates), roof plate for cable entry with concealed cut-out for fan,

levelling feet, spacers for raising the cover plate.

**Detailed drawing,** available on the Internet.

<b>U (HE)</b>	11	11	24	24	42	42	47	47	
<b>Width (B) mm<sup>1)</sup></b>	600	600	600	600	600	600	600	600	
<b>Height (H) mm<sup>1)</sup></b>	600	600	1200	1200	2000	2000	2200	2200	
<b>Depth (T) mm<sup>1)</sup></b>	600	800	600	800	600	800	600	800	
Distance between 482.6 mm (19") levels in its delivered state <b>A</b> mm	495	495	495	495	495	495	495	495	
<b>Model No. TE, RAL 7035</b>	<b>7000.390</b>	<b>7000.410</b>	<b>7000.430</b>	<b>7000.440</b>	<b>7000.500</b>	<b>7000.510</b>	<b>7000.560</b>	<b>7000.570</b>	
<b>Model No. TE as a bayed enclosure without side panels, including baying kit, RAL 7035</b>	–	–	–	–	<b>7000.502</b>	–	<b>7000.562</b>	–	
<b>Model No. TE including side panels, RAL 9005</b>	–	–	–	–	<b>7000.505<sup>2)</sup></b>	<b>7000.515<sup>2)</sup></b>	–	–	

<sup>1)</sup> All sizes given are nominal dimensions. For absolute dimensions, please refer to the detailed drawing on the Internet. <sup>2)</sup> Delivery times available on request.

**A** 495 mm – this is the distance between the two 482.6 mm (19") levels for all enclosure formats in their delivered state. Complies with TS 8 nominal depth 400 mm, inner level.

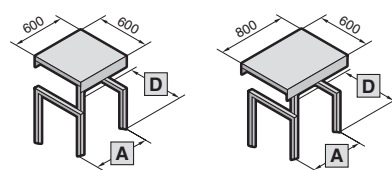
**B** Pitch spacing 50 mm. The distance between the two 482.6 mm (19") levels may be varied in increments of 50 mm (445 to 695 mm).

**C** Distance from door: 52.5 mm for depth 600  
152.5 mm for depth 800

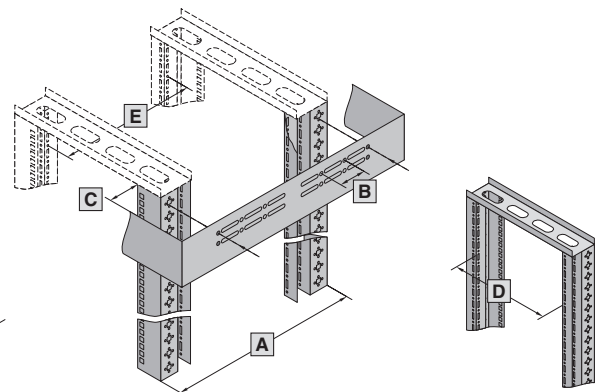
**D** The mounting distance in a rear mounting frame, horizontal, corresponds to the frame mounting dimensions of a 600 mm wide TS 8 (inner level, 512 mm).

$$E = A - 120 \text{ mm}$$

The distance between levels is freely selectable via the slot fastening. All key mounting components – punched sections with mounting flanges, installation kits, slide rails, component shelves – are also available in a depth-variable version.

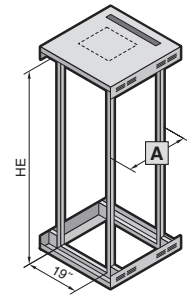
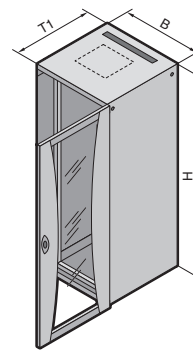


**German registered design no. M 403 07 489**



# Networking

## Network enclosures, based on Rittal TE 7000, width 800



**A** = Defined mounting distance for Premium accessories, see below.

### Benefits:

- Configured to order
- No frame structure, optimum accessibility
- Load capacity up to 400 kg, static

### Material:

Sheet steel

### Surface finish:

Mounting frame: Electrophoretic dipcoat-primed  
Enclosure panels: Powder-coated, RAL 7035/RAL 9005.

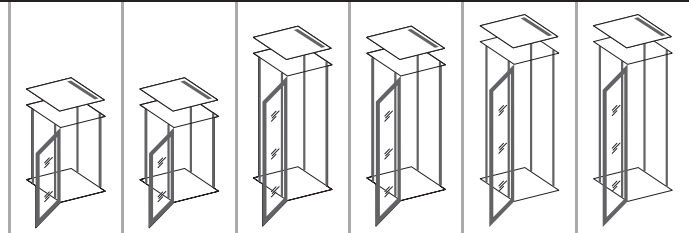
### Supply includes:

Self-supporting 482.6 mm (19") frame structure, glazed door at the front,

two-point locking rod, recessed handle and security lock 3524 E, sheet steel door at rear, two-point locking rod and security lock 3524 E, plug-in side panels with security lock 3524 E, base frame with maximum cut-out (for optional population with module plates), roof plate for cable entry with concealed cut-

out for fan, levelling feet, spacers for raising the cover plate.

**Detailed drawing,** available on the Internet.



<b>U (HE)</b>	24	24	42	42	47	47
<b>Width (B) mm<sup>1)</sup></b>	800	800	800	800	800	800
<b>Height (H) mm<sup>1)</sup></b>	1200	1200	2000	2000	2200	2200
<b>Depth (T1) mm<sup>1)</sup></b>	600	800	600	800	600	800
Distance between 482.6 mm (19") levels in its delivered state <b>A</b> mm	495	495	495	495	495	495
<b>Model No. TE, RAL 7035</b>	<b>7000.450</b>	<b>7000.460</b>	<b>7000.520</b>	<b>7000.530</b>	<b>7000.580</b>	<b>7000.590</b>
<b>Model No. TE as a bayed enclosure without side panels, including baying kit, RAL 7035</b>	–	–	–	<b>7000.532</b>	–	<b>7000.592</b>
<b>Model No. TE including side panels, RAL 9005</b>	–	–	<b>7000.525<sup>2)</sup></b>	<b>7000.535<sup>2)</sup></b>	–	–

<sup>1)</sup> All sizes given are nominal dimensions. For absolute dimensions, please refer to the detailed drawing on the Internet. <sup>2)</sup> Delivery times available on request.

**A** 495 mm – This is the distance between the two 482.6 mm (19") levels for all enclosure formats in their delivered state. Complies with TS 8 nominal depth 400 mm, inner level.

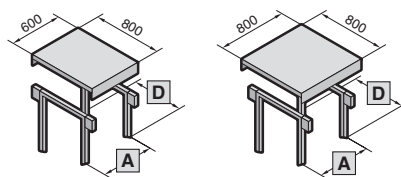
**B** Pitch spacing 50 mm. The distance between the two 482.6 mm (19") levels may be varied in increments of 50 mm (445 to 695 mm).

**C** Distance from door: 52.5 mm for depth 600  
152.5 mm for depth 800

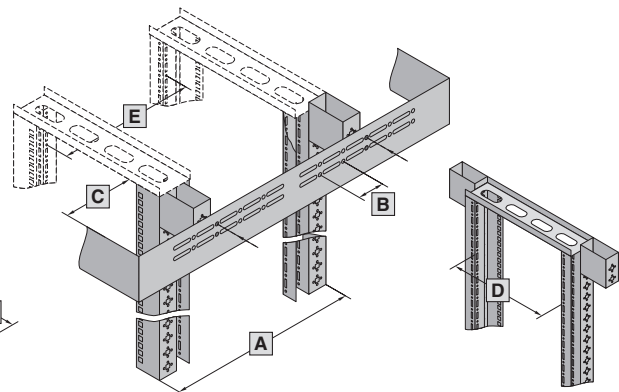
**D** The mounting distance in a rear mounting frame, horizontal, corresponds to the frame mounting dimensions of a 600 mm wide TS 8 (inner level, 512 mm).

**E** = **A** – 120 mm

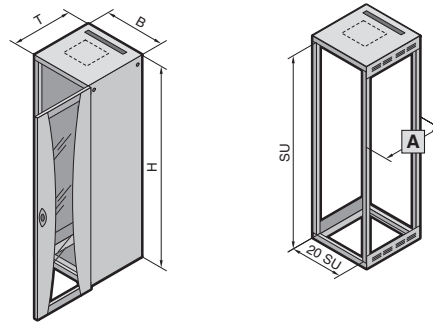
The distance between levels is freely selectable via the slot fastening. All key mounting components – punched sections with mounting flanges, installation kits, slide rails, component shelves – are also available in a depth-variable version.



### German registered design no. M 403 07 489



## Network enclosures, based on Rittal TE 7000, metric attachment levels



### Benefits:

- Configured to order
- No frame structure, optimum accessibility
- Load capacity up to 400 kg, static

### Material:

Sheet steel

### Surface finish:

Nanoceramic coating, electrophoretic dipcoat-priming, powder-coating in RAL 7035.



### Supply includes:

Self-supporting metric frame structure, glazed door at the front, two-point locking rod, recessed handle and security lock 3524 E,

sheet steel door at rear, two-point locking rod and security lock 3524 E, plug-in side panels with security lock 3524 E, base frame with maximum cut-out (for optional population with module plates), roof plate for cable entry with concealed cut-out for fan, spacers for raising the cover plate, levelling feet.

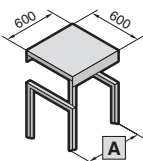
### Detailed drawing,

available on the Internet.

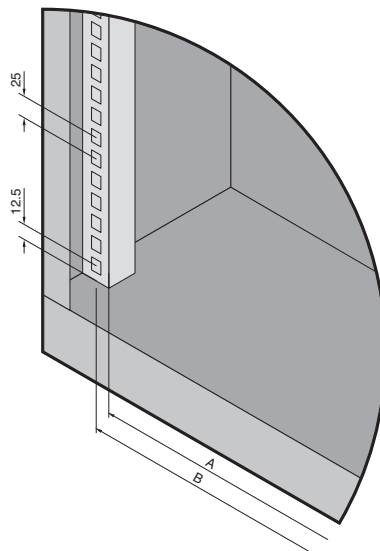
		
<b>SU</b>	76	82
<b>Width (B) mm<sup>2)</sup></b>	600	600
<b>Height (H) mm<sup>2)</sup></b>	2000	2200
<b>Depth (T) mm<sup>2)</sup></b>	600	600
Distance between metric levels as delivered <b>A</b> mm	495	495
<b>Model No. TE</b>	<b>7000.508<sup>1)</sup></b>	<b>7000.568<sup>1)</sup></b>
<b>Model No. TE as bayed enclosure without side panels, including baying kit</b>	<b>7000.504<sup>1)</sup></b>	<b>7000.564<sup>1)</sup></b>

<sup>1)</sup> Delivery times on request. <sup>2)</sup> All sizes given are nominal dimensions. For absolute dimensions, please refer to the detailed drawing on the Internet.

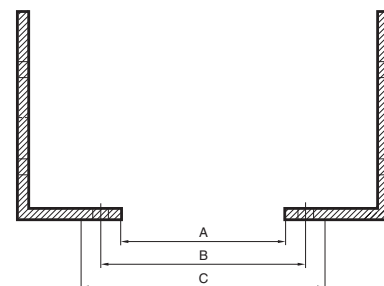
**A** 495 mm – This is the distance between the two metric levels for all enclosure formats in their delivered state. Complies with TS 8 nominal depth 400 mm, inner level. The distance between levels is freely selectable via the slot fastening.



### Size systems



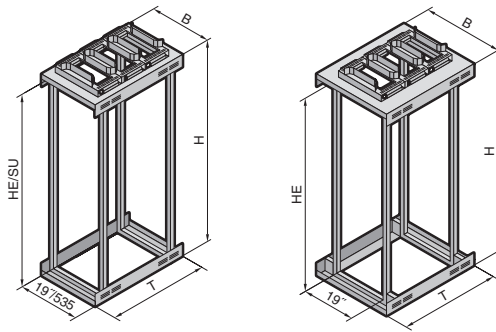
### Explanation of the fastening dimensions Interior installations



Installation width	A mm	B mm	C mm
20 SU	500	515	535

A = Clearance width  
B = Mounting dimension  
C = External dimension of slide-in equipment or front panel

## TE 7000 open



### Benefits:

Unlimited applications covering all tasks in the IT sector. Both as a network distribution frame with maximum accessibility from all sides for assembly and installation, and as a server rack with a high load capacity of up to 700 kg. Unrestricted airflow, due to the open design. The standard cable trays in the roof area mean that even large quantities of cables are easily routed to the various levels without kinks.

In a bayed configuration, the 800 mm width in particular offers plenty of space for cable routing between units. There is an extensive range of accessories available for individual cable management solutions. The distance between attachment levels is infinitely variable.

### Material:

Sheet steel

### Surface finish:

Powder-coated, RAL 7035

### Load capacity:

700 kg, static

### Supply includes:

Self-supporting frame structure, with a 482.6 mm (19") or metric attachment level front and rear depending on the design. Open roof frame for cable entry, 3 cable routing trays. Open base frame with 2 punched sections with mounting flanges for individual configuration in the width, levelling feet.

**Detailed drawing,** available on the Internet.

<b>U/SU (HE/SU)</b>	42/76	47/82	42/-	47/-
<b>Width (B) mm</b>	600	600	800	800
<b>Height<sup>3)</sup> (H) mm</b>	2000	2200	2000	2200
<b>Depth (T) mm</b>	1000	1000	1000	1000
<b>Distance between levels (mm) as delivered</b>	745	745	745	745
<b>Model No. TE with 482.6 mm (19") attachment level</b>	<b>7000.940</b>	<b>7000.942</b>	<b>7000.944</b>	<b>7000.946</b>
<b>Model No. TE with metric (535 mm) attachment level</b>	<b>7000.960<sup>1)</sup></b>	<b>7000.962<sup>1)</sup></b>	–	–
<b>482.6 mm (19") accessories</b>	Packs of			
Cable management panel 482.6 mm (19"), 1 U for horizontal cable routing, with 5 steel rings, zinc-plated, passivated, size 100 x 37 mm	1	7257.035	7257.035	7257.035
Cable management panel 482.6 mm (19"), 2 U for horizontal cable routing, with 5 steel rings, zinc-plated, passivated, size 120 x 80 mm	1	7257.100	7257.100	7257.100
Shunting rings to accommodate large quantities of cables, or mounting on the side of the mounting frame, dimension 300 x 90 mm	2	7220.600	7220.600	7220.600
Cable management panel 482.6 mm (19"), 2 U for horizontal cable routing, with removable front panel	1	7158.100	7158.100	7158.100
Component shelf 482.6 mm (19"), 1/2 U static installation, depth-variable in the range from 600 – 900 mm	1	7063.720 <sup>2)</sup>	7063.720 <sup>2)</sup>	7063.720
Slide rail 482.6 mm (19"), load capacity 100 kg, static for distance between 482.6 mm (19") levels (internal) 740 mm	2	7063.740 <sup>2)</sup>	7063.740 <sup>2)</sup>	7063.740
Slide rail 482.6 mm (19"), depth-variable within the range from 590 – 930 mm, load capacity 80 kg, static	2	7063.883 <sup>2)</sup>	7063.883 <sup>2)</sup>	7063.883
C rail, variable within the range 450 – 850 mm	1	7016.140	7016.140	7016.140
T-head rail, variable within the range 450 – 850 mm	1	7016.150	7016.150	7016.150
Cable route for vertical cable management, for mounting at the side rear of the 482.6 mm (19") mounting frame, W = 100 mm, H = 1700 mm	1 set	7000.685	7000.685	7000.685

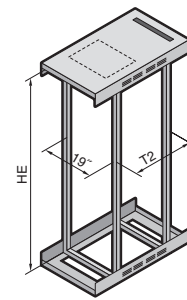
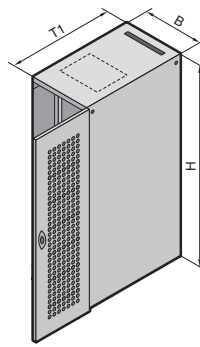
<sup>1)</sup> Delivery times available on request.

<sup>2)</sup> Not suitable for use with a metric attachment level.

<sup>3)</sup> Plus 100 mm roof-mounting/cable-routing trays.

# Server racks

Based on Rittal TE 7000, 1000 mm deep



### Benefits:

- No frame structure, optimum accessibility

### Static load capacity:

700 kg

### Material:

Sheet steel

### Surface finish:

Mounting frame:  
Dipcoat-primed  
Enclosure panels:  
Powder-coated, RAL 7035/9005.

### Supply includes:

Self-supporting 482.6 mm (19") frame structure, vented sheet steel door front and rear, two-point locking rod, recessed handle (front) and security lock 3524 E, roof plate

with brush strip for cable entry and concealed cut-out for fan integration, levelling feet.

**Detailed drawing,** available on the Internet.

<b>U (HE)</b>		42	42	42	42
<b>Width (B) mm<sup>1)</sup></b>		600	600	800	800
<b>Height (H) mm<sup>1)</sup></b>		2000	2000	2000	2000
<b>Depth (T1) mm<sup>1)</sup></b>		1000	1000	1000	1000
Distance between 482.6 mm (19") levels in its delivered state (T2) mm		745	745	745	745
<b>Model No. TE</b>	RAL 7035	<b>7000.882</b>	–	<b>7000.892</b>	–
<b>as bayed enclosure without side panels, including baying kit</b>	RAL 9005	–	<b>7000.885</b>	–	<b>7000.895</b>
<b>Doors</b>					
Sheet steel door front and rear, fully vented; open surface area > 67 % perforated		■	■	■	■
<b>Roof</b>					
Roof plate including brush strip for cable entry and with an optional fan		■	■	■	■
<b>Base</b>					
Base frame with maximum cut-out for cable entry or passive ventilation. Can be fitted with optional blanking panels.		■	■	■	■
<b>Interior installation</b>					
482.6 mm (19") mounting frames front and rear		■	■	■	■
<b>Accessories</b>					
Side panels, pluggable, including security lock 3524 E		<b>7000.653</b>	<b>7000.663</b>	<b>7000.653</b>	<b>7000.663</b>
Ergoform-S handle for semi-cylinder, to exchange for the existing lock		2435.000	2452.000 <sup>2)</sup>	2435.000	2452.000 <sup>2)</sup>
Fan unit, with 2 fans and thermostat, prewired ready for connection		7000.670	7000.671 <sup>3)</sup>	7000.670	7000.671 <sup>3)</sup>
Transport castors, 4 castors including assembly parts		7000.672	7000.672	7000.672	7000.672
C rail, for cable clamping in the enclosure width via cable clamps, on the 482.6 mm (19") mounting frame at the rear		7828.060	7828.060	7828.060	7828.060
Cable clamp rail, depth-variable 500 – 895 mm, for cable attachment in the enclosure depth via cable ties		7858.162	7858.162	7858.162	7858.162
Cable clamp rail, for cable attachment in the enclosure width via cable ties, on the 482.6 mm (19") mounting frame at the rear		7828.062	7828.062	7828.062	7828.062
Earthing kit for TE		7000.675	7000.675	7000.675	7000.675
TE socket strip, 8-way for earthing-pin plugs		7000.630	7000.630	7000.630	7000.630

■ Included with the supply. <sup>1)</sup> All sizes are nominal dimensions. For absolute dimensions, refer to detailed drawings on the Internet. <sup>2)</sup> Matt nickel-plated.