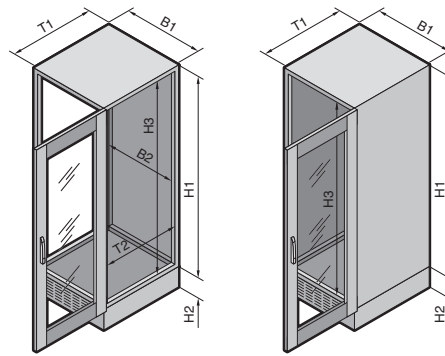


Network enclosures, based on Rittal TS 8, pre-configured



Material:

Sheet steel

Surface finish:

Enclosure frame:
Dipcoat-primed
Doors, roof and base/plinth:
Dipcoat-primed,
powder-coated in RAL 7035
Gland plates, punched sections
with mounting flanges and
mounting angles:
Zinc-plated, passivated

Supply includes:

Enclosure frame with doors or rear panel, roof plate, vented base/plinth 100 mm, earthing of all enclosure panels;
Supplied loose:
Levelling feet incl. base/plinth adaptor,
4 spacers for raising the roof,
4 cable clamp rails for the inner frame level,
10 cable shunting rings (105 x 70 mm, plastic, for DK 7930.100 in 44 x 70 mm),
50 captive nuts M6, conductive,
50 multi-tooth screws M6.

Version 1

Designer glazed door at the front, 180°, with comfort handle for semi-cylinder and security lock 3524 E;
Sheet steel door at the rear, 130°, with swivel handle and security lock 3524 E.
482.6 mm (19") mounting angles, front, fitted approx. 150 mm behind the frame front edge, screw-fastened to the TS punched sections with mounting flange as depth stays.
Gland plate, one-piece, vented, with cable entry.

Version 2

Designer glazed door at the front, 180°, with comfort handle for semi-cylinder and security lock 3524 E;
Sheet steel door at the rear, 130°, with swivel handle and security lock 3524 E.
482.6 mm (19") mounting angles at the front and rear, distance between levels pre-configured at 498 mm. Cranked mounting angles screw-fastened to installation brackets approx. 150 mm behind the frame front edge.
Gland plate at the front, fitted as an infill panel.

Detailed drawing,
available on the Internet.

	Version 1	Version 2	Version 2	Version 2
U	24	38	42	47
Width (B1) mm¹⁾	600	800	800	800
Height (H1 + H2) mm¹⁾	1200 + 100	1800 + 100	2000 + 100	2200 + 100
Depth (T1) mm¹⁾	600	800	800	800
Clearance width (B2) mm	512	712	712	712
Clearance height (H3) mm	1112	1712	1912	2112
Clearance depth (T2) mm	512	712	712	712
Model No. DK including 2 plug-in side panels, with security lock 3524 E	7930.100³⁾	7930.800³⁾	7930.200³⁾	7930.220³⁾
Model No. DK as bayed enclosure without side panels, including baying kit TS 8800.500	–	7930.850²⁾³⁾	7930.250³⁾	7930.270²⁾³⁾

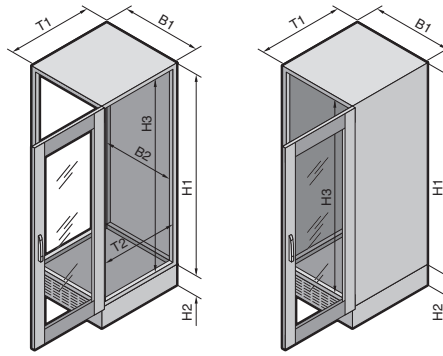
¹⁾ All sizes given are nominal dimensions. For absolute dimensions, please refer to the detailed drawing on the Internet.

²⁾ Delivery times available on request.

³⁾ Glazed aluminium door, delivery times available on request.

Networking

Network enclosures, based on Rittal TS 8, pre-configured



Material:
Sheet steel

Surface finish:
Enclosure frame:
Dipcoat-primed
Doors, roof and base/plinth:
Dipcoat-primed,
powder-coated in RAL 7035
Gland plates, punched sections
with mounting flanges and
mounting angles:
Zinc-plated, passivated

Supply includes:
Enclosure frame with doors or
rear panel, roof plate,
vented base/plinth 100 mm,
earthing of all enclosure panels;
Supplied loose:
Levelling feet incl. base/plinth
adaptor,
4 spacers for raising the roof,
4 cable clamp rails for the inner
frame level,
10 cable shunting rings
(105 x 70 mm, plastic)
50 captive nuts M6, conductive,
50 multi-tooth screws M6.

Version 3
Glazed front door, vented, 180°,
with comfort handle for semi-cyl-
inder and security lock 3524 E;
Sheet steel door at the rear,
vented, 180°, with swivel handle
and security lock 3524 E.
482.6 mm (19") mounting angles
at the front and rear, distance
between levels pre-configured
at 740 mm.
L-shaped mounting angles
screw-fastened to 2 or 3 depth
stays respectively.
Gland plate, one-piece, vented,
with cable entry.

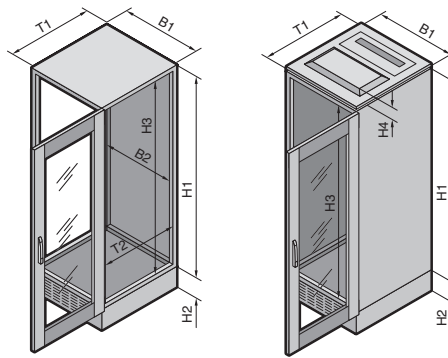
Detailed drawing,
available on the Internet.

	Version 3	Version 3	Version 3	Version 3	Version 3
U	24	42	42	47	47
Width (B1) mm¹⁾	800	800	800	800	800
Height (H1 + H2) mm¹⁾	1200 + 100	2000 + 100	2000 + 100	2200 + 100	2200 + 100
Depth (T1) mm¹⁾	900	900	1000	900	1000
Clearance width (B2) mm	712	712	712	712	712
Clearance height (H3) mm	1112	1912	1912	2112	2112
Clearance depth (T2) mm	812	812	912	812	912
Model No. DK including 2 plug-in side panels, with security lock 3524 E	7830.120	7830.300	7830.330	7830.320²⁾	7830.340²⁾
Model No. DK as bayed enclosure without side panels, including baying kit TS 8800.500	–	7830.350	7830.335	7830.370²⁾	7830.380²⁾

¹⁾ All sizes given are nominal dimensions. For absolute dimensions, please refer to the detailed drawing on the Internet.

²⁾ Delivery times available on request.

Network enclosures, based on Rittal TS 8, pre-configured



Material:

Sheet steel

Surface finish:

Enclosure frame:
Dipcoat-primed
Doors, roof and base/plinth:
Dipcoat-primed,
powder-coated in RAL 7035
Gland plates, punched sections
with mounting flanges and
mounting angles:
Zinc-plated, passivated

Supply includes:

Enclosure frame with doors or
rear panel, roof plate,
vented base/plinth 100 mm,
earthing of all enclosure panels;
Supplied loose:
Levelling feet incl. base/plinth
adaptor,
4 spacers for raising the roof
or vent panel,
4 cable clamp rails for the inner
frame level,
10 cable shunting rings
(105 x 70 mm, plastic)
50 captive nuts M6, conductive,
50 multi-tooth screws M6.

Version 4

Designer glazed door at the
front, 180°, with comfort handle
for semi-cylinder and security
lock 3524 E;
Sheet steel door at the rear,
130°, with swivel handle and
security lock 3524 E.
Empty enclosure for individual
configuration, 482.6 mm (19")/
metric partial installation or a
combination of mounting angles/
482.6 mm (19") mounting frames
supported. Gland plate at the
front, fitted as an infill panel.

Version 5

Designer glazed door at the
front, 180°, with comfort handle
for semi-cylinder and security
lock 3524 E;
Sheet steel door at the rear,
130°, with swivel handle and
security lock 3524 E.
482.6 mm (19") mounting angles
at the front and rear, distance
between levels pre-configured
at 598 mm.
L-shaped mounting angles
screw-fastened to depth stays
in the centre. Roof plate with cut-
out for fan insert and vent panel
on spacers. Gland plate at the
front, fitted as an infill panel.

Version 6

Designer glazed door at the
front 180°, with comfort handle
for semi-cylinder and security
lock 3524 E.
Sheet steel rear panel.
Swing frame, large, with side
trim panel for the installation of
482.6 mm (19") mounting com-
ponents whilst utilising the full
enclosure height (130°, 150 kg).
Full installation at the front, rear
panel, including swing frame
installation kit SR 1995.825 up to
150 kg total load capacity, static.
Roof plate with cut-out for fan
insert and vent panel on spacer-
ers. Gland plate, one-piece,
vented, with cable entry.

Detailed drawing,
available on the Internet.

	Version 4	Version 5	Version 6
U			
Width (B1) mm ¹⁾	42	42	40
Height (H1 + H2) mm, (H1 + H2 + H4) mm ¹⁾	800	800	800
Depth (T1) mm ¹⁾	2000 + 100	2000 + 100 + 25	2000 + 100 + 25
Clearance width (B2) mm	800	800	800
Clearance height (H3) mm	712	712	712
Clearance depth (T2) mm	1912	1912	1912
Model No. DK including 2 plug-in side panels, with security lock 3524 E	7930.400 ³⁾	7930.500 ³⁾	7930.660 ³⁾
Model No. DK as bayed enclosure without side panels, including baying kit TS 8800.500	–	7930.550 ²⁾³⁾	7930.670 ²⁾³⁾

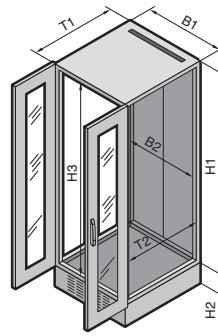
¹⁾ All sizes given are nominal dimensions. For absolute dimensions, please refer to the detailed drawing on the Internet.

²⁾ Delivery times available on request.

³⁾ Glazed aluminium door, delivery times available on request.

Networking

Network enclosures, based on Rittal TS 8, pre-configured



Material:

Sheet steel

Surface finish:

Enclosure frame:
Dipcoat-primed
Doors, roof and base/plinth:
Dipcoat-primed,
powder-coated in RAL 7035
Gland plates, punched sections
with mounting flanges and
mounting angles:
Zinc-plated, passivated

Supply includes:

Enclosure frame with doors or rear panel, roof plate, vented base/plinth 100 mm, earthing of all enclosure panels;
Supplied loose:
Levelling feet incl. base/plinth adaptor,
4 spacers for raising the roof,
4 cable clamp rails for the inner frame level,
10 cable shunting rings (105 x 70 mm, plastic)
50 captive nuts M6, conductive,
50 multi-tooth screws M6.

Version 7

Glazed front door, vertically divided, 180°, sheet steel rear door, vertically divided, 180°. 482.6 mm (19") mounting angles at the front and rear, distance between levels pre-configured at 498 mm.
Cranked mounting angles screw-fastened to installation brackets approx. 150 mm behind the frame front edge.
Gland plate at the front, fitted as an infill panel.

Detailed drawing,

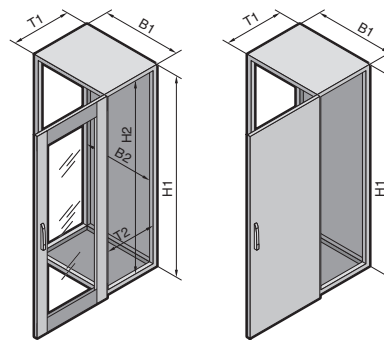
available on the Internet.

Networking

B
5.1

U		42
Width (B1) mm		800
Height (H1 + H2) mm		2000 + 100
Depth (T1) mm		800
Clearance width (B2) mm		712
Clearance height (H3) mm		1912
Clearance depth (T2) mm		712
Model No. DK as bayed enclosure without side panels, including baying kit TS 8800.500	Version 7	7830.260
Accessories		Page
Two plug-in side panels, with security lock 3524E	7824.208	919

Network enclosures, based on Rittal TS 8, types 1 and 2



Type 1

Designer glazed aluminium door at the front (180°), with 3 mm single-pane safety glass, comfort handle for semi-cylinder and security lock 3524 E; sheet steel door at rear (130°) with handle and security lock 3524 E.

Type 2

Sheet steel door at front (180°), with comfort handle for semi-cylinder and security lock 3524 E; sheet steel door at rear (130°) with handle and security lock 3524 E.

Material:
Sheet steel

Surface finish:
Enclosure frame: Dipcoat-primed
Doors and roof: Dipcoat-primed, powder-coated in RAL 7035
Gland plates and punched sections with mounting flanges: Zinc-plated, passivated

Supply includes:
Enclosure frame with doors, roof plate, multi-piece gland plate, 2 punched sections with mounting flanges in the enclosure depth.

Approvals,
see page 92.

Detailed drawing,
available on the Internet.

U	15	20	20	24	24	24	24	24
Width (B1) mm¹⁾	600	600	800	600	800	800	800	800
Height (H1) mm¹⁾	800	1000	1000	1200	1200	1200	1200	1200
Depth (T1) mm¹⁾	600	600	600	600	600	800	900	1000
Clearance width (B2) mm	512	512	712	512	712	712	712	712
Clearance height (H2) mm	712	912	912	1112	1112	1112	1112	1112
Clearance depth (T2) mm	512	512	512	512	512	712	812	912
Model No. DK, type 1 with designer glazed door at the front	7920.100³⁾	7920.200³⁾	7920.240²⁾³⁾	7920.300³⁾	7920.340²⁾³⁾	7920.350³⁾	7920.355³⁾	7920.360²⁾³⁾
Model No. DK, type 2 with sheet steel door at the front	7821.100	7821.200	7821.240²⁾	7821.300	7821.340	–	7821.355	–

U	29	29	29	33	33	33	38	38
Width (B1) mm¹⁾	600	600	800	600	600	800	600	600
Height (H1) mm¹⁾	1400	1400	1400	1600	1600	1600	1800	1800
Depth (T1) mm¹⁾	600	800	600	600	800	600	600	800
Clearance width (B2) mm	512	512	712	512	512	712	512	512
Clearance height (H2) mm	1312	1312	1312	1512	1512	1512	1512	1712
Clearance depth (T2) mm	512	712	512	512	712	512	512	712
Model No. DK, type 1 with designer glazed door at the front	7920.400²⁾³⁾	7920.410³⁾	7920.440²⁾³⁾	7920.500³⁾	7920.510³⁾	7920.540²⁾³⁾	7920.600³⁾	7920.610³⁾
Model No. DK, type 2 with sheet steel door at the front	7821.400²⁾	7821.410	7821.440²⁾	7821.500	7821.510	7821.540²⁾	7821.600	7821.610

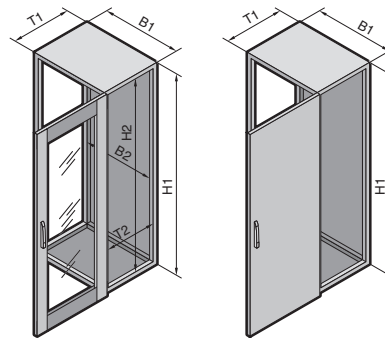
¹⁾ All sizes given are nominal dimensions. For absolute dimensions, please refer to the detailed drawing on the Internet.

²⁾ Delivery times available on request.

³⁾ Glazed aluminium door, delivery times available on request.

Networking

Network enclosures, based on Rittal TS 8, types 1 and 2



Type 1

Designer glazed aluminium door at the front (180°), with 3 mm single-pane safety glass, comfort handle for semi-cylinder and security lock 3524 E; sheet steel door at rear (130°) with handle and security lock 3524 E.

Type 2

Sheet steel door at front (180°), with comfort handle for semi-cylinder and security lock 3524 E; sheet steel door at rear (130°) with handle and security lock 3524 E.

Material:

Sheet steel

Surface finish:

Enclosure frame: Dipcoat-primed
Doors and roof: Dipcoat-primed, powder-coated in RAL 7035
Gland plates and punched sections with mounting flanges: Zinc-plated, passivated

Supply includes:

Enclosure frame with doors, roof plate, multi-piece gland plate, 2 punched sections with mounting flanges in the enclosure depth.

Approvals,

see page 92.

Detailed drawing,

available on the Internet.

U	38	38	38	38	42	42	42	42	42
Width (B1) mm¹⁾	600	800	800	800	600	600	600	600	800
Height (H1) mm¹⁾	1800	1800	1800	1800	2000	2000	2000	2000	2000
Depth (T1) mm¹⁾	900	600	800	1000	600	800	900	1000	600
Clearance width (B2) mm	512	712	712	712	512	512	512	512	512
Clearance height (H2) mm	1712	1712	1712	1712	1912	1912	1912	1912	1912
Clearance depth (T2) mm	812	512	712	912	512	712	812	912	512
Model No. DK, type 1 with designer glazed door at the front	7920.620³⁾	7920.640³⁾	7920.650³⁾	7920.670³⁾	7920.700³⁾	7920.710²⁾³⁾	7920.720³⁾	7920.730³⁾	7920.740³⁾
Model No. DK, type 2 with sheet steel door at the front	7821.620²⁾	7821.640²⁾	7821.650	7821.670²⁾	7821.700	7821.710²⁾	7821.720	7821.730	7821.740

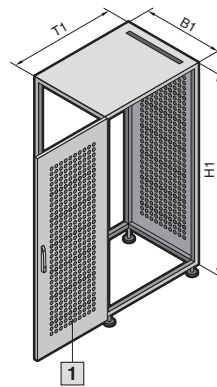
U	42	42	42	47	47	47	47	47	47
Width (B1) mm¹⁾	800	800	800	600	600	800	800	800	800
Height (H1) mm¹⁾	2000	2000	2000	2200	2200	2200	2200	2200	2200
Depth (T1) mm¹⁾	800	900	1000	600	800	600	800	900	1000
Clearance width (B2) mm	712	712	712	512	512	512	712	712	712
Clearance height (H2) mm	1912	1912	1912	2112	2112	2112	2112	2112	2112
Clearance depth (T2) mm	712	812	912	512	712	512	712	812	912
Model No. DK, type 1 with designer glazed door at the front	7920.750³⁾	7920.760³⁾	7920.770³⁾	7920.800³⁾	7920.810³⁾	7920.840³⁾	7920.850³⁾	7920.860³⁾	7920.870³⁾
Model No. DK, type 2 with sheet steel door at the front	7821.750	7821.760	7821.770	7821.800	7821.810	7821.840²⁾	7821.850	7821.860²⁾	7821.870

¹⁾ All sizes given are nominal dimensions. For absolute dimensions, please refer to the detailed drawing on the Internet.

²⁾ Delivery times available on request.

³⁾ Glazed aluminium door, delivery times available on request.

Based on Rittal TS 8, pre-configured



Design features

- Robust frame structure
- Front and rear door fully vented; vented surface area > 78 % perforated
- 4-point locking, 2-point locking with multiple door versions and H = 1200 mm
- Door hinge may be swapped to opposite side
- Cable entry via the roof and base
- Bayable at all levels
- Static load capacity of up to 1000 kg

Material:
Sheet steel

Surface finish:
Enclosure frame:
Dipcoat-primed



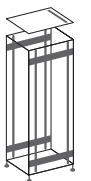
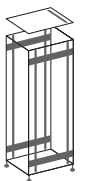

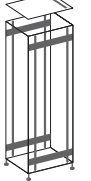
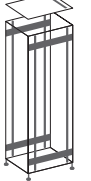
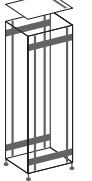
Enclosure panels:
Dipcoat-primed, powder-coated in RAL 7035 or RAL 9005
Mounting angles and punched sections with mounting flanges:
Zinc-plated, passivated

Supply includes:
Enclosure frame TS 8 with sheet steel doors front and rear, vented, with 130° hinges, L-shaped, depth-variable fitted mounting angles and/or 482.6 mm (19") mounting frame,

levelling feet, comfort handle with security lock 3524 E and 4-point lock.

Detailed drawing, available on the Internet.

1 Optimised air flow

									
Number of front and rear doors		1	1	1	1	1	1	1	1
U		24	24	42	42	42	47	47	47
Width (B1) mm²		600	600	600	600	600	600	600	600
Height (H1) mm²		1200	1200	2000	2000	2000	2200	2200	2200
Depth (T1) mm²		900	1000	900	1000	1200	900	1000	1200
Model No. DK as bayed enclosure without side panels, without baying kit	RAL 7035	7831.431	7831.433³⁾	7831.436	7831.438	7831.481	7831.440	7831.442	7831.483
	RAL 9005	7831.432³⁾	7831.434³⁾	7831.437	7831.439	7831.482	7831.441	7831.443	7831.484³⁾
Model No. DK with side panels, plug-type	RAL 7035	–	–	–	–	7831.491	–	–	7831.493
	RAL 9005	–	–	–	–	7831.492	–	–	7831.494³⁾
Doors									
Sheet steel doors, vented, front and rear ¹⁾		■	■	■	■	■	■	■	■
Roof									
Roof plate for cable entry, two-piece		■	■	■	■	■	■	■	■
Base									
Levelling feet		■	■	■	■	■	■	■	■
Open base, without base frame		■	■	■	■	■	■	■	■
Interior installation									
482.6 mm (19") levels, front and rear		■	■	■	■	■	■	■	■
L-shaped mounting angles		■	■	■	■	■	■	■	■
Mounting angles attached to depth stays		■	■	■	■	■	■	■	■
482.6 mm (19") mounting frames, front and rear		–	–	–	–	–	–	–	–
Panel earthing, fitted		■	■	■	■	■	■	■	■
Individual compartments, shielded/separate cable routing per compartment		–/–	–/–	–/–	–/–	–/–	–/–	–/–	–/–
Accessories									
Plug-in side panels with T lock, IP 20	RAL 7035	7824.129	7824.120	7824.209	7824.200	■ (7831.491 only)	7824.229	7824.220	■ (7831.493 only)
	RAL 9005	7816.129	7816.120	7816.209	7816.200	■ (7831.492 only)	7816.229	7816.220	■ (7831.494 only)
Security lock 3524 E for side panels		7824.500	7824.500	7824.500	7824.500	7824.500	7824.500	7824.500	7824.500
Base assembly bracket		8800.210	8800.210	8800.210	8800.210	8800.210	8800.210	8800.210	8800.210
Depth-variable slide rail, 1 U		7063.883	7063.883	7063.883	7063.883	7063.883	7063.883	7063.883	7063.883
Stabiliser, pull-out		7825.200	7825.250	7825.200	7825.250	7825.260	7825.200	7825.250	7825.260

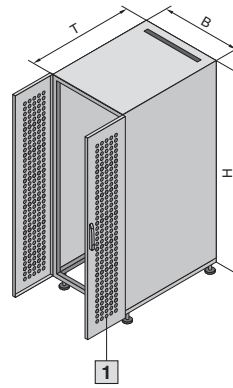
■ Included with the supply. ¹⁾ Vented surface area > 78 % perforated.

²⁾ All sizes are nominal dimensions. For absolute dimensions, please refer to the detailed drawing on the Internet. ³⁾ Delivery times available on request.

Accessories Page 890 **Liquid cooling** Page 726 **Baying system** Page 926

Server racks

Based on Rittal TS 8, pre-configured



Design features:

- Robust frame structure
- Front and rear door fully vented; 180°; vented surface area > 78 % perforated
- 4-point locking
- Door hinge may be swapped to opposite side
- Cable entry via the roof and base
- Bayable at all levels
- Static load capacity of up to 1000 kg

Material:

Sheet steel

Surface finish:

Enclosure frame:
Dipcoat-primed
Enclosure panels:
Dipcoat-primed,
powder-coated in RAL 7035
or RAL 9005
Mounting frame:
Zinc-plated, passivated

Supply includes:

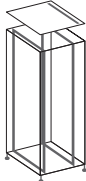
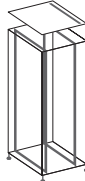
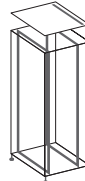
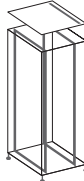
Enclosure frame TS 8 with sheet steel doors, vertically divided, vented front and rear, depth-variable 482.6 mm (19") mounting frame front and rear, levelling feet, comfort handle with security lock 3524 E and 4-point lock.

Fitted with standard lock 3524 E. Enclosure panel earthing already prefitted. Two-piece roof plate, with sliding plate and rubber cable clamp strip for cable entry. Without or with side panels in colours RAL 7035 and RAL 9005.

Detailed drawing,

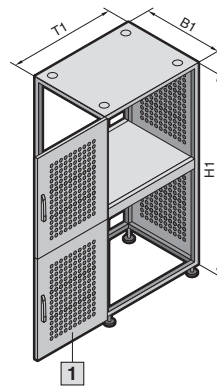
available on the Internet.

- 1** Optimised air flow. Open surface area > 78 % perforated.

				
Number of front and rear doors	2 (vertically divided)	2 (vertically divided)	2 (vertically divided)	2 (vertically divided)
U	42	42	42	42
Width (B) mm	800	800	800	800
Height (H) mm	2000	2000	2000	2000
Depth (T) mm	1200	1200	1200	1200
Model No. DK	7831.489	7831.499	7831.580²⁾	7831.590²⁾
RAL colour	7035	7035	9005	9005
Doors				
Sheet steel doors, vented, front and rear ¹⁾	■	■	■	■
Plug-in side panels with T lock	-	■	-	■
Roof				
Roof plate, two-piece with rubber cable clamp strip for cable entry	■	■	■	■
Base				
Open base, without base frame	■	■	■	■
Levelling feet	■	■	■	■
Interior installation				
482.6 mm (19") level, front and rear	■	■	■	■
482.6 mm (19") mounting frames, front and rear	■	■	■	■
Load capacity 1000 kg, static	■	■	■	■
Panel earthing, fitted	■	■	■	■
Accessories				
Security lock 3524 E for side panels	7824.500	7824.500	8601.802	7824.500
Base/plinth components, front and rear, solid	8601.805	8601.805	8601.802	8601.802
Base/plinth trims	8601.025	8601.025	8601.026	8601.026
Base assembly bracket	8800.210	8800.210	8800.210	8800.210
Stabiliser, pull-out	7825.260	7825.260	7825.260	7825.260

■ Included with the supply. ¹⁾ Vented surface area > 78 % perforated. ²⁾ Delivery times available on request.

Based on Rittal TS 8, pre-configured



Design features

- Robust frame structure
- Front and rear door fully vented; vented surface area > 78 % perforated
- 4-point locking, 2-point locking with multiple door versions
- Door hinge may be swapped to opposite side
- Cable entry via the roof and base
- Bayable at all levels
- Static load capacity of up to 1000 kg

Detailed drawing, available on the Internet.

1 Optimised air flow

Material:
Sheet steel

Surface finish:
Enclosure frame:
Dipcoat-primed
Enclosure panels:
Dipcoat-primed, powder-coated

in RAL 7035 or RAL 9005
Mounting angles and punched sections with mounting flanges:
Zinc-plated, passivated

Supply includes:
Enclosure frame TS 8 with sheet steel doors front and rear,

vented, with 130° hinges, L-shaped, depth-variable fitted mounting angles and/or 482.6 mm (19") mounting frame, levelling feet, comfort handle with security lock 3524 E and 4-point lock.

Number of front and rear doors		1	1	1	2	4
U		42	42	47	2 x 21	4 x 10
Width (B1) mm²⁾		800	800	800	600	600
Height (H1) mm²⁾		2000	2000	2200	2200	2200
Depth (T1) mm²⁾		1000	1200	1200	900	900
Model No. DK as bayed enclosure without side panels, without baying kit	RAL 7035	7831.446	7831.485	7831.487³⁾	7831.450	7831.460
	RAL 9005	–	7831.486³⁾	7831.488³⁾	7831.451³⁾	7831.461³⁾
Model No. DK with side panels, plug-type	RAL 7035	–	7831.495³⁾	7831.497³⁾	–	–
	RAL 9005	–	7831.496³⁾	7831.498³⁾	–	–
Doors						
Sheet steel doors, vented, front and rear ¹⁾		■	■	■	■	■
Roof						
Roof plate for cable entry, two-piece		■	■	■	–	–
Roof plate with cable entry openings in the corners		–	–	–	■	■
Base						
Levelling feet		■	■	■	–	–
Open base, without base frame		■	■	■	■	■
Interior installation						
482.6 mm (19") levels, front and rear		■	■	■	–	–
L-shaped mounting angles		–	–	–	–	–
Mounting angles attached to depth stays		–	–	–	■	■
482.6 mm (19") mounting frames, front and rear		■	■	■	–	–
Panel earthing, fitted		■	■	■	■	■
Individual compartments, shielded/separate cable routing per compartment		–/–	–/–	–/–	■/■	■/■
Accessories						
Plug-in side panels with T lock, IP 20	RAL 7035	7824.200	■ (7831.495 only)	■ (7831.497 only)	7824.229	7824.229
	RAL 9005	–	■ (7831.496 only)	■ (7831.498 only)	7816.229	7816.229
Security lock 3524 E for side panels		7824.500	7824.500	7824.500	7824.500	7824.500
Base assembly bracket		8800.210	8100.235	8100.235	8800.210	8800.210
Depth-variable slide rail, 1 U		7063.883	7063.883	7063.883	7063.883	7063.883
Stabiliser, pull-out		7825.250	7825.260	7825.260	7825.200	7825.200

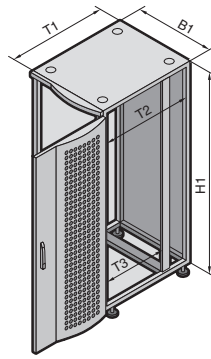
■ Included with the supply. ¹⁾ Vented surface area > 78 % perforated.

²⁾ All sizes are nominal dimensions. For absolute dimensions, please refer to the detailed drawing on the Internet. ³⁾ Delivery times available on request.

Accessories Page 890 **Liquid cooling** Page 726

Server racks

Based on Rittal flexRack(i), 1000 and 1200 mm deep, pre-configured



Design features

- Enclosure system may be dismantled because the vertical sections are screw-fastened to the roof and base frame.
- Aluminium vertical section with multi-functional system channel
- Vented front and rear door with vented surface area > 67 % perforated
- 2-point locking
- Cable entry via the roof and base

- Pull-out stabiliser
- Suitable for baying
- Static load capacity of up to 1000 kg

Material:

Vertical frame sections:
Extruded aluminium section,
roof frame, panels:
Sheet steel

Surface finish:

Enclosure panels/door trim panel:
Spray-finished in RAL 7035

Frame sections, perforated plate of front/rear door: RAL 9006
482.6 mm (19") mounting angles, mounting frame:
Zinc-plated, passivated

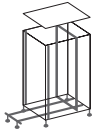
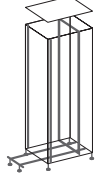
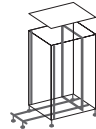
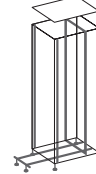
Supply includes:

System frame section FR(i)¹⁾ with designer door, vented, TS sheet steel door at rear, vented, levelling feet, stabiliser, earthing of all enclosure panels, comfort handles for semi-cylinder and/or knob handle with security lock 3524 E.

Property rights:

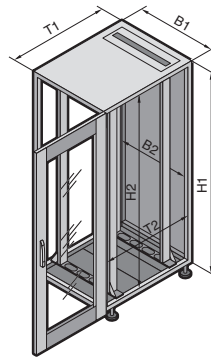
German patent no. 103 11 376
German registered design no. 403 04 312
British registered design no. 301 54 31

Detailed drawing, available on the Internet.

				
U	24	42	24	42
Width (B1) mm³⁾	600	600	600	600
Height (H1) mm³⁾	1200	2000	1200	2000
Depth (T1) mm³⁾	1005	1005	1205	1205
Depth absolute, including handles and curvature (T1) mm + 75 mm³⁾	1080	1080	1280	1280
Maximum distance between levels (T2) mm ³⁾	829	829	1029	1029
Distance between the 482.6 mm (19") levels (T3) mm ³⁾	750	750	850	850
Model No. FR(i) as bayed enclosure without side panels, without baying kit	7855.310	7855.330	7855.312	7855.332
Doors				
Designer door, front, vented ²⁾	■	■	■	■
TS sheet steel door, rear, vented ²⁾	■	■	■	■
Roof				
Solid roof plate	■	–	■	–
Roof plate with cable entry openings in the corners	–	■	–	■
Base				
Levelling feet	■	■	■	■
Stabiliser, pull-out	■	■	■	■
Open base, without base frame	■	■	■	■
Interior installation				
482.6 mm (19") mounting angles, front	■	■	■	■
482.6 mm (19") mounting frame, rear	■	■	■	■
Earthing of all enclosure panels on the enclosure frame	■	■	■	■
Central earthing point fitted at the rear of the base frame	■	■	■	■
Accessories				
2 designer side panels IP 20, including security lock 3524 E	7856.672	7856.687	7856.673	7856.688
Transport kit, 4 castors including assembly parts	7825.900	7825.900	7825.900	7825.900

■ Included with the supply. ¹⁾ The system frame FR(i) is generally suitable for the installation of TS 8 accessories.
²⁾ Vented surface area > 67 % perforated. ³⁾ All sizes are nominal dimensions. For absolute dimensions, please refer to the detailed drawing on the Internet.

Based on Rittal TS 8, High Performance Cooling systems HPC



High Performance Cooling systems HPC:

Designer glazed door at the front (180°), with 3 mm single-pane safety glass, sheet steel door at the rear (130°), comfort handle for semi-cylinder and security lock 3524 E on both sides. 482.6 mm (19") mounting frame front and rear, distance between levels pre-configured at 740 mm, free space to front door

approx. 100 mm, max. static load capacity of the interior installation 1000 kg per rack. Roof plate, two-piece, for cable entry via sliding plate. Multi-divided base/gland plate. Maximum attainable protection category IP 54, in conjunction with solid roof (bayed solution) and additional screw-fastened side panels with stand-alone siting.

Material:
Sheet steel

Surface finish:
Dipcoat-primed, panels additionally powder-coated, RAL 7035. Gland plates and 482.6 mm (19") mounting frame zinc-plated, passivated.

Supply includes:
Enclosure frame with doors and rear panel, roof plate, gland plate, 482.6 mm (19") interior installation, earthing of all panels, levelling feet, fitted.

U	42	42	42	42
Width (B1) mm¹⁾	600	800	600	800
Height (H1) mm¹⁾	2000	2000	2000	2000
Depth (T1) mm¹⁾	1000	1000	1200	1200
Clearance width (B2) mm	512	712	512	712
Clearance height (H2) mm	1912	1912	1912	1912
Clearance depth (T2) mm	912	912	1112	1112
Model No. DK as bayed enclosure without side panels, without baying kit	7931.810	7931.800	7931.812	7931.802
Model No. DK with side panels, screw-fastened	–	–	7931.813	7931.803
Doors				
Designer glazed front door, sheet steel rear door	■	■	■	■
Roof				
Roof plate for cable entry, two-piece	■	■	■	■
Base				
Levelling feet	■	■	■	■
Base frame with multi-piece gland plate	■	■	■	■
Interior installation				
482.6 mm (19") levels, front and rear	■	■	■	■
L-shaped mounting angles	–	–	–	–
Mounting angles attached to depth stays	–	–	–	–
482.6 mm (19") mounting frames, front and rear	■	■	■	■
Panel earthing, fitted	■	■	■	■
Accessories				
Side panel, screw-fastened, IP 55	8100.235	8100.235	■ (7931.813 only)	■ (7931.803 only)
Depth-variable slide rail, 1 U	7063.883	7063.883	7063.883	7063.883
482.6 mm (19") heavy duty base, 700 mm deep, 100 kg load capacity ¹⁾	7063.897	7063.897	7063.897	7063.897
Installation kit for heavy-duty component shelf, depth-variable	7063.890	7063.890	7063.890	7063.890

■ Included with the supply. ¹⁾ All sizes are nominal dimensions. For absolute dimensions, please refer to the detailed drawing on the Internet.

Accessories Page 890 **Baying system** Page 926

Server racks

Smart Package, based on Rittal TS 8, pre-configured, A1 – A3



Smart Package A1

The solution for climate-controlled rooms

The perforated sheet steel doors at the front and rear provide for reliable ventilation of the racks, with > 78% of the door surface area available for air throughput.

A brush strip in the plinth and the sliding panel in the base frame enable simple cable entry even with pre-assembled plug connectors.

Power supply

The integrated PSM busbar with 6 x IEC 320 PSM modules is a VDE-approved power distribution system.

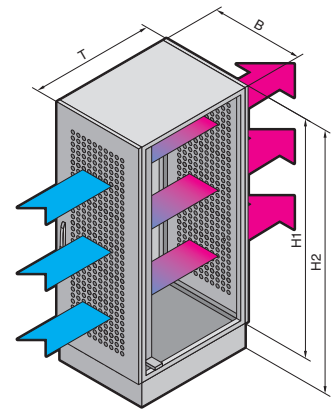
As IEC 60320 modules are used, it is not possible to transpose the phase and neutral conductors. The two infeeds to the PSM busbar permit both the mains voltage and a UPS voltage to be made available in the rack. The colour-coding of the C13 modules serves for differentiation (UPS = red).

Technical specifications:

- Cooling output for a 10 K temperature difference: max. 1.5 kW
- Nominal UPS output: 2 kVA
- UPS input voltage: 160 – 276 V AC
- Autonomy time at 100 % load: 7 min.
- Infeed: 400 V AC, 3 x 16 A, CEEkon
- Protocols: HTTP, SNMP, Telnet, SMTP

Benefits at a glance:

- Built-in 2 kVA UPS VFI-SS-111
- VDE-approved power distribution
- Mains and UPS voltage available on the PSM busbar



Width (B) 800 mm
Height (H1) 2000 mm
Overall height (H2) 2100 mm
Depth (T) 1000 mm



Smart Package A2

The solution for the office sector

Quiet-running roof-mounted fans with speed control functionality achieve active rack cooling at exceptionally low noise levels. Heat losses of up to 2.0 kW can be dissipated.

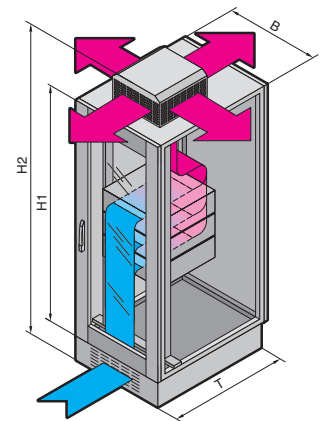
A glazed front door and a sheet steel rear door, together with a vented plinth, ensure that the prescribed air routing is maintained. A brush strip in the plinth and the sliding panel in the base frame enable simple cable entry even with pre-assembled plug connectors.

Technical specifications

- Cooling output for a 10 K temperature difference: 2.0 kW
- Nominal UPS output: 3 kVA
- UPS input voltage: 160 – 276 V AC
- Autonomy time at 100 % load: 5 min.
- Infeed: 400 V AC, 3 x 16 A, CEEkon
- Monitoring: Temperature, smoke, access
- Protocols: HTTP, SNMP, SSH, Telnet, PPP, SMTP

Benefits at a glance:

- Optimised air routing for servers and PCs
- Quiet roof-mounted fan, supplied ready-wired: Noise level 40 dB (A)
- 3 kVA UPS VFI-SS-111
- Mains and UPS voltage available on the PSM busbar
- Temperature monitoring, smoke alarm and access control



Width (B) 800 mm
Height (H1) 2000 mm
Overall height (H2) 2340 mm
Depth (T) 1000 mm



Smart Package A3

The server rack to IP 54

With the cooling unit at the rear, a glazed front door, a sheet steel rear door and screw-fastened side panels, this rack is a closed system.

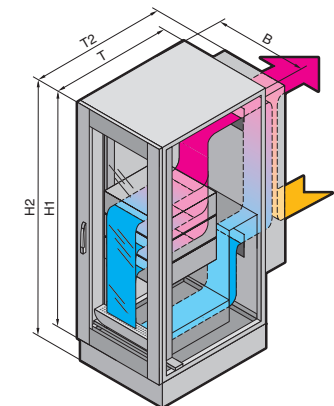
This design permits IT infrastructures to be installed at locations subject to high levels of contamination or high ambient temperatures. This Smart Package server rack is able to dissipate heat losses of up to 3 kW at an ambient temperature of 35°C.

Technical specifications

- Cooling output at 35°C ambient temperature: 3 kW
- Nominal UPS output: 3 kVA
- UPS input voltage: 160 – 276 V AC
- Autonomy time at 100 % load: 5 min.
- Infeed: 400 V AC, 3 x 32 A, CEEkon
- Monitoring: Temperature, smoke, access
- Protocols: HTTP, SNMP, SSH, Telnet, PPP, SMTP

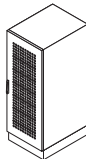
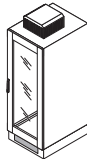
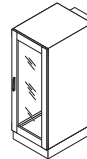
Benefits at a glance:

- Optimised air routing for servers and PCs
- IP 54
- 3 kVA UPS VFI-SS-111
- Mains and UPS voltage available on the PSM busbar
- Temperature monitoring, smoke alarm and access control



Width (B) 800 mm
Height (H1) 2000 mm
Overall height (H2) 2100 mm
Depth (T) 1000 mm
Overall depth (T2) 1350 mm

Smart Package, based on Rittal TS 8, pre-configured, A1 – A3

	A1	A2	A3	Page
				
Model No. DK	7337.100¹⁾	7337.200¹⁾	7337.300¹⁾	
Available U	38	37	34	
Width (B) mm²⁾	800	800	800	
Height (H2) mm²⁾	2100	2340	2100	
Depth (T or T2) mm²⁾	1000	1000	1350	
Supply includes				
Doors				
Sheet steel door, vented, with comfort handle, front	■	–	–	936
Glazed door with comfort handle, front	–	■	■	934
Sheet steel door, vented, with swivel handle, rear	■	–	–	936
Sheet steel door with swivel handle, rear	–	■	■	936
Side panels				
Side panel, plug-in, IP 20	■	■	–	919
Lock for side panel, plug-in (3524 E)	■	■	–	919
Side panel, screw-fastened, IP 54	–	–	■	917
Roof				
Roof plate, solid	■	–	■	
Roof plate, vented	–	■	–	973
Base				
Base/plinth, solid with brush strip for cable entry at the rear	■	–	■	893
Base/plinth, vented with brush strip for cable entry at the rear	–	■	–	893
Gland plate, multi-piece	■	–	■	913
Gland plate, one-piece, vented, for TS	–	■	–	914
Filter mat for gland plate, one-piece	–	■	–	914
Interior installation				
482.6 mm (19") level, front and rear	■	■	■	1091
Drawer, 2 U	■	■	■	1102
Power				
PSM busbar, installation height 2000 mm, incl. mounting kit for a max. of 7 standard modules	■	■	■	789
Plug-in module PSM 6 x C13 (IEC 320 appliances, black)	2	2	2	790
Plug-in module PSM 6 x C13 (IEC 320 appliances, red)	2	2	2	790
Cooling				
Roof-mounted fan (low-noise, speed-controlled), supplied ready wired	–	■	–	702
Cooling unit with adjusted airflow	–	–	■	638
UPS				
Double conversion UPS, classification: VFI-SS-111	■	■	■	797
2 kVA including battery and SNMP card	■	–	–	796
3 kVA including battery and SNMP card	–	■	■	796
Security/monitoring				
CMC-TC PU II including power pack and mounting kit (1 U)	–	■	■	809
Programming cable	–	■	■	819
CMC-TC I/O unit	–	■	■	811
Temperature sensor	–	■	■	823
Smoke alarm	–	■	■	824
Access sensor	–	■	■	828
Digital sensor input module (cooling unit monitoring)	–	–	■	825
Cable kit/mounting kit	–	■	■	–
Standard accessories, supplied loose				
Connection cable (3-phase)	16 A	16 A	32 A	818
IEC 320 appliances extension 0.5 m and 1 m, each	5	5	5	818
Cable lock C13	20	20	20	790
Nylon loop cable tie	20	20	20	1066
RCCMD licence (server shutdown software)	1	1	1	796

■ Included with the supply.

¹⁾ Delivery times available on request.

²⁾ All sizes given are nominal dimensions. For absolute dimensions, please refer to the detailed drawing.

Server racks

Smart Package, based on Rittal TS 8, pre-configured, A4 – A7



Material:
Sheet steel

Colour:
RAL 7035

Surface finish:
Enclosure frame: Dipcoat-primed, enclosure panels dipcoat-primed and powder-coated in RAL 7035 (light grey), 482.6 mm (19") mounting frame: Zinc-plated, passivated

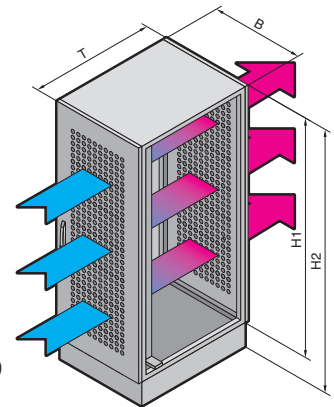
482.6 mm (19") mounting frame
Thanks to the two 482.6 mm (19") mounting frames, the rack has a high load capacity of 1000 kg, static, in the 482.6 mm (19") level. The distance between levels of the two 482.6 mm (19") frames are infinitely adjustable to the required dimensions of the installation kits supplied by the server manufacturers, enabling the installation of virtually any type of server.

Doors/walls
The fully vented front and rear doors with an open surface area of > 78 % in the perforated plate part ensure that the prescribed air routing of the servers is not restricted. Hot air is able to escape easily at the rear. Thanks to the 4-point locking of the doors (door hinge may be swapped for 130° hinges) and the screw-fastened side panels, the installed equipment is protected from unauthorised access.

With the TS comfort handle system for semi-cylinders, the lock supplied may be exchanged at any time for a customer-specific model.

Plug & play power distribution
The plug & play power distribution concept PSM (Power System Module) is pre-integrated and fitted with selected modules in the factory. It may be extended at any time with up to 4 modules with various connector configurations. The required connection cables to supply the busbar with power are also included with the supply.

Cable management
Cable entry is via the base/plinth or the divided roof plate. In order to be able to begin server integration immediately, additional accessories for assembly, cable routing and attachment are supplied loose.



Width (B) 800 mm
Height (H1) 2000 mm
Overall height (H2) 2100 mm
Depth (T) 1000/1200 mm

Smart Package A4 – A7

The server rack with the power distribution concept Power System Module PSM

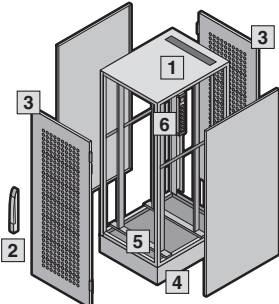
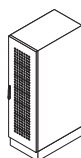
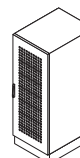
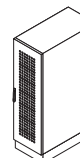
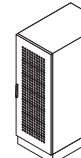
The Smart Package racks based on the successful TS 8 enclosure system provide the ideal basis for your IT infrastructure.

These server racks are equipped with the power distribution concept PSM (Power System Module). Additional accessories for assembly and cable routing are supplied loose.

Design features:

- Robust frame structure
- Front and rear door fully vented; open surface area > 78 % in the perforated plate part
- 4-point locking of the doors
- Door hinge may be swapped to opposite side
- Side panels screw-fastened from the inside
- Cable routing via the roof and base
- Bayable at all levels
- Static load capacity of up to 1000 kg
- PSM busbar 2 m, for up to 7 PSM modules.

Smart Package, based on Rittal TS 8, pre-configured, A4 – A7

Smart Package – Pre-configured server racks with power distribution concept PSM (Power System Module)	A4	A5	A6	A7	Page
					
U	42	42	42	42	
Width mm	600	800	600	800	
Height mm	2000 + 100	2000 + 100	2000 + 100	2000 + 100	
Depth mm	1000	1000	1200	1200	
Model No. DK (German version, with earthing-pin plug-in module)	7337.440	7337.450	7337.460	7337.470	
Model No. DK (international version, without earthing-pin plug-in module)	7337.445	7337.455	7337.465	7337.475	
Supply includes					
Doors					
3 Sheet steel doors, vented, front and rear ¹⁾	■	■	■	■	936
2 Comfort handle for semi-cylinder front and rear, including security lock 3524 E	■	■	■	■	948
Side panel					
Side panels, screw-fastened	■	■	■	■	917
Roof					
1 Roof plate with rubber cable clamp strip for cable entry, two-piece	■	■	■	■	972
Base					
4 Base/plinth, solid, with levelling feet	■	■	■	■	892
Base frame to accommodate optional gland plates	■	■	■	■	910
Interior installation Model No. DK					
5 482.6 mm (19") mounting frames front and rear	■	■	■	■	1094
Central earthing connection point	7829.200	■	■	■	1035
Earthing of all enclosure panels	7529.150	■	■	■	1034
6 PSM busbar (Power System Module)	7856.020	■	■	■	789
Mounting kit for PSM busbar	7856.011	■	■	■	789
6 2 x plug-in modules EN 60 320 C13 (IEC 320 connector)	7856.080	■	■	■	790
6 1 x plug-in module, earthing-pin type (German version only)	7856.100	■	■	■	790
Supplied loose					
PSM connection cable (3-phase)	7856.025	7856.025	7856.025	7856.025	793
PSM connection cable (1-phase)	7856.026	7856.026	7856.026	7856.026	793
10 x cable shunting rings 125 x 65 mm/nylon loops 200 mm	7072.230	7111.000	7072.230	7111.000	1066/1069
10 x 1 U blanking panel, toolless attachment	7151.110	7151.110	7151.110	7151.110	1110
2 x 1 U cable management panel	7257.035	7257.035	7257.035	7257.035	1076
20 x cable lock for EN 60 320 C13/C14 connectors	7856.013	7856.013	7856.013	7856.013	790
50 x 482.6 mm (19") slot-in cable gland	2094.400	2094.400	2094.400	2094.400	1105
Accessories (available to order separately)					
Monitor/keyboard unit, 1 U with 15" TFT display, touchpad (German)	9055.100	9055.100	9055.100	9055.100	840
SSC compact, Economy 8-port KVM switch	7552.010	7552.010	7552.010	7552.010	841
Mains connection cable for SSC compact	7200.210	7200.210	7200.210	7200.210	818
CPU cable 2 m (with interlocking PS/2 connectors) for SSC compact	7552.120	7552.120	7552.120	7552.120	845
CPU cable 4 m for SSC compact	7552.140	7552.140	7552.140	7552.140	845
Component shelf 700 mm, 482.6 mm (19") population, heavy duty, 100 kg, static	7063.897	7063.897	7063.897	7063.897	1019
Installation kit, depth-variable, for component shelf, 100 kg, static	7063.890	7063.890	7063.890	7063.890	1023
Telescopic slide, 100 kg, static	7066.700	7066.700	7066.700	7066.700	1025
Slide rail, depth-variable, 590 – 930 mm, 50 kg, static	7063.883	7063.883	7063.883	7063.883	1098
1/2 U component shelf, pull-out, 600 – 900 mm, static installation	7063.720	7063.720	7063.720	7063.720	1020
PSM plug-in module, 6 x EN 60 320 C13 IEC 320 equipment	7856.080	7856.080	7856.080	7856.080	790
PSM plug-in module, EN 60 320 C19 x 4	7856.230	7856.230	7856.230	7856.230	790
PSM plug-in module, 4 x earthing-pin	7856.100	7856.100	7856.100	7856.100	790
PSM light module (portable light)	7856.210	7856.210	7856.210	7856.210	791

■ Pre-configured. ¹⁾ Open space in the perforated plate part > 78 %.