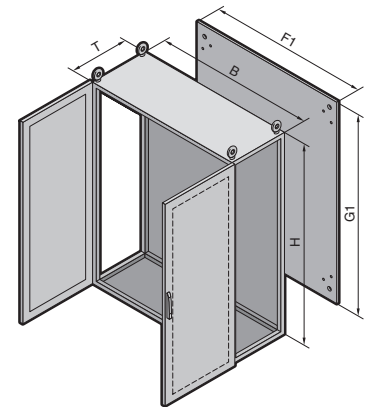
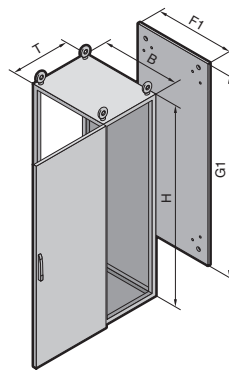


# Baying systems TS 8

Height: 1200, depth: 500/height: 1400, depth: 500



1 B Baying systems TS 8

### Material:

Sheet steel  
Enclosure frame, roof, rear panel and gland plates: 1.5 mm  
Door: 2.0 mm  
Mounting plate: 3.0 mm

### Surface finish:

Enclosure frame: Dipcoat-primed  
Door, roof and rear panel: Dipcoat-primed, powder-coated in textured RAL 7035 on the outside  
Mounting plates and gland plates: Zinc-plated

### Protection category:

IP 55 to EN 60 529/09.2000, complies with NEMA 12.

### Supply includes:

Enclosure frame with doors, mounting plate, gland plates, rear panel and roof plate.

### Approvals,

see page 30.

### Detailed drawing/nominal dimensions,

see page 1184 – 1185.

Width (B) mm	Packs of	600	800	1200	600	800	1200	Page
Height (H) mm		1200	1200	1200	1400	1400	1400	
Depth (T) mm		500	500	500	500	500	500	
Mounting plate width (F1) mm		499	699	1099	499	699	1099	
Mounting plate height (G1) mm		1096	1096	1096	1296	1296	1296	
<b>Model No. TS</b>	<b>1</b>	<b>8615.500</b>	<b>8815.500</b>	<b>8215.500</b>	<b>8645.500</b>	<b>8845.500</b>	<b>8245.500</b>	
Door(s)		1	1	2	1	1	2	
Weight (kg)		74.5	92.1	140.0	86.0	107.5	163.5	

### Walls

Side panels	2	8115.235	8115.235	8115.235	8145.235	8145.235	8145.235	917
Divider panel	1	-	-	-	8609.450	8609.450	8609.450	921

### Base/plinth

Components front and rear	Height 100 mm	1 set	8601.600	8601.800	8601.200	8601.600	8601.800	8601.200	893
	Height 200 mm	1 set	8602.600	8602.800	8602.200	8602.600	8602.800	8602.200	893
Trim panels (sides)	Height 100 mm	1 set	8601.050	8601.050	8601.050	8601.050	8601.050	8601.050	893
	Height 200 mm	1 set	8602.050	8602.050	8602.050	8602.050	8602.050	8602.050	893

### Accessories

Cable clamp rails for cable clamps	2	4191.000	4192.000	4196.000	4191.000	4192.000	4196.000	1061
Cable clamp rails (C section) for cable clamps	6	4944.000	4945.000	4947.000	4944.000	4945.000	4947.000	999
Support strips for door	20	4596.000	4598.000	4596.000	4596.000	4598.000	4596.000	964
Wiring plan pocket, sheet steel	1	4116.000	4118.000	4116.000	4116.000	4118.000	4116.000	967

### Lock systems

Standard double-bit lock insert may be exchanged for lock inserts, type F, see page 956, and comfort handle, see page 947 – 948.

To order enclosures in textured RAL 7032 please add extension .600 to the Model No., and for primed enclosures use extension .800. Delivery times available on request.



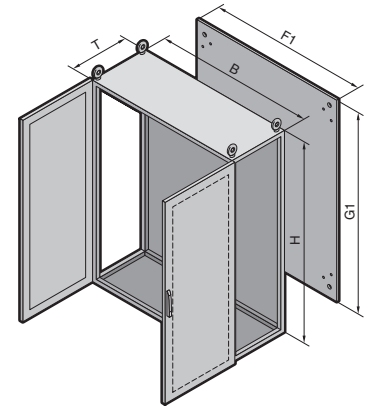
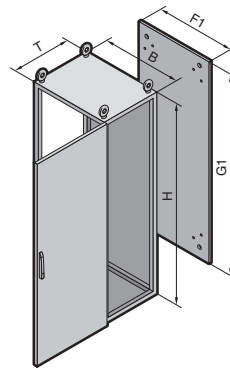
**Signal pillar LED compact,**  
Model No. see page 1125.



**Baying cover, top,**  
Model No. see page 932.

# Baying systems TS 8

Height: 1600, depth: 500



Baying systems TS 8  
1.3

**Material:**

Sheet steel  
Enclosure frame, roof, rear panel and gland plates: 1.5 mm  
Door: 2.0 mm  
Mounting plate: 3.0 mm

**Surface finish:**

Enclosure frame: Dipcoat-primed  
Door, roof and rear panel: Dipcoat-primed, powder-coated in textured RAL 7035 on the outside  
Mounting plates and gland plates: Zinc-plated

**Protection category:**

IP 55 to EN 60 529/09.2000, complies with NEMA 12.

**Supply includes:**

Enclosure frame with doors, mounting plate, gland plates, rear panel and roof plate.

**Approvals,**  
see page 30.

**Detailed drawing/nominal dimensions,**  
see page 1184 – 1185.

Width (B) mm	Packs of	600	800	1200	Page
Height (H) mm		1600	1600	1600	
Depth (T) mm		500	500	500	
Mounting plate width (F1) mm		499	699	1099	
Mounting plate height (G1) mm		1496	1496	1496	
<b>Model No. TS</b>	1	<b>8665.500</b>	<b>8865.500</b>	<b>8265.500</b>	
Door(s)		1	1	2	
Weight (kg)		100.0	103.0	159.3	

<b>Walls</b>					
Side panels	2	8165.235	8165.235	8165.235	917
Divider panel	1	8609.650	8609.650	8609.650	921

<b>Base/plinth</b>						
Components front and rear	Height 100 mm	1 set	8601.600	8601.800	8601.200	893
	Height 200 mm	1 set	8602.600	8602.800	8602.200	893
Trim panels (sides)	Height 100 mm	1 set	8601.050	8601.050	8601.050	893
	Height 200 mm	1 set	8602.050	8602.050	8602.050	893

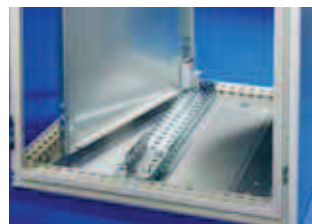
<b>Accessories</b>					
Cable clamp rails for cable clamps	2	4191.000	4192.000	4196.000	1061
Cable clamp rails (C section) for cable clamps	6	4944.000	4945.000	4947.000	999
Support strips for door	20	4596.000	4598.000	4596.000	964
Wiring plan pocket, sheet steel	1	4116.000	4118.000	4116.000	967

**Lock systems**  
Standard double-bit lock insert may be exchanged for lock inserts, type F, see page 956, and comfort handle, see page 947 – 948.

**To order enclosures in textured RAL 7032 please add extension .600 to the Model No., and for primed enclosures use extension .800. Delivery times available on request.**



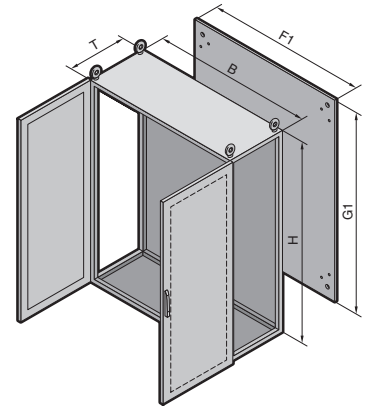
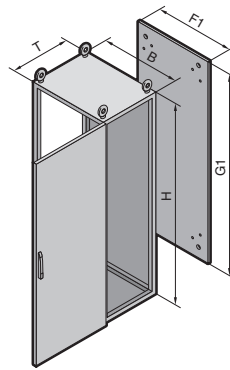
**Connector gland**  
for connecting a keyboard, mouse or scanner,  
Model No. see page 1057.



**Hinge attachment**  
for partial mounting plates,  
Model No. see page 985.

# Baying systems TS 8

Height: 1800, depth: 400



**Material:**

Sheet steel  
Enclosure frame, roof, rear panel and gland plates: 1.5 mm  
Door: 2.0 mm  
Mounting plate: 3.0 mm

**Surface finish:**

Enclosure frame: Dipcoat-primed  
Door, roof and rear panel: Dipcoat-primed, powder-coated in textured RAL 7035 on the outside  
Mounting plates and gland plates: Zinc-plated

**Protection category:**

IP 55 to EN 60 529/09.2000, complies with NEMA 12.

**Supply includes:**

Enclosure frame with doors, mounting plate, gland plates, rear panel and roof plate.

**Accessories:**

Corner enclosures, see page 933.

**Possible alternative:**

Instead of a door or rear panel, matching section doors with integral cooling module, see page 633 – 634.

**Approvals,** see page 30.

**Detailed drawing/nominal dimensions,** see page 1184 – 1185.

Width (B) mm	Packs of	600	800	1000	1000	1200	Page	
Height (H) mm		1800	1800	1800	1800	1800		
Depth (T) mm		400	400	400	400	400		
Mounting plate width (F1) mm		499	699	899	899	1099		
Mounting plate height (G1) mm		1696	1696	1696	1696	1696		
<b>Model No. TS</b>	1	<b>8684.500</b>	<b>8884.500</b>	<b>8084.500</b>	<b>8080.500</b>	<b>8284.500</b>		
Door(s)		1	1	1	2	2		
Weight (kg)		91.3	113.5	136.4	140.0	170.6		
<b>Walls</b>								
Side panels	2	8184.235	8184.235	8184.235	8184.235	8184.235	917	
Divider panel	1	8609.840	8609.840	8609.840	8609.840	8609.840	921	
<b>Base/plinth</b>								
Components front and rear	Height 100 mm	1 set	8601.600	8601.800	8601.000	8601.000	8601.200	893
	Height 200 mm	1 set	8602.600	8602.800	8602.000	8602.000	8602.200	893
Trim panels (sides)	Height 100 mm	1 set	8601.040	8601.040	8601.040	8601.040	8601.040	893
	Height 200 mm	1 set	8602.040	8602.040	8602.040	8602.040	8602.040	893
<b>Accessories</b>								
Cable clamp rails for cable clamps	2	4191.000	4192.000	4336.000	4336.000	4196.000	1061	
Cable clamp rails (C section) for cable clamps	6	4944.000	4945.000	4946.000	4946.000	4947.000	999	
Support strips for door	20	4596.000	4598.000	4599.000	4309.000	4596.000	964	
Wiring plan pocket, sheet steel	1	4116.000	4118.000	4124.000	4115.000	4116.000	967	
<b>Lock systems</b>								

Standard double-bit lock insert may be exchanged for lock inserts, type F, see page 956, and comfort handle, see page 947 – 948.

To order enclosures in textured RAL 7032 please add extension .600 to the Model No., and for primed enclosures use extension .800. Delivery times available on request.



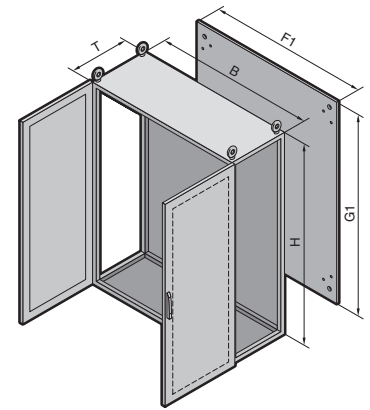
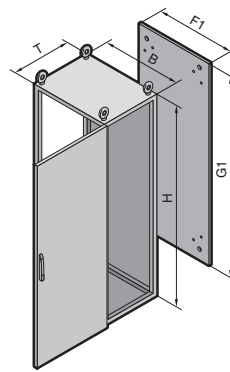
**Snap-on nut** for screw-fastening to the vertical section, Model No. see page 1005.



**System window** to protect against unauthorised access and preserve the protection category, Model No. see page 943.

# Baying systems TS 8

Height: 1800, depth: 500



Baying systems TS 8  
1.3

**Material:**

Sheet steel  
Enclosure frame, roof, rear panel and gland plates: 1.5 mm  
Door: 2.0 mm  
Mounting plate: 3.0 mm

**Surface finish:**

Enclosure frame: Dipcoat-primed  
Door, roof and rear panel: Dipcoat-primed, powder-coated in textured RAL 7035 on the outside  
Mounting plates and gland plates: Zinc-plated

**Protection category:**

IP 55 to EN 60 529/09.2000, complies with NEMA 12 (except TS 8485.510).

**Supply includes:**

Enclosure frame with doors, mounting plate, gland plates, rear panel and roof plate.

**Accessories:**

Corner enclosures, see page 933.

**Possible alternative:**

Instead of a door or rear panel, matching section doors with integral cooling module, see page 633 – 634.

**Approvals,**

see page 30.  
**Detailed drawing/nominal dimensions,**  
see page 1184 – 1185.

Width (B) mm	Packs of	400	600	800	800	1200	Page
Height (H) mm		1800	1800	1800	1800	1800	
Depth (T) mm		500	500	500	500	500	
Mounting plate width (F1) mm		–	499	699	699	1099	
Mounting plate height (G1) mm		–	1696	1696	1696	1696	
<b>Model No. TS</b>	1	<b>8485.510<sup>1)</sup></b>	<b>8685.500</b>	<b>8885.500</b>	<b>8880.500</b>	<b>8285.500</b>	
Door(s)		1	1	1	2	2	
Weight (kg)		49.2	93.8	115.8	122.5	173.3	

Walls							
Side panels	2	8185.235	8185.235	8185.235	8185.235	8185.235	917
Divider panel	1	8609.850	8609.850	8609.850	8609.850	8609.850	921
Divider panel for module plates	1	8609.100	8609.100	8609.100	8609.100	8609.100	922

Base/plinth								
Components front and rear	Height 100 mm	1 set	8601.400	8601.600	8601.800	8601.800	8601.200	893
	Height 200 mm	1 set	8602.400	8602.600	8602.800	8602.800	8602.200	893
Trim panels (sides)	Height 100 mm	1 set	8601.050	8601.050	8601.050	8601.050	8601.050	893
	Height 200 mm	1 set	8602.050	8602.050	8602.050	8602.050	8602.050	893

Accessories							
Cable clamp rails for cable clamps	2	4193.000	4191.000	4192.000	4192.000	4196.000	1061
Cable clamp rails (C section) for cable clamps	6	–	4944.000	4945.000	4945.000	4947.000	999
Support strips for door	20	–	4596.000	4598.000	4594.000	4596.000	964
Wiring plan pocket, sheet steel	1	–	4116.000	4118.000	4114.000	4116.000	967

**Lock systems**  
Standard double-bit lock insert may be exchanged for lock inserts, type F, see page 956, and comfort handle, see page 947 – 948.

<sup>1)</sup> Without tubular door frame, mounting plate and gland plates. Available to order as accessories: Mounting plate, see page 987, gland plates, see from page 911.  
**To order enclosures in textured RAL 7032 please add extension .600 or .610 to the Model No., and for primed enclosures use extension .800 or .810. Delivery times available on request.**



**Interface flap**

for safe, modular accommodation of sockets and interfaces, Model No. see page 1151.

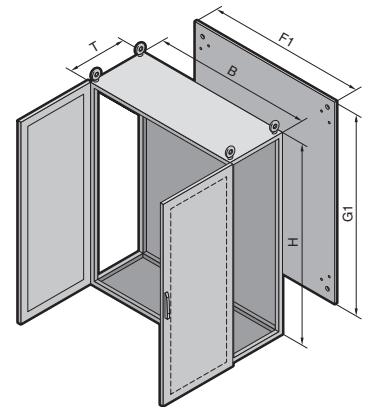
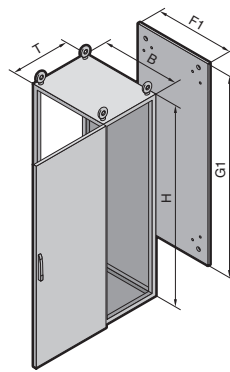


**Compact light**

for space-saving installation on a vertical or horizontal section, Model No. see page 1027.

# Baying systems TS 8

Height: 1800, depth: 600



**Material:**

Sheet steel  
Enclosure frame, roof, rear panel and gland plates: 1.5 mm  
Door: 2.0 mm  
Mounting plate: 3.0 mm

**Surface finish:**

Enclosure frame: Dipcoat-primed  
Door, roof and rear panel: Dipcoat-primed, powder-coated in textured RAL 7035 on the outside

Mounting plates and gland plates: Zinc-plated

**Supply includes:**

Enclosure frame with doors, mounting plate, gland plates, rear panel, roof plate and 2 support strips (TS 4696.000, see page 997), fitted in the enclosure depth.

**Protection category:**

IP 55 to EN 60 529/09.2000, complies with NEMA 12 (except TS 8486.510).



**Accessories:**

Corner enclosures, see page 933.



**Possible alternative:**

Instead of a door or rear panel, matching section doors with integral cooling module, see page 633 – 634.

**Approvals,** see page 30.

**Detailed drawing/nominal dimensions,** see page 1184 – 1185.

Width (B) mm	Packs of	400	600	800	800	1200	Page
Height (H) mm		1800	1800	1800	1800	1800	
Depth (T) mm		600	600	600	600	600	
Mounting plate width (F1) mm		–	499	699	699	1099	
Mounting plate height (G1) mm		–	1696	1696	1696	1696	
<b>Model No. TS</b>	1	<b>8486.510<sup>1)</sup></b>	<b>8686.500</b>	<b>8886.500</b>	<b>8881.500</b>	<b>8286.500</b>	
Door(s)		1	1	1	2	2	
Weight (kg)		51.7	96.8	120.3	125.8	179.9	

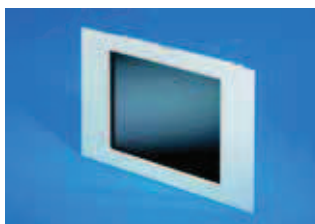
<b>Walls</b>							
Side panels	2	8186.235	8186.235	8186.235	8186.235	8186.235	917
Divider panel	1	8609.860	8609.860	8609.860	8609.860	8609.860	921
Divider panel for module plates	1	8609.110	8609.110	8609.110	8609.110	8609.110	922
Climate control side panel	1	3331.XXX	3331.XXX	3331.XXX	3331.XXX	3331.XXX	635

<b>Base/plinth</b>								
Components front and rear	Height 100 mm	1 set	8601.400	8601.600	8601.800	8601.800	8601.200	893
	Height 200 mm	1 set	8602.400	8602.600	8602.800	8602.800	8602.200	893
Trim panels (sides)	Height 100 mm	1 set	8601.060	8601.060	8601.060	8601.060	8601.060	893
	Height 200 mm	1 set	8602.060	8602.060	8602.060	8602.060	8602.060	893

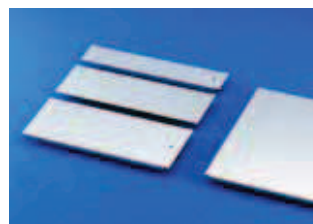
<b>Accessories</b>							
Cable clamp rails for cable clamps	2	4193.000	4191.000	4192.000	4192.000	4196.000	1061
Cable clamp rails (C section) for cable clamps	6	–	4944.000	4945.000	4945.000	4947.000	999
Support strips for door	20	–	4596.000	4598.000	4594.000	4596.000	964
Wiring plan pocket, sheet steel	1	–	4116.000	4118.000	4114.000	4116.000	967

**Lock systems**  
Standard double-bit lock insert may be exchanged for lock inserts, type F, see page 956, and comfort handle, see page 947 – 948.

<sup>1)</sup> Without tubular door frame, mounting plate and gland plates. Available to order as accessories: Mounting plate, see page 987, gland plates, see from page 913. **To order enclosures in textured RAL 7032 please add extension .600 or .610 to the Model No., and for primed enclosures use extension .800 or .810. Delivery times available on request.**



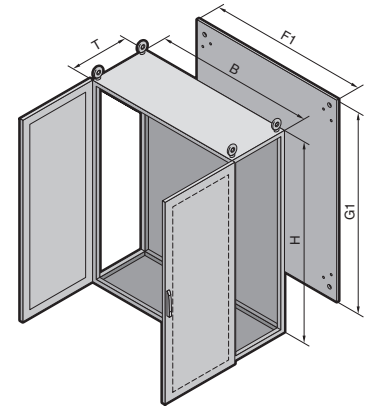
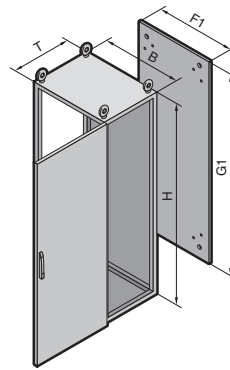
**TFT monitor**  
for installation in doors and side panels,  
Model No. see page 1133.



**Gland plates,**  
Model No. see from page 911.

# Baying systems TS 8

Height: 2000, depth: 400



Baying systems TS 8  
1.3

**Material:**

Sheet steel  
Enclosure frame, roof, rear panel and gland plates: 1.5 mm  
Door: 2.0 mm  
Mounting plate: 3.0 mm

**Surface finish:**

Enclosure frame: Dipcoat-primed  
Door, roof and rear panel: Dipcoat-primed, powder-coated in textured RAL 7035 on the outside  
Mounting plates and gland plates: Zinc-plated

**Protection category:**

IP 55 to EN 60 529/09.2000, complies with NEMA 12.

**Supply includes:**

Enclosure frame with doors, mounting plate, gland plates, rear panel and roof plate.

**Accessories:**

Corner enclosures, see page 933.

**Possible alternative:**

Instead of a door or rear panel, matching section doors with integral cooling module, see page 633 – 634.

**Approvals,** see page 30.

**Detailed drawing/nominal dimensions,** see page 1184 – 1185.

Width (B) mm	Packs of	600	800	1000	1200	Page
Height (H) mm		2000	2000	2000	2000	
Depth (T) mm		400	400	400	400	
Mounting plate width (F1) mm		499	699	899	1099	
Mounting plate height (G1) mm		1896	1896	1896	1896	
<b>Model No. TS</b>	1	<b>8604.500</b>	<b>8804.500</b>	<b>8004.500</b>	<b>8204.500</b>	
Door(s)		1	1	2	2	
Weight (kg)		99.0	124.0	152.8	184.5	

<b>Walls</b>						
Side panels	2	8104.235	8104.235	8104.235	8104.235	917
Divider panel	1	8609.040	8609.040	8609.040	8609.040	921

<b>Base/plinth</b>							
Components front and rear	Height 100 mm	1 set	8601.600	8601.800	8601.000	8601.200	893
	Height 200 mm	1 set	8602.600	8602.800	8602.000	8602.200	893
Trim panels (sides)	Height 100 mm	1 set	8601.040	8601.040	8601.040	8601.040	893
	Height 200 mm	1 set	8602.040	8602.040	8602.040	8602.040	893

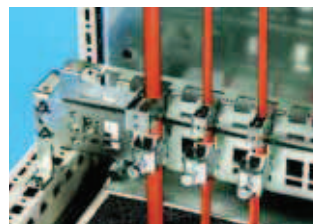
<b>Accessories</b>						
Cable clamp rails for cable clamps	2	4191.000	4192.000	4336.000	4196.000	1061
Cable clamp rails (C section) for cable clamps	6	4944.000	4945.000	4946.000	4947.000	999
Support strips for door	20	4596.000	4598.000	4309.000	4596.000	964
Wiring plan pocket, sheet steel	1	4116.000	4118.000	4115.000	4116.000	967

**Lock systems**  
Standard double-bit lock insert may be exchanged for lock inserts, type F, see page 956, and comfort handle, see page 947 – 948.

**To order enclosures in textured RAL 7032 please add extension .600 to the Model No., and for primed enclosures use extension .800. Delivery times available on request.**



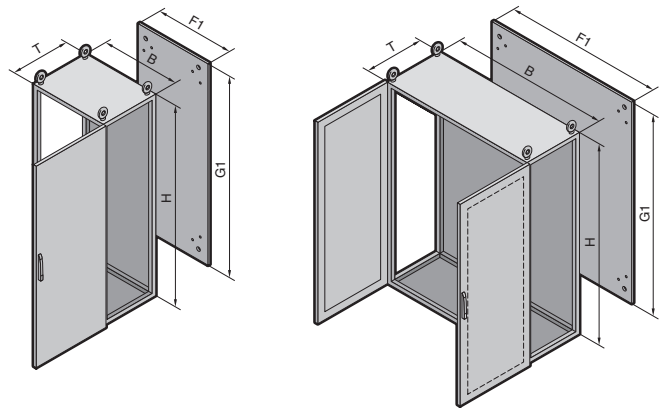
**Cable trunking, vertical,** to match the section and horizontally to match the mounting plate, Model No. see page 1059 – 1060.



**Rail** for EMC shielding brackets and cable clamps, Model No. see page 1031.

# Baying systems TS 8

Height: 2000, depth: 500



1.3 B Baying systems TS 8

**Material:**

Sheet steel  
Enclosure frame, roof, rear panel and gland plates: 1.5 mm  
Door: 2.0 mm  
Mounting plate: 3.0 mm

**Surface finish:**

Enclosure frame: Dipcoat-primed  
Door, roof and rear panel: Dipcoat-primed, powder-coated in textured RAL 7035 on the outside  
Mounting plate and gland plates: Zinc-plated

**Protection category:**

IP 55 to EN 60 529/09.2000, complies with NEMA 12 (except TS 8405.510).

**Supply includes:**

Enclosure frame with doors, mounting plate, gland plates, rear panel and roof plate.

**Accessories:**

Corner enclosures, see page 933.

**Possible alternative:**

Instead of a door or rear panel, matching section doors with integral cooling module, see page 633 – 634.

**Approvals,** see page 30.

**Detailed drawing/nominal dimensions,** see page 1184 – 1185.

	Packs of	400	600	800	1000	1200	Page
<b>Width (B) mm</b>							
<b>Height (H) mm</b>		2000	2000	2000	2000	2000	
<b>Depth (T) mm</b>		500	500	500	500	500	
Mounting plate width (F1) mm		–	499	699	899	1099	
Mounting plate height (G1) mm		–	1896	1896	1896	1896	
<b>Model No. TS</b>	1	<b>8405.510<sup>1)</sup></b>	<b>8605.500</b>	<b>8805.500</b>	<b>8005.500</b>	<b>8205.500</b>	
Door(s)		1	1	1	2	2	
Weight (kg)		60.7	101.3	126.3	157.1	190.6	

<b>Walls</b>							
Side panels	2	8105.235	8105.235	8105.235	8105.235	8105.235	917
Divider panel	1	8609.050	8609.050	8609.050	8609.050	8609.050	921
Divider panel for module plates	1	8609.120	8609.120	8609.120	8609.120	8609.120	922

<b>Base/plinth</b>								
Components front and rear	Height 100 mm	1 set	8601.400	8601.600	8601.800	8601.000	8601.200	893
	Height 200 mm	1 set	8602.400	8602.600	8602.800	8602.000	8602.200	893
Trim panels (sides)	Height 100 mm	1 set	8601.050	8601.050	8601.050	8601.050	8601.050	893
	Height 200 mm	1 set	8602.050	8602.050	8602.050	8602.050	8602.050	893

<b>Accessories</b>							
Cable clamp rails for cable clamps	2	4193.000	4191.000	4192.000	4336.000	4196.000	1061
Cable clamp rails (C section) for cable clamps	6	–	4944.000	4945.000	4946.000	4947.000	999
Support strips for door	20	–	4596.000	4598.000	4309.000	4596.000	964
Wiring plan pocket, sheet steel	1	–	4116.000	4118.000	4115.000	4116.000	967

**Lock systems**  
Standard double-bit lock insert may be exchanged for lock inserts, type F, see page 956 and comfort handle, see page 947 – 948.

<sup>1)</sup> Without tubular door frame, mounting plate and gland plates. Available to order as accessories: Mounting plate, see page 987, gland plates, see from page 911. To order enclosures in textured RAL 7032 please add extension .600 or .610 to the Model No., and for primed enclosures use extension .800 or .810. Delivery times available on request.



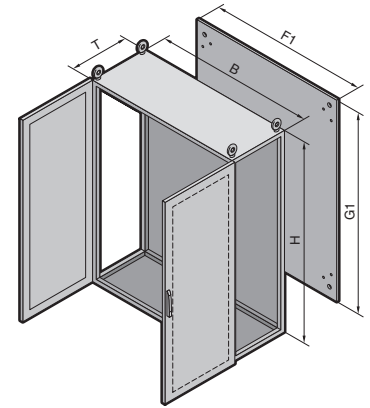
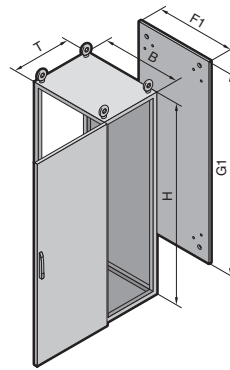
**Cable glands**  
of polyamide or brass,  
Model No. see page 1054.



**Keyboard,**  
pull-out with integral trackball,  
Model No. see page 1137.

# Baying systems TS 8

Height: 2000, depth: 600



### Material:

Sheet steel  
Enclosure frame, roof, rear panel and gland plates: 1.5 mm  
Door: 2.0 mm  
Mounting plate: 3.0 mm

### Surface finish:

Enclosure frame: Dipcoat-primed  
Door, roof and rear panel: Dipcoat-primed, powder-coated in textured RAL 7035 on the outside

Mounting plates and gland plates: Zinc-plated

### Supply includes:

Enclosure frame with doors, mounting plate, gland plates, rear panel, roof plate and 2 support strips (TS 4696.000, see page 997), fitted in the enclosure depth.

### Protection category:

IP 55 to EN 60 529/09.2000, complies with NEMA 12 (except TS 8406.510).

### Accessories:

Corner enclosures, see page 933.

### Possible alternative:

Instead of a door or rear panel, matching section doors with integral cooling module, see page 633 – 634.

Approvals, see page 30.

Detailed drawing/nominal dimensions, see page 1184 – 1185.

Width (B) mm	Packs of	400	600	800	1000	1200	Page
Height (H) mm		2000	2000	2000	2000	2000	
Depth (T) mm		600	600	600	600	600	
Mounting plate width (F1) mm		–	499	699	899	1099	
Mounting plate height (G1) mm		–	1896	1896	1896	1896	
<b>Model No. TS</b>	1	<b>8406.510<sup>1)</sup></b>	<b>8606.500</b>	<b>8806.500</b>	<b>8006.500</b>	<b>8206.500</b>	
Door(s)		1	1	1	2	2	
Weight (kg)		55.7	104.0	130.5	161.2	194.6	

Walls							
Side panels	2	8106.235	8106.235	8106.235	8106.235	8106.235	917
Divider panel	1	8609.060	8609.060	8609.060	8609.060	8609.060	921
Divider panel for module plates	1	8609.130	8609.130	8609.130	8609.130	8609.130	922
Climate control side panel	1	3331.XXX	3331.XXX	3331.XXX	3331.XXX	3331.XXX	635

Base/plinth								
Components front and rear	Height 100 mm	1 set	8601.400	8601.600	8601.800	8601.000	8601.200	893
	Height 200 mm	1 set	8602.400	8602.600	8602.800	8602.000	8602.200	893
Trim panels (sides)	Height 100 mm	1 set	8601.060	8601.060	8601.060	8601.060	8601.060	893
	Height 200 mm	1 set	8602.060	8602.060	8602.060	8602.060	8602.060	893

Accessories							
Cable clamp rails for cable clamps	2	4193.000	4191.000	4192.000	4336.000	4196.000	1061
Cable clamp rails (C section) for cable clamps	6	–	4944.000	4945.000	4946.000	4947.000	999
Support strips for door	20	–	4596.000	4598.000	4309.000	4596.000	964
Wiring plan pocket, sheet steel	1	–	4116.000	4118.000	4115.000	4116.000	967

**Lock systems**  
Standard double-bit lock insert may be exchanged for lock inserts, type F, see page 956, and comfort handle, see page 947 – 948.

<sup>1)</sup> Without tubular door frame, mounting plate and gland plates. Available to order as accessories: Mounting plate, see page 987, gland plates, see from page 911. To order enclosures in textured RAL 7032 please add extension .600 or .610 to the Model No., and for primed enclosures use extension .800 or .810. Delivery times available on request.



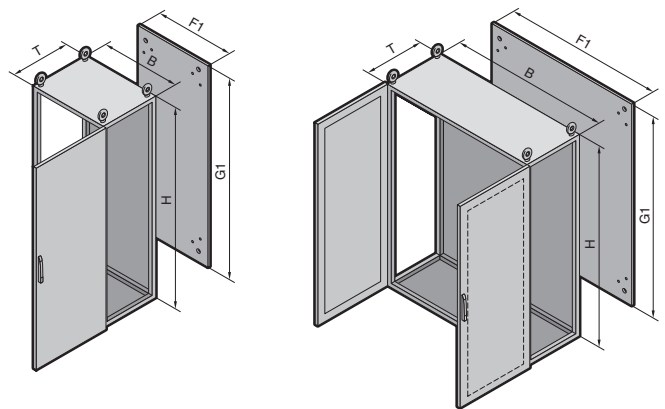
**Section for cable entry**  
for top mounting on gland plates with routing of the cable clamp strip, Model No. see page 1046.



**Module plate**  
for cable entry in the divider panel, Model No. see page 923 – 924.

# Baying systems TS 8

Height: 2000, depth: 800



1.3 B Baying systems TS 8

**Material:**

Sheet steel  
Enclosure frame, roof, rear panel and gland plates: 1.5 mm  
Door: 2.0 mm  
Mounting plate: 3.0 mm

**Surface finish:**

Enclosure frame: Dipcoat-primed  
Door, roof and rear panel: Dipcoat-primed, powder-coated in textured RAL 7035 on the outside  
Mounting plates and gland plates: Zinc-plated

**Protection category:**

IP 55 to EN 60 529/09.2000, complies with NEMA 12.

**Supply includes:**

Enclosure frame with doors, mounting plate, gland plates, rear panel and roof plate.

**Accessories:**

Corner enclosures, see page 933.

**Possible alternative:**

Instead of a door or rear panel, matching section doors with integral cooling module, see page 633 – 634.

**Approvals,**  
see page 30.

**Detailed drawing/nominal dimensions,**  
see page 1184 – 1185.

Width (B) mm	Packs of	600	800	1200	Page	
Height (H) mm		2000	2000	2000		
Depth (T) mm		800	800	800		
Mounting plate width (F1) mm		499	699	1099		
Mounting plate height (G1) mm		1896	1896	1896		
<b>Model No. TS</b>	1	<b>8608.500</b>	<b>8808.500</b>	<b>8208.500</b>		
Door(s)		1	1	2		
Weight (kg)		111.3	137.0	203.0		
<b>Walls</b>						
Side panels	2	8108.235	8108.235	8108.235	917	
Divider panel	1	8609.080	8609.080	8609.080	921	
TS 8 internal fan mounting panel	1	3348.200	3348.200	3348.200	707	
<b>Base/plinth</b>						
Components front and rear	Height 100 mm	1 set	8601.600	8601.800	8601.200	893
	Height 200 mm	1 set	8602.600	8602.800	8602.200	893
Trim panels (sides)	Height 100 mm	1 set	8601.080	8601.080	8601.080	893
	Height 200 mm	1 set	8602.080	8602.080	8602.080	893
<b>Accessories</b>						
Cable clamp rails for cable clamps	2	4191.000	4192.000	4196.000	1061	
Cable clamp rails (C section) for cable clamps	6	4944.000	4945.000	4947.000	999	
Support strips for door	20	4596.000	4598.000	4596.000	964	
Wiring plan pocket, sheet steel	1	4116.000	4118.000	4116.000	967	
<b>Lock systems</b>						
Standard double-bit lock insert may be exchanged for lock inserts, type F, see page 956, and comfort handle, see page 947 – 948.						

To order enclosures in textured RAL 7032 please add extension .600 to the Model No., and for primed enclosures use extension .800. Delivery times available on request.



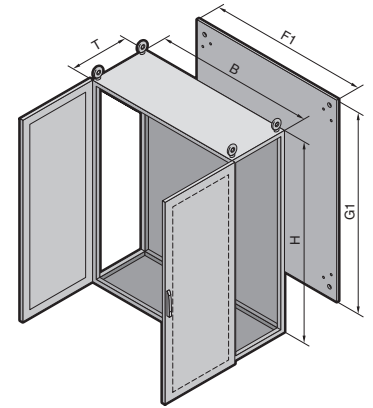
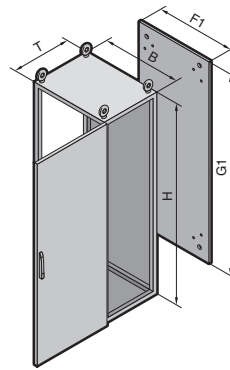
**Punched section without mounting flange 45 x 88 mm**  
The universal configuration solution with 11 rows of holes for heavy equipment and screw-fastening to the frame, Model No. see page 995.



**Mounting plate attachment**  
in conjunction with mounting plate infill, Model No. see page 979.

# Baying systems TS 8

Height: 2200, depth: 600



**Material:**

Sheet steel  
Enclosure frame, roof, rear panel and gland plates: 1.5 mm  
Door: 2.0 mm  
Mounting plate: 3.0 mm

**Surface finish:**

Enclosure frame: Dipcoat-primed  
Door, roof and rear panel: Dipcoat-primed, powder-coated in textured RAL 7035 on the outside  
Mounting plates and gland plates: Zinc-plated

**Protection category:**

IP 55 to EN 60 529/09.2000, complies with NEMA 12.

**Supply includes:**

Enclosure frame with doors, mounting plate, gland plates, rear panel and roof plate.



**Accessories:**

Corner enclosures, see page 933.

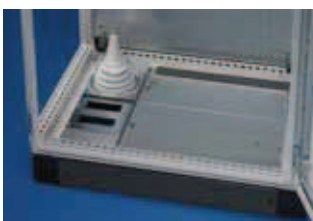
**Approvals,** see page 30.

**Detailed drawing/nominal dimensions,** see page 1184 – 1185.

Width (B) mm	Packs of	600	800	1200	Page	
Height (H) mm		2200	2200	2200		
Depth (T) mm		600	600	600		
Mounting plate width (F1) mm		499	699	1099		
Mounting plate height (G1) mm		2096	2096	2096		
<b>Model No. TS</b>	1	<b>8626.500</b>	<b>8826.500</b>	<b>8226.500</b>		
Door(s)		1	1	2		
Weight (kg)		113.1	139.3	208.0		
<b>Walls</b>						
Side panels	2	8126.235	8126.235	8126.235	917	
Divider panel	1	8609.260	8609.260	8609.260	921	
<b>Base/plinth</b>						
Components front and rear	Height 100 mm	1 set	8601.600	8601.800	8601.200	893
	Height 200 mm	1 set	8602.600	8602.800	8602.200	893
Trim panels (sides)	Height 100 mm	1 set	8601.060	8601.060	8601.060	893
	Height 200 mm	1 set	8602.060	8602.060	8602.060	893
<b>Accessories</b>						
Cable clamp rails for cable clamps	2	4191.000	4192.000	4196.000	1061	
Cable clamp rails (C section) for cable clamps	6	4944.000	4945.000	4947.000	999	
Support strips for door	20	4596.000	4598.000	4596.000	964	
Wiring plan pocket, sheet steel	1	4116.000	4118.000	4116.000	967	

**Lock systems**  
Standard double-bit lock insert may be exchanged for lock inserts, type F, see page 956, and comfort handle, see page 947 – 948.

**To order enclosures in textured RAL 7032 please add extension .600 to the Model No., and for primed enclosures use extension .800. Delivery times available on request.**



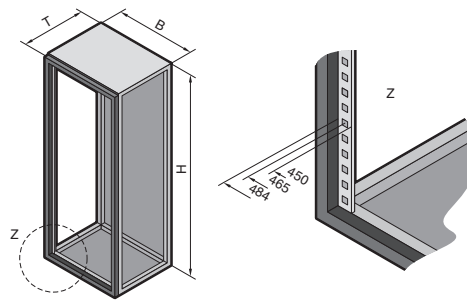
**Gland plate with sealing bar** for sub-dividing the base assembly for varying cable entry, Model No. see page 912.



**Module plate with cable sleeves** for cable diameters 10 – 65 mm, Model No. see page 924.

# Baying systems TS 8

## Electronic enclosure



### Material:

Enclosure frame:  
Sheet steel, 1.5 mm  
Front frame:  
Extruded aluminium sections  
with die-cast corner pieces  
Rear door: 2 mm sheet steel  
Roof and gland plates:  
1.5 mm sheet steel  
Adaptor sections: Aluminium

### Surface finish:

Enclosure frame:  
Dipcoat-primed  
Front frame, rear door and roof:  
Powder-coated in RAL 7035  
Gland plates: Zinc-plated

### Supply includes:

Enclosure frame, front frame  
(r/h hinge, opening angle 130°,  
held via mechanical snap fasteners on left),  
rear door (r/h hinge, may be  
swapped to opposite side), roof,  
adaptor sections and gland plates.

### Approvals,

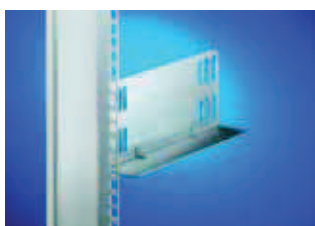
see page 31.

**Detailed drawing/nominal dimensions,**  
see page 1186.

U	Packs of	33	33	42	42	Page
Width (B) mm		600	600	600	600	
Height (H) mm		1600	1600	2000	2000	
Depth (T) mm		600	800	600	800	
<b>Model No. TS</b>	1	<b>8410.510</b>	<b>8418.510</b>	<b>8430.510</b>	<b>8438.510</b>	
Door(s)		1	1	1	1	
<b>Base/plinth</b>						
Components front and rear	Height 100 mm	1 set	8601.600	8601.600	8601.600	893
	Height 200 mm	1 set	8602.600	8602.600	8602.600	893
Trim panels (sides)	Height 100 mm	1 set	8601.060	8601.080	8601.060	893
	Height 200 mm	1 set	8602.060	8602.080	8602.060	893
<b>Accessories</b>						
Side panels	2	8166.235	8168.235	8106.235	8108.235	917
Cable clamp rails for cable clamps	2	4191.000	4191.000	4191.000	4191.000	1061
Cable clamp rails (C section) for cable clamps	6	4944.000	4944.000	4944.000	4944.000	999
Adaptor sections for rear	2	8613.360	8613.360	8613.300	8613.300	1090

Standard double-bit lock insert (in rear door) may be exchanged for lock inserts, type F, see page 956, and comfort handle, see page 947 – 948.

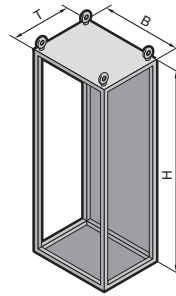
**For primed enclosures, please add extension .810 to the Model No. Delivery times available on request.**



**Slide rails,**  
Model No. see page 1097.



**Aluminium cross rail,**  
for sub-division of the front,  
Model No. see page 1090.



### The basic enclosures without

- Mounting plate for universal interior installation with
  - Partial mounting plates
  - Component shelves and drawers
  - Punched sections and rails
- Doors
  - Frame for the installation of
    - Partial doors with and without viewing panels
    - Fully glazed doors
    - Drawers and desk sections
    - Profile blanking frame
    - Vertically divided doors
    - Trim panels hinged at the top

### Material:

Sheet steel  
Enclosure frame, roof, rear panel and gland plates: 1.5 mm

### Surface finish:

Enclosure frame:  
Dipcoat-primed  
Door and rear panel:  
Dipcoat-primed, powder-coated in textured RAL 7035 on the outside  
Gland plates: Zinc-plated

### Supply includes:

Enclosure frame, roof, rear panel, gland plates, three-piece.

### Detailed drawing

(TS basic enclosures without door), see page 1186.

Width (B) mm	Packs of	600	800	Page	
Height (H) mm		2000	2000		
Depth (T) mm		600	600		
<b>Model No. TS</b>	1	<b>8606.512</b>	<b>8806.512</b>		
Weight (kg)		52.5	63.0		
<b>Walls</b>					
Side panels	2	8106.512	8106.512	942	
Divider panel	1	8609.060	8609.060	921	
Divider panel for module plates	1	8609.130	8609.130	922	
<b>Base/plinth</b>					
Components front and rear	Height 100 mm	1 set	8601.600	8601.800	893
	Height 200 mm	1 set	8602.600	8602.800	893
Trim panels (sides)	Height 100 mm	1 set	8601.060	8601.060	893
	Height 200 mm	1 set	8602.060	8602.060	893

To order enclosures in textured RAL 7032 please add extension .612 to the Model No., and for primed enclosures use extension .812. Delivery times available on request.



### Trim panels TS

For height trim at the top and bottom,  
Model No. see page 941.

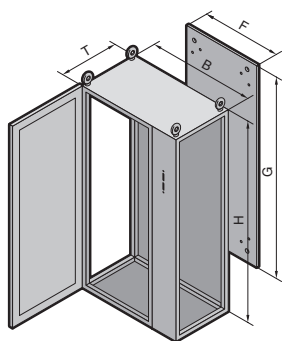


### Protective bar and holder,

Model No. see page 938.

# Baying systems TS 8

## For isolator door locking



1.3 B Baying systems TS 8

### Material:

Sheet steel  
Enclosure frame, roof, rear panel and gland plates: 1.5 mm  
Door and trim panel: 2.0 mm  
Mounting plate: 3.0 mm

### Surface finish:

Enclosure frame: Dipcoat-primed  
Door, trim panel, roof and rear panel: Dipcoat-primed, powder-coated in textured RAL 7035 on the outside  
Mounting plates and gland plates: Zinc-plated

### Protection category:

IP 55 to EN 60 529/09.2000  
Complies with NEMA 12 (with fitted/sealed isolator switch actuation)

### Supply includes:

Enclosure frame, door (l/h hinge), trim panel (r/h hinge, with a swing lever at the top and bottom, with cut-out for isolator switch actuation), roof, rear panel, mounting plate, three-piece gland plates.



### Rittal service:

Enclosures with 100 mm (instead of 200 mm) wide trim panel on request.

**Approvals,** see page 31.

**Detailed drawing/nominal dimensions,** see page 1187.

	Packs of	800	800	800	800	Page
<b>Width (B) mm</b>						
<b>Height (H) mm</b>		1800	1800	2000	2000	
<b>Depth (T) mm</b>		400	500	500	600	
Mounting plate width (F) mm		699	699	699	699	
Mounting plate height (G) mm		1696	1696	1896	1896	
<b>Model No. TS</b>	1	<b>8984.500</b>	<b>8985.500</b>	<b>8905.500</b>	<b>8906.500</b>	
Door(s)		1	1	1	1	
Weight (kg)		113.5	115.8	126.3	130.5	

### Base/plinth

Components front and rear	Height 100 mm	1 set	8601.800	8601.800	8601.800	8601.800	893
	Height 200 mm	1 set	8602.800	8602.800	8602.800	8602.800	893
Trim panels (sides)	Height 100 mm	1 set	8601.040	8601.050	8601.050	8601.060	893
	Height 200 mm	1 set	8602.040	8602.050	8602.050	8602.060	893

### Also required

Door latch for bayed suites						960
-----------------------------	--	--	--	--	--	-----

### Accessories

Isolator door locking (USA version)	1	8611.310	8611.310	8611.310	8611.310	960
-------------------------------------	---	----------	----------	----------	----------	-----

### Lock systems

Standard double-bit lock insert may be exchanged for lock inserts, type F, see page 956, and comfort handle, see page 947 – 948.

**To order enclosures in RAL 7032 please add extension .600 to the Model No., and for primed enclosures use extension .800. Delivery times available on request.**



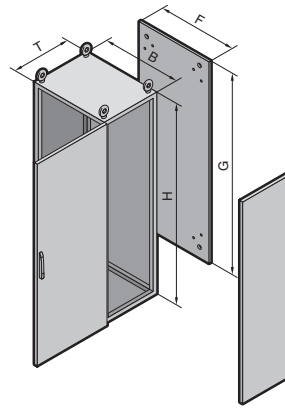
### Cable gland

Cable glands made from polyamide or brass, Model No. see page 1054.



### Snap-on nut

for screw-fastening to the vertical section, Model No. see page 1005.



**Material:**  
**NEMA 4x:**  
 Stainless steel 1.4301 (AISI 304)  
**NEMA 4:**  
 Sheet steel, spray-finished  
 Enclosure frame, roof, base/  
 plinth, rear panel, side panels:  
 1.5 mm  
 Door: 2.0 mm  
 Mounting plate:  
 3.0 mm (sheet steel)

**Surface finish:**  
**NEMA 4x:**  
 Enclosure frame: Uncoated  
 Door, roof, base, rear panel,  
 side panels: Brushed on the  
 outside, grain size 400  
 Mounting plate: Zinc-plated  
**NEMA 4:**  
 Enclosure frame, door, roof,  
 base, rear panel, side panels:  
 Dipcoat-primed  
 and powder-coated in textured  
 RAL 7035 on the outside  
 Mounting plate: Zinc-plated

**Protection category:**  
 IP 66 to EN 60 529/09.2000  
 (complies with NEMA 4x/  
 NEMA 4)

**Supply includes:**  
 NEMA 4x/NEMA 4:  
 Enclosure frame with door,  
 roof/base plate, rear panel,  
 side panels, mounting plate.



**Rittal service:**

Enclosures with depth 800 mm  
 on request.

**Approvals,**  
 see page 31.

	Packs of	NEMA 4x, stainless steel				NEMA 4, sheet steel				Page
<b>Width (B) mm</b>		600	800	600	800	600	800	600	800	
<b>Height (H) mm</b>		1800	1800	2000	2000	1800	1800	2000	2000	
<b>Depth (T) mm</b>		600	600	600	600	600	600	600	600	
Mounting plate width (F) mm		499	699	499	699	499	699	499	699	
Mounting plate height (G) mm		1696	1696	1896	1896	1696	1696	1896	1896	
<b>Model No. TS</b>	1	<b>8458.640</b>	<b>8459.640</b>	<b>8452.640</b>	<b>8450.640</b>	<b>8686.540</b>	<b>8886.540</b>	<b>8606.540</b>	<b>8806.540</b>	
Door(s)		1	1	1	1	1	1	1	1	

<b>Base/plinth</b>											
Components front and rear	Height 100 mm	1 set	8701.600	8701.800	8701.600	8701.800	8601.600	8601.800	8601.600	8601.800	893, 899
	Height 200 mm	1 set	8702.600	8702.800	8702.600	8702.800	8602.600	8602.800	8602.600	8602.800	893, 899
Trim panels (sides)	Height 100 mm	1 set	8701.060	8701.060	8701.060	8701.060	8601.060	8601.060	8601.060	8601.060	893, 899
	Height 200 mm	1 set	8702.060	8702.060	8702.060	8702.060	8602.060	8602.060	8602.060	8602.060	893, 899
Base/plinth trim, modular SO		4	2913.000	2913.000	2913.000	2913.000	-	-	-	-	899

<b>Accessories</b>											
Cable clamp rails		2	4191.000	4192.000	4191.000	4192.000	4191.000	4192.000	4191.000	4192.000	1061
System support rails		2	4361.000	4362.000	4361.000	4362.000	4361.000	4362.000	4361.000	4362.000	1000
Support strips for door		20	4596.000	4598.000	4596.000	4598.000	4596.000	4598.000	4596.000	4598.000	964
Wiring plan pocket, sheet steel		1	4116.000	4118.000	4116.000	4118.000	4116.000	4118.000	4116.000	4118.000	967

**Lock systems**  
 Standard double-bit lock insert may be exchanged for lock inserts, type F, see page 956, and comfort handle, see page 947 – 948.

**Delivery times available on request.**



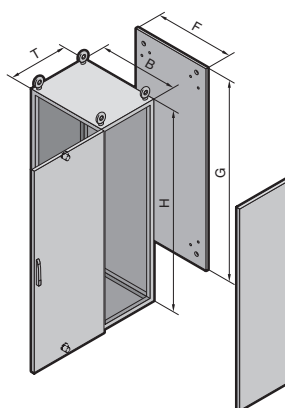
**Cable glands IP 68**  
 Cable glands made from  
 polyamide or brass,  
 Model No. see page 1054.



**Punched rail**  
 25 x 38 mm,  
 Model No. see page 996.

# Baying systems TS 8

## Prepared for EX pressurisation



With this empty enclosure and an external overpressure controller such as those offered by STAHL, Bartec or Gönzheimer, conventional operating materials may be used in explosion hazard areas. To this end, a permanent overpressure is applied to the enclosure which prevents the ingress of potentially explosive atmospheres.

Empty enclosure, prepared for pressurisation, ensures efficient operation thanks to low leakage rates of approximately 20 l/min, at 2 mbar overpressure.

Ex overpressure enclosures must be constructed and operated in conformity with standards DIN EN 60 079-0 and DIN EN 60 079-2.

For populated enclosures of protection type "p", in accordance with Directive 94/9 EC, type testing certification from a designated office is required.

### Design:

- Base as for roof
- Reinforced:
  - Rear panel
  - Side panels
  - Door with additional cams top and bottom, r/h hinge, l/h hinge on request

### Surface finish:

Sheet steel:  
 Enclosure frame: Dipcoat-primed door, roof, base, side panels and rear panel: Dipcoat-primed, powder-coated in textured RAL 7035 on the outside  
 Mounting plate: Zinc-plated

Stainless steel:  
 Enclosure frame: Uncoated  
 Door, side panels, roof, base/plinth, and rear panel: Brushed, grain size 400  
 Mounting plate: Zinc-plated

### Protection category:

IP 55 to EN 60 529/09.2000 complies with NEMA 12

### Supply includes:

Enclosure frame with door (with additional cam top and bottom), roof/base plate, rear panel, side panels, mounting plate.



### Rittal service:

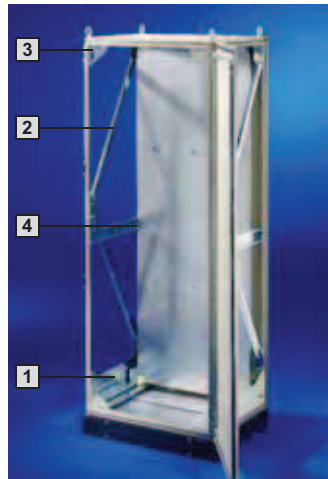
Enclosures for baying available on request.

<b>Width (B) mm</b>	600	800	600	800	600	800	1000	600	800	600	–
<b>Height (H) mm</b>	1400	1400	1600	1600	1800	1800	1800	1800	1800	1800	–
<b>Depth (T) mm</b>	500	500	500	500	400	400	400	500	500	600	–
Mounting plate width (F) mm	499	699	499	699	499	699	899	499	699	499	–
Mounting plate height (G) mm	1296	1296	1496	1496	1696	1696	1696	1696	1696	1696	–
<b>Model No. TS sheet steel</b>	<b>8645.560</b>	<b>8845.560</b>	<b>8665.560</b>	<b>8865.560</b>	<b>8684.560</b>	<b>8884.560</b>	<b>8084.560</b>	<b>8685.560</b>	<b>8885.560</b>	<b>8686.560</b>	–

<b>Width (B) mm</b>	800	600	800	600	800	600	800	600	800	600	800
<b>Height (H) mm</b>	1800	2000	2000	2000	2000	2000	2000	2000	2000	2200	2200
<b>Depth (T) mm</b>	600	400	400	500	500	600	600	800	800	600	600
Mounting plate width (F) mm	699	499	699	499	699	499	699	499	699	499	699
Mounting plate height (G) mm	1696	1896	1896	1896	1896	1896	1896	1896	1896	2096	2096
<b>Model No. TS sheet steel</b>	<b>8886.560</b>	<b>8604.560</b>	<b>8804.560</b>	<b>8605.560</b>	<b>8805.560</b>	<b>8606.560</b>	<b>8806.560</b>	<b>8608.560</b>	<b>8808.560</b>	<b>8626.560</b>	<b>8826.560</b>

<b>Width (B) mm</b>	800	1000	600	800	600	600	800	800	–	–	–
<b>Height (H) mm</b>	1800	1800	1800	1800	1800	2000	2000	2000	–	–	–
<b>Depth (T) mm</b>	400	400	500	500	600	600	600	800	–	–	–
Mounting plate width (F) mm	699	899	499	699	499	499	699	699	–	–	–
Mounting plate height (G) mm	1696	1696	1696	1696	1696	1896	1896	1896	–	–	–
<b>Model No. TS stainless steel</b>	<b>8454.660</b>	<b>8461.660</b>	<b>8457.660</b>	<b>8455.660</b>	<b>8458.660</b>	<b>8452.660</b>	<b>8450.660</b>	<b>8460.660</b>	–	–	–

Delivery times available on request.



### TS 8 for earthquake zone 1, 2 and 3 to Bellcore

TS 8806.500:  
W x H x D 800 x 2000 x 600 mm

With base/plinth (base/plinth components front and rear and base/plinth trim, side, see page 893), 100 mm high with a weight load of 125 kg spread evenly over the mounting plate.

#### Note:

These versions have been tested and meet the requirements to Telcordia GR 63-CORE. They should be seen as a comparative variable to the customer's own plant, since the certification of empty enclosures is not possible.

### TS 8 for earthquake zone 4 to Bellcore

TS 8806.500:  
W x H x D 800 x 2000 x 600 mm

Fitted with:

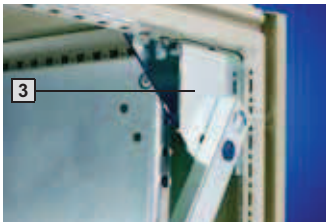
- Earthquake kit and
- Earthquake base/plinth, see page 153,

with weight load of 450 kg distributed evenly over the mounting plate.



#### Rittal service:

- Mounting on the enclosure on request.



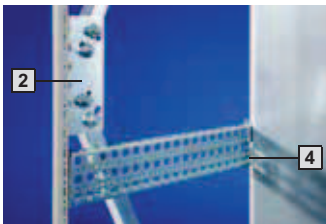
### Earthquake kit

**Material:**  
Sheet steel

**Surface finish:**  
Zinc-plated, passivated

#### Supply includes:

- 1 2 side reinforcements, bottom
- 2 2 bracing struts each, sides
- 3 8 gusset plates
- 4 Mounting plate attachment and reinforcement including assembly parts



For enclosures W x H x D mm	Packs of	Model No. TS
800 x 2000 x 600	1	<b>8613.860</b>
600 x 2000 x 600	1	<b>8613.660<sup>1)</sup></b>
600 x 2000 x 400	1	<b>8613.640<sup>1)</sup></b>

<sup>1)</sup> Delivery times available on request.



### Earthquake base/plinth

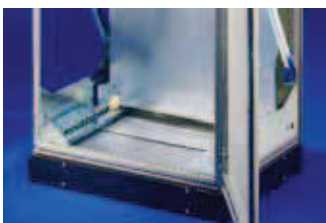
Height 100 mm

**Material:**  
Sheet steel  
Corner pieces: 5 mm  
Trim panels: 2 mm

**Surface finish:**  
Powder-coated in RAL 7022

#### Supply includes:

- 1 set =
- 4 corner pieces
  - 2 depth stays
  - 1 trim panel each front and rear fully assembled.



For enclosures W x D mm	Packs of	Model No. TS
800 x 600	1	<b>8601.860</b>
600 x 600	1	<b>8601.660<sup>1)</sup></b>
600 x 400	1	<b>8601.640<sup>1)</sup></b>

<sup>1)</sup> Delivery times available on request.