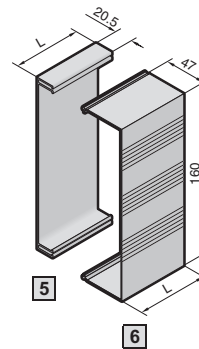
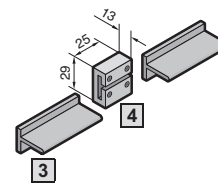
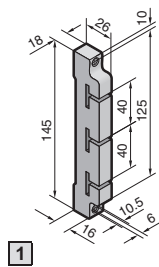
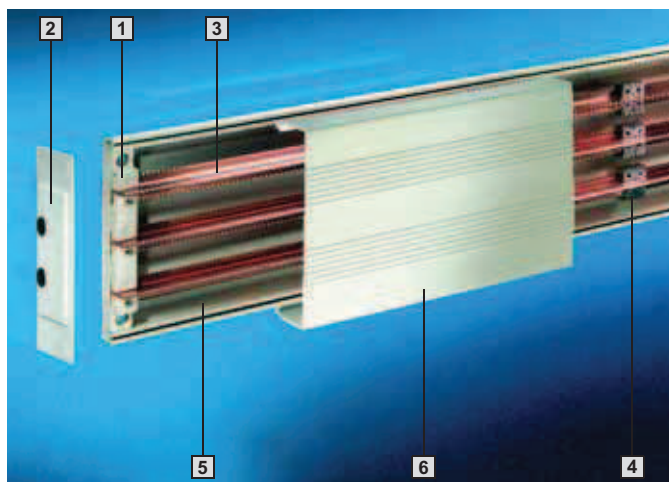


Busbar systems up to 250 A (40 mm)

Mini-PLS busbar supports (3-pole)



B
2.1
Busbar systems up to 250 A (40 mm)

Material:
Polyamide (PA 6.6),
30 % fibreglass-reinforced.
Continuous operating
temperature max. 140°C.
Fire protection corresponding
to UL 94-V0.

Colour:
RAL 7035

**Short-circuit protection
diagram,**
see page 1228.

Design	Packs of	1
Number of poles		3-pole
Bar centre distance		40 mm
Model No. SV	4	9600.000
Accessories		
2 End covers for contact hazard protection on the sides	2	9610.000

3 Mini-PLS special busbars

E-Cu 120 mm², 3 mm bar thickness.

Length mm	Packs of	Model No. SV
500	3	9601.000
700	3	9602.000
1100	3	9603.000
1500	3	9624.000
Accessories		
4 Busbar connectors for connecting the busbars; no drilling required	3	9611.000¹⁾

¹⁾ Maximum tightening torque 2 Nm.

5 Mini-PLS base tray sections

For rear contact hazard protection of the Mini-PLS assembly.

Length (L) mm	Packs of	Model No. SV
250	1	9604.000
500	1	9605.000
700	1	9606.000
1100	1	9607.000

6 Mini-PLS cover sections

May be cut to length individually; for clip-on mounting onto the Mini-PLS base tray section.

Length (L) mm	Packs of	Model No. SV
250	1	9608.000
500	1	9609.000

Material

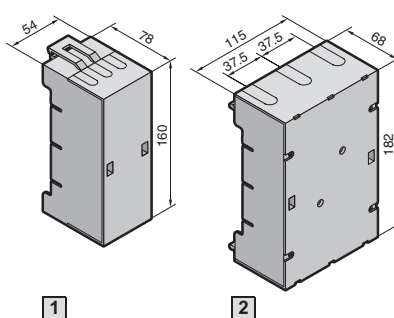
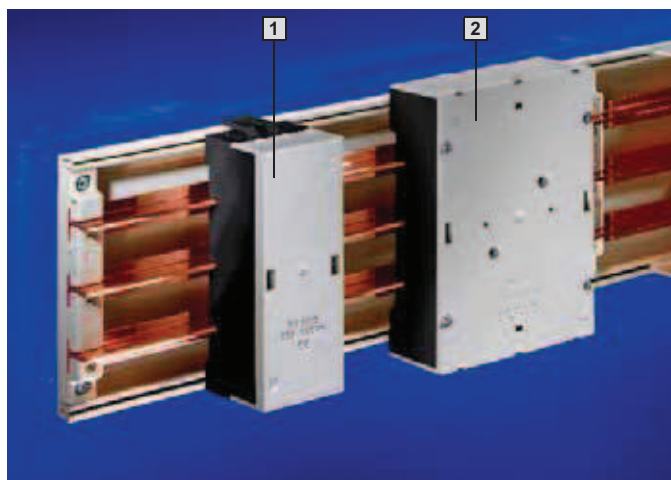
Base tray and cover sections:

Thermally modified hard PVC.
Continuous operating temperature max. 91°C.
Fire protection corresponding to UL 94-V0.

Colour:
RAL 7035

Busbar systems up to 250 A (40 mm)

Mini-PLS busbar connection adaptors (3-pole)



Material:

Polyamide (PA 6.6),
30 % fibreglass-reinforced.
Continuous operating
temperature max. 140°C.
Fire protection corresponding
to UL 94-V0.

Supply includes:

Cover.

Colour:

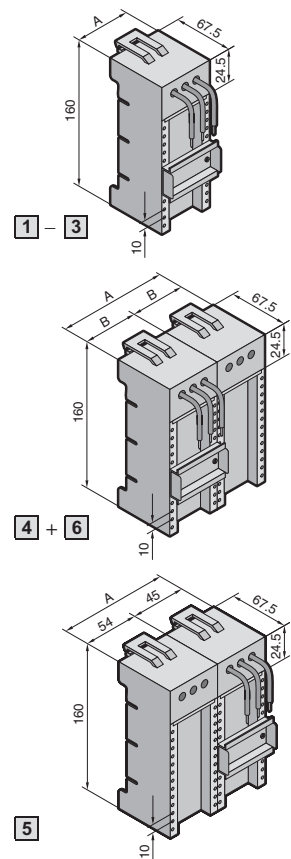
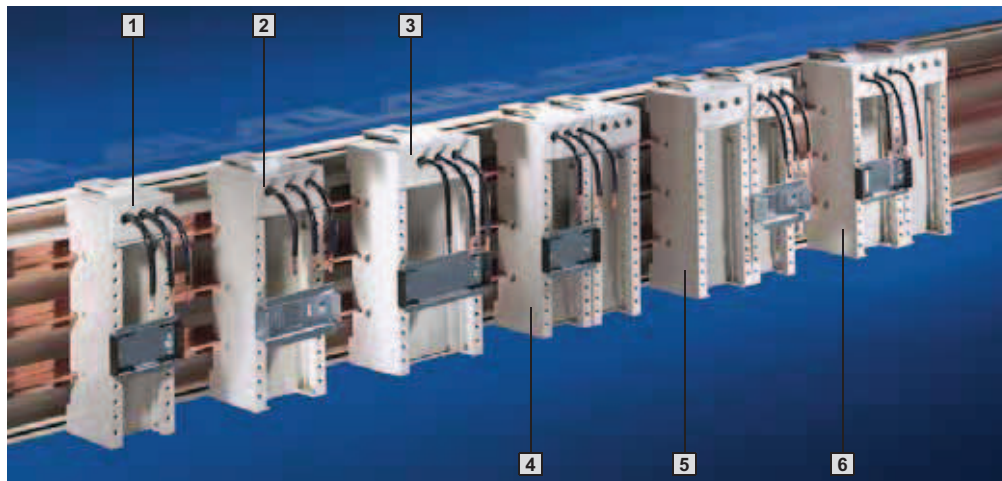
RAL 7035 (cover),
RAL 9011 (chassis)

Design	1	2	Page
Rated current up to	63 A	250 A	
Rated operating voltage	690 V~	690 V~	
Connection	top/bottom	top/bottom	
Connection of round conductors ¹⁾	1.5 – 35 mm ²	10 – 120 mm ²	
Clamping area for laminated copper bars	10 x 8 mm	17 x 15 mm	
Tightening torque			
• Terminal screw	2 – 3 Nm	4 – 6 Nm	
Packs of	1	1	
Model No. SV	9613.000	9612.000	
Accessories			
Laminated copper bars	■	■	411

¹⁾ Wire end ferrules should be used with fine wire conductors.

Busbar systems up to 250 A (40 mm)

Mini-PLS component adaptors 12 A/25 A (3-pole)



B
2.1
Busbar systems up to 250 A (40 mm)

Material:
Polyamide (PA 6.6),
30 % fibreglass-reinforced.
Continuous operating
temperature max. 140°C.
Fire protection corresponding
to UL 94-V0.

Colour:
RAL 7035

Note:
Overview of switchgear for the
appropriate adaptor,
see page 1236.

The current carrying capacity
of the supply cables fitted as
standard can be found on
page 1236.

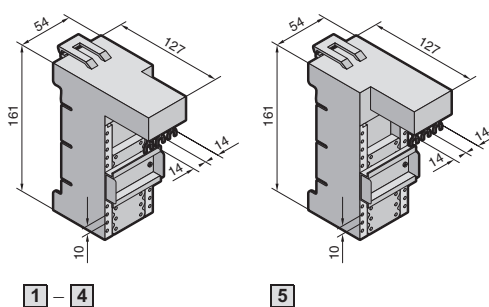
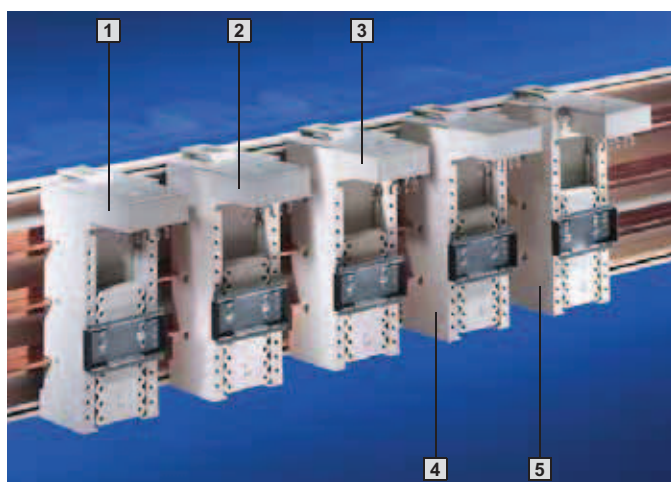
Design		1			2		3		4	5	6	Page
Construction width	A	45 mm			54 mm		72 mm		90 mm	99 mm	108 mm	
	B	-			-		-		45 mm	-	54 mm	
Rated current up to		12 A	25 A	25 A	25 A	25 A	25 A	25 A	25 A	25 A	25 A	
Rated operating voltage		690 V~	690 V~	690 V~	690 V~	690 V~	690 V~	690 V~	690 V~	690 V~	690 V~	
Cable outlet		top	top	top	top	top	top	top	top	top	top	
Connection cables ¹⁾		AWG 14	AWG 12	AWG 12	AWG 12	AWG 12	AWG 12	AWG 12	AWG 12	AWG 12	AWG 12	
Support rails	Qty.	1	1	1	1	1	1	1	1	1	1	
	Height	7.5 mm	7.5 mm	15 mm	7.5 mm	15 mm	7.5 mm	15 mm	7.5 mm	7.5 mm	7.5 mm	
Packs of		1	1	1	1	1	1	1	1	1	1	
Model No. SV		9614.110	9614.100	9615.100	9614.000	9615.000	9625.000	9626.000	9629.010	9629.020	9629.030	

Accessories	Packs of											
Insert strip	2	9623.000	9623.000	9623.000	9623.000	9623.000	9623.000	9623.000	9623.000	9623.000	9623.000	400
Support rails, width 45 mm, height 7.5 mm	10	9320.150	9320.150	9320.150	-	-	-	-	9320.150	9320.150	-	404
Support rails, width 54 mm, height 7.5 mm	10	-	-	-	3548.000	3548.000	-	-	-	3548.000	3548.000	404
Support rails, width 72 mm, height 7.5 mm	10	-	-	-	-	-	3549.000	3549.000	-	-	-	404
Plug-in connector	1	9623.100	9623.100	9623.100	9623.100	9623.100	-	-	9623.100	9623.100	9623.100	405

¹⁾ AWG = American Wire Gauges
AWG 14 = 2.08 mm² ± 2.5 mm²
AWG 12 = 3.31 mm² ± 4 mm²

Busbar systems up to 250 A (40 mm)

Mini-PLS quick-fit component adaptors 25 A/32 A (3-pole)



Rapid DIN rail adjustment for component connection.

Material:

Polyamide (PA 6.6),
30 % fibreglass-reinforced.
Continuous operating
temperature max. 140°C.
Fire protection corresponding
to UL 94-V0.

Colour:

RAL 7035

Note:

Overview of switchgear for the
appropriate adaptor,
see page 1236.

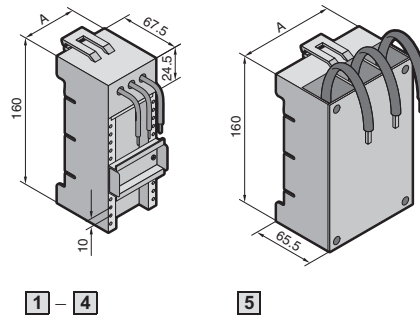
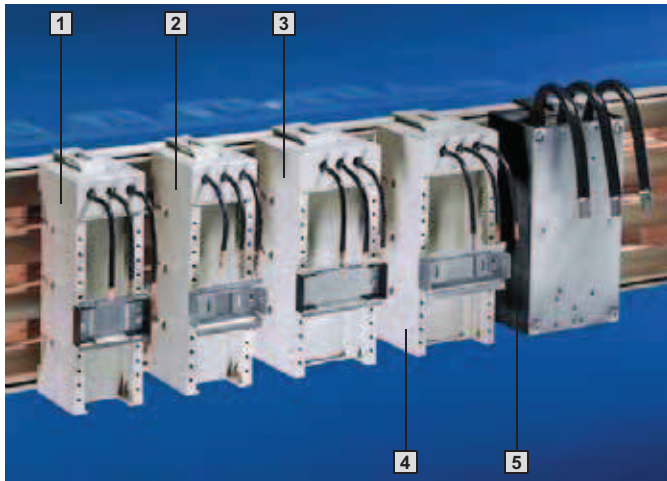
B
2.1

Busbar systems up to 250 A (40 mm)

Design		1	2	3	4	5	Page
Construction width		54 mm	54 mm	54 mm	54 mm	54 mm	
Rated current up to		25 A at 35°C ambient temperature 32 A at 25°C ambient temperature					
Rated operating voltage		690 V~	690 V~	690 V~	690 V~	690 V~	
Support rails	Qty.	1	1	1	1	1	
	Height	7.5 mm	7.5 mm	7.5 mm	7.5 mm	7.5 mm	
Packs of		1	1	1	1	1	
Model No. SV		9618.000	9619.000	9620.000	9621.000	9622.000	
Accessories	Packs of						
Insert strip	2	9623.000	9623.000	9623.000	9623.000	9623.000	400

Busbar systems up to 250 A (40 mm)

Mini-PLS component adaptors 40 A/100 A (3-pole)



B
2.1

Busbar systems up to 250 A (40 mm)

Material:

Polyamide (PA 6.6),
30 % fibreglass-reinforced.
Continuous operating
temperature max. 140°C.
Fire protection corresponding
to UL 94-V0.

Colour:

RAL 7035,
RAL 9011 (SV 9629.000)

Note:

Overview of switchgear for the
appropriate adaptor,
see page 1237.

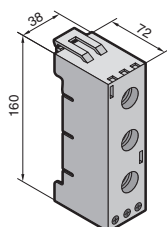
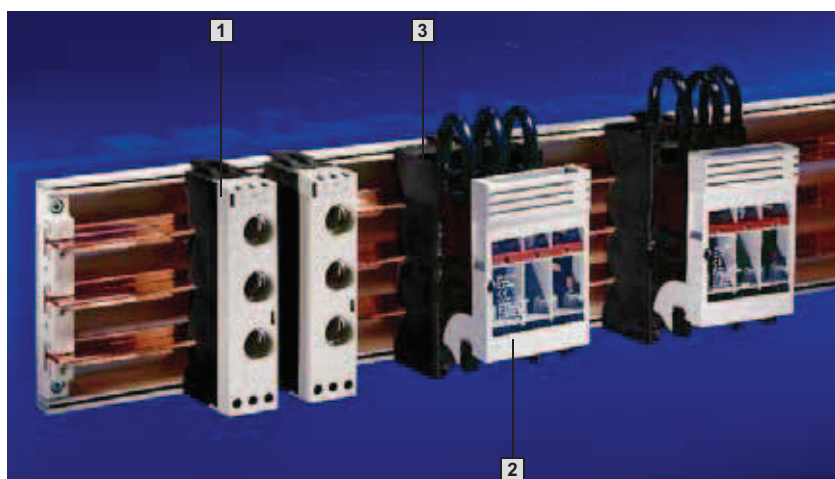
The current carrying capacity
of the supply cables fitted as
standard can be found on
page 1236.

Design		1	2	3	4	5	Page
Construction width (A)		54 mm	54 mm	72 mm	72 mm	90 mm	
Rated current up to		40 A	40 A	40 A	40 A	100 A	
Rated operating voltage		690 V~	690 V~	690 V~	690 V~	690 V~	
Cable outlet		top	top	top	top	top	
Connection cables ¹⁾		AWG 10	AWG 10	AWG 10	AWG 10	35 mm ²	
Support rails	Qty.	1	1	1	1	–	
	Height	7.5 mm	15 mm	7.5 mm	15 mm	–	
Packs of		1	1	1	1	1	
Model No. SV		9616.000	9617.000	9627.000	9628.000	9629.000	
Accessories	Packs of						
Insert strip	2	9623.000	9623.000	9623.000	9623.000	–	400
Support rails width 54 mm, height 7.5 mm	10	3548.000	3548.000	–	–	–	404
Support rails width 72 mm, height 7.5 mm	10	–	–	3549.000	3549.000	–	404
Support rails width 72 mm, height 15 mm	5	–	–	–	–	9320.120	405
Plug-in connector	1	9623.100	9623.100	–	–	–	405

¹⁾ AWG = American Wire Gauges
AWG 10 = 5.26 mm² ± 6 mm²

Busbar systems up to 250 A (40 mm)

Mini-PLS bus-mounting fuse base/NH on-load isolator (3-pole)



1 Mini-PLS bus-mounting fuse base D 02-E 18

Material:
Polyamide (PA 6.6), 30 % fibreglass-reinforced.
Continuous operating temperature max. 140°C.
Fire protection corresponding to UL 94-V0.

Colour:
RAL 7035 (cover),
RAL 9011 (chassis)

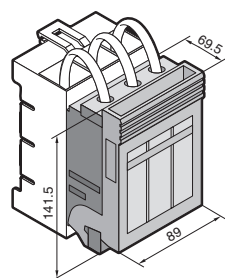
Supply includes:
Cover.

Rated current	63 A
Rated operating voltage	400 V~
Connection of round conductors ¹⁾	1.5 – 16 mm ²
Tightening torque	
● Terminal	2.5 Nm
Packs of	1
Model No. SV	9630.000

¹⁾ Wire end ferrules should be used with fine wire conductors.

+ Accessories:

Identification labels SV 9320.080, see page 406.



2 NH on-load isolators size 000

Material:
Chassis, lid, contact hazard protection:
Fibreglass-reinforced polyamide
Contact tracks: Silver-plated hard copper

Colour:
RAL 7035

Technical information,
see page 1246.

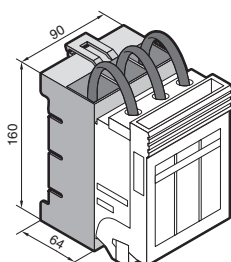
Size	000
Rated current	100 A
Rated operating voltage	690 V~
Cable outlet	top/bottom
Type of connection	Terminal up to 50 mm ²
Tightening torque	3 Nm
Packs of	1
Model No. SV	3431.000

! Also required:

Mini-PLS busbar adaptor, see below.

+ Accessories:

Micro-switch SV 3071.000, see page 406.



3 Mini-PLS busbar adaptor

For mounting SV 3431.000 on Rittal Mini-PLS.

Material:
Polyamide (PA 6.6), 30 % fibreglass-reinforced.
Continuous operating temperature max. 140°C.
Fire protection corresponding to UL 94-V0.

Colour:
RAL 9011

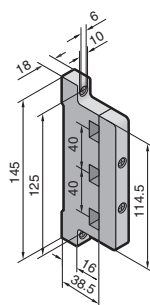
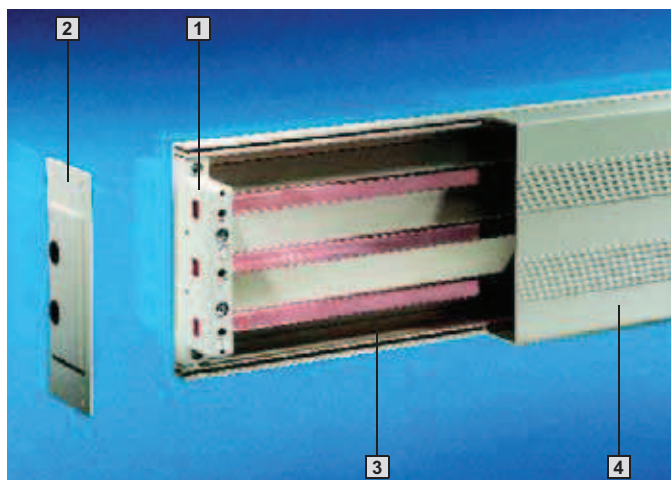
Packs of	Model No. SV
1	9629.100

Supply includes:

35 mm² connection cables fitted as standard.

Busbar systems up to 360 A (40 mm)

Busbar supports (3-pole)



1

B
2.1

Busbar systems up to 360 A (40 mm)

Material:
Fibreglass-reinforced, thermoplastic polyester (PBT). Continuous operating temperature max. 140°C. Fire protection corresponding to UL 94-V0.

Colour:
RAL 7035

Supply includes:
Inserts for adaptation of bar sizes 12 x 5 – 15 x 5 mm.

Short-circuit protection diagram,
see page 1228.

Technical information
for the calculation of rated currents,
see page 1247.

Design	Packs of	1
Number of poles		3-pole
Bar centre distance		40 mm
For busbars E-Cu		12 x 5 – 15 x 10 mm
Tightening torque		3 – 5 Nm
● Assembly screw		1 – 3 Nm
● Cover attachment		
Model No. SV	4	9350.000
Accessories		
2 End covers for contact hazard protection on the sides	2	9610.000

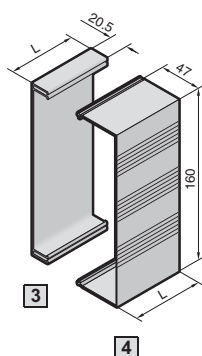
Busbars E-Cu

To DIN EN 13 601.
Length: 2400 mm/bar.

Dimensions mm	Packs of	Model No. SV	Page
12 x 5	6	3580.000	
12 x 10	6	3580.100	
15 x 5	6	3581.000	
15 x 10	6	3581.100	
Accessories			
Busbar connectors for E-Cu 12 x 5 – 15 x 10 mm	3	9350.075	410
Busbar cover section (length 1 m/each) for E-Cu			
12/15 x 5 mm	4	9350.010	343
12/15 x 10 mm	4	9350.060	343

Busbar systems up to 360 A (40 mm)

System components (3-pole)



3 Base tray section

For rear contact hazard protection of the busbar assembly.

Length (L) mm	Packs of	Model No. SV
250	1	9604.000
500	1	9605.000
700	1	9606.000
1100	1	9607.000

4 Cover section

May be cut to length as required; for clip-on mounting to the base tray section.

Length (L) mm	Packs of	Model No. SV
250	1	9608.000
500	1	9609.000

Material

Base tray and cover sections:

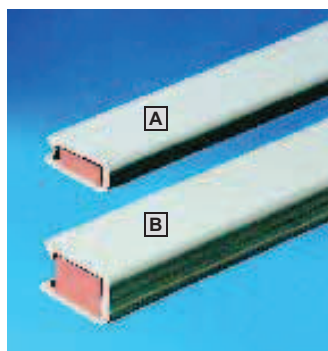
Thermally modified hard PVC.
Continuous operating temperature max. 91°C.
Fire protection corresponding to UL 94-V0.

Colour:

RAL 7035

B
2.1

Busbar systems up to 360 A (40 mm)



Busbar cover sections

Contact hazard protection via covering of the busbars. May be cut to required length.
Length: 1000 mm/section.

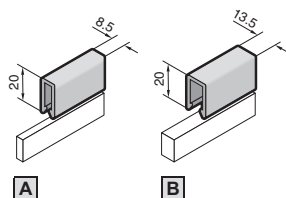
Material:

Thermally modified hard PVC.
Continuous operating temperature max. 100°C.
Fire protection corresponding to UL 94-V0.

Colour:

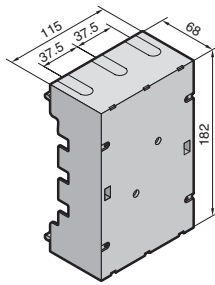
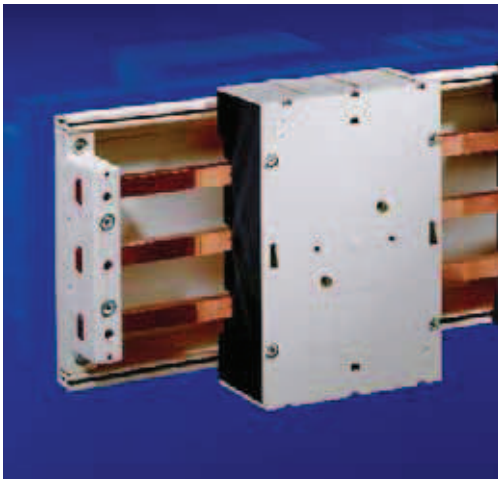
RAL 7035

For busbars mm	Packs of	Model No. SV
A 12/15 x 5	4	9350.010
B 12/15 x 10	4	9350.060



Busbar systems up to 360 A (40 mm)

Busbar connection adaptors (3-pole)



B
2.1

Busbar systems up to 360 A (40 mm)

Material:

Polyamide (PA 6.6),
30 % fibreglass-reinforced.
Continuous operating
temperature max. 140°C.
Fire protection corresponding
to UL 94-V0.

Colour:

RAL 7035 (cover),
RAL 9011 (chassis)

Supply includes:

Cover.

Note:

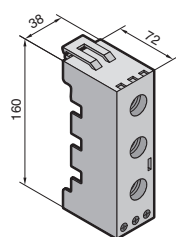
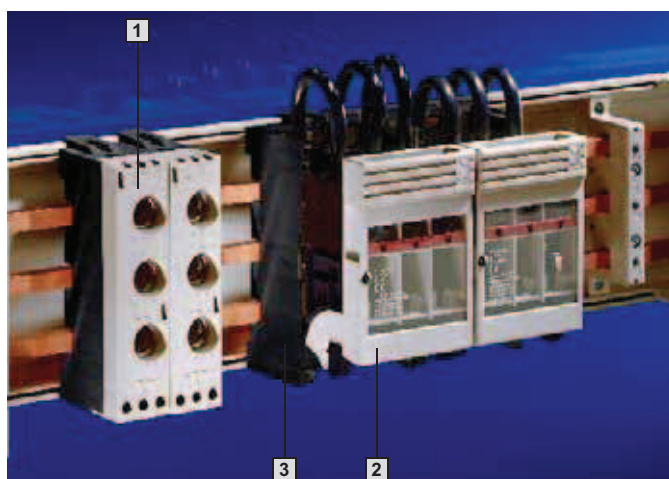
Conductor connection clamps
for the connection of round
conductors 1 – 16 mm²,
see page 358.

Rated current up to	360 A		Page
Rated operating voltage	690 V~		
Connection	top/bottom		
Connection of round conductors ¹⁾	10 – 120 mm ² (max. 250 A)		
Clamping area for laminated copper bars	17 x 15 mm (max. 360 A)		
Tightening torque	4 – 6 Nm		
• Terminal screw			
For busbars	12 x 5/10 mm	15 x 5/10 mm	
Packs of	1	1	
Model No. SV	9350.020	9350.030	
Accessories			
Laminated copper bars	■	■	411

¹⁾ Wire end ferrules should be used with fine wire conductors.

Busbar systems up to 360 A (40 mm)

Bus-mounting fuse base/NH on-load isolator (3-pole)



1 Bus-mounting fuse base D 02-E 18

Material:
Polyamide (PA 6.6), 30 % fibreglass-reinforced.
Continuous operating temperature max. 140°C.
Fire protection corresponding to UL 94-V0.

Colour:
RAL 7035 (cover),
RAL 9011 (chassis)

Supply includes:
Cover.

+ Accessories:

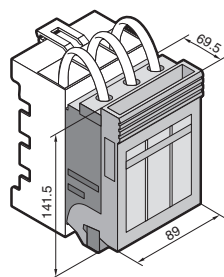
Identification labels SV 9320.080,
see page 406.

Rated current	63 A
Rated operating voltage	400 V~
Connection of round conductors ¹⁾	1.5 – 16 mm ²
Tightening torque	
• Terminal	2.5 Nm
Packs of	1
For busbars 12 x 5/10 mm	9350.050
Model No. SV	
For busbars 15 x 5/10 mm	9350.500
Model No. SV	

¹⁾ Wire end ferrules should be used with fine wire conductors.

! Also required:

Base tray section,
see page 343.



2 NH on-load isolators size 000

Material:
Chassis, lid, contact hazard protection:
Fibreglass-reinforced polyamide
Contact tracks: Silver-plated hard copper

Colour:
RAL 7035

Technical information,
see page 1246.

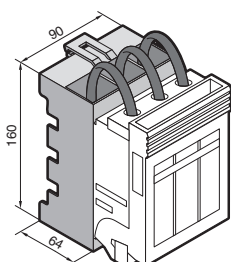
+ Accessories:

Micro-switch SV 3071.000,
see page 406.

Size	000
Rated current	100 A
Rated operating voltage	690 V~
Cable outlet	top/bottom
Type of connection	Terminal up to 50 mm ²
Tightening torque	3 Nm
Packs of	1
Model No. SV	3431.000

! Also required:

Busbar adaptor,
see below.



3 Busbar adaptor

For mounting SV 3431.000 on 40 mm busbar systems.

Material:
Polyamide (PA 6.6), 30 % fibreglass-reinforced.
Continuous operating temperature max. 140°C.
Fire protection corresponding to UL 94-V0.

Colour:
RAL 7035

Supply includes:
35 mm² connection cables fitted as standard.

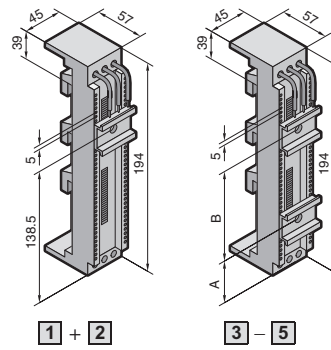
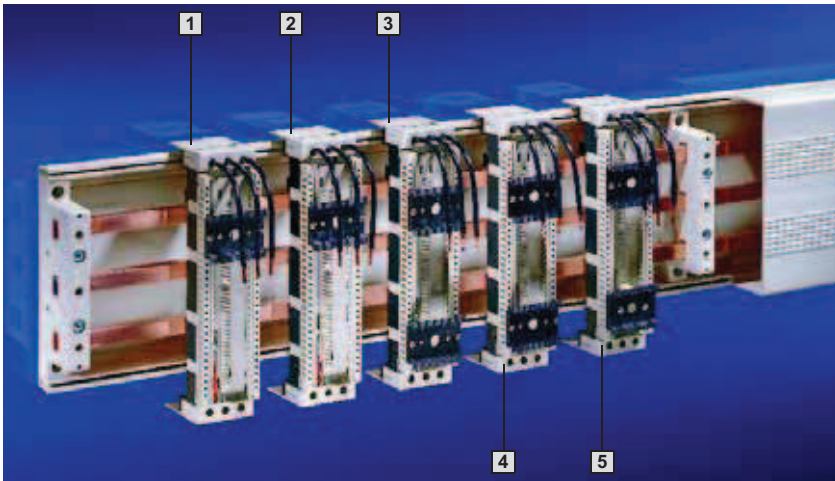
For busbars mm	Packs of	Model No. SV
12 x 5/10	1	9350.400
15 x 5/10	1	9350.410

! Also required:

Base tray section,
see page 343.

Busbar systems up to 360 A (40 mm)

Multi-functional component adaptors 12 A/25 A (3-pole)



B
2.1

Busbar systems up to 360 A (40 mm)

Material:

Polyamide (PA 6.6),
25 % fibreglass-reinforced.
Continuous operating
temperature max. 140°C.
Fire protection corresponding
to UL 94-V0.

Colour:

RAL 7035,
RAL 9011 (chassis)

Note:

Overview of switchgear for the
appropriate adaptor,
see page 1238.

The current carrying capacity
of the supply cables fitted as
standard can be found on
page 1236.

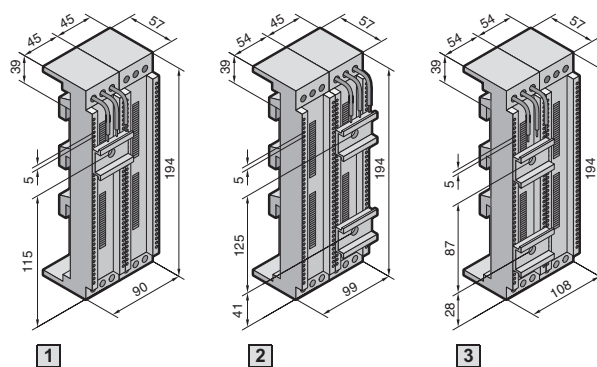
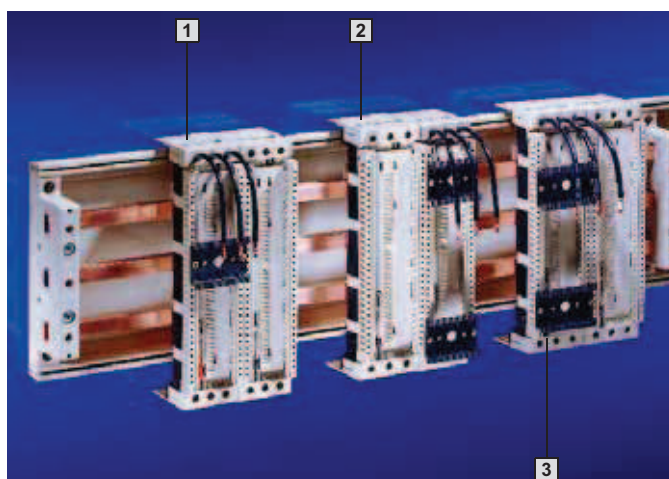
For snap-on mounting		1	2	3	4	5	Page
Construction width		45 mm	45 mm	45 mm	45 mm	45 mm	
Rated current up to		12 A	25 A	25 A	25 A	25 A	
Rated operating voltage		690 V~	690 V~	690 V~	690 V~	690 V~	
Cable outlet		top	top	top	top	top	
Connection cables ¹⁾		AWG 14	AWG 12	AWG 12	AWG 12	AWG 12	
Support rails	Qty.	1	1	2	2	2 (1 variable)	
	Height	10 mm	10 mm	10 mm	10 mm	10 mm	
	A	–	–	38.5 mm	28 mm	variable	
	B	–	–	100 mm	125 mm	variable	
Packs of		1	1	1	1	1	
For 5 mm bar thickness Model No. SV		9350.080	9350.100	9350.120	9350.260	9350.140	
For 10 mm bar thickness Model No. SV		9350.090	9350.110	9350.130	9350.270	9350.150	

Accessories		Packs of					
Support rails width 45 mm, height 10 mm	5	9320.090	9320.090	9320.090	9320.090	9320.090	404
Plug-in connector	1	9320.110	9320.110	9320.110	9320.110	9320.110	405
Mounting clip	5	9320.140	9320.140	9320.140	9320.140	9320.140	405

¹⁾ AWG = American Wire Gauges
AWG 14 = 2.08 mm² ± 2.5 mm²
AWG 12 = 3.31 mm² ± 4 mm²

Busbar systems up to 360 A (40 mm)

Multi-functional component adaptors 25 A (3-pole)



Material:

Polyamide (PA 6.6),
25 % fibreglass-reinforced.
Continuous operating
temperature max. 140°C.
Fire protection corresponding
to UL 94-V0.

Colour:

RAL 7035,
RAL 9011 (chassis)

Note:

Overview of switchgear for the
appropriate adaptor,
see page 1238.

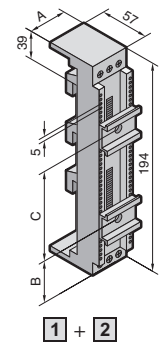
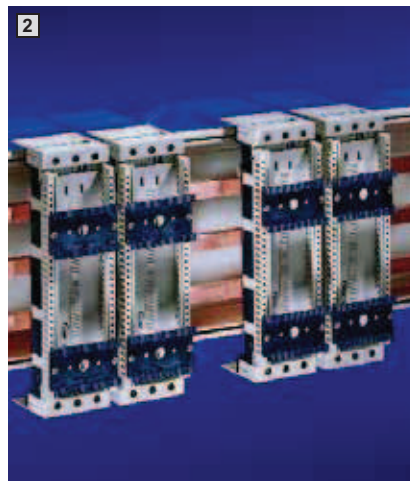
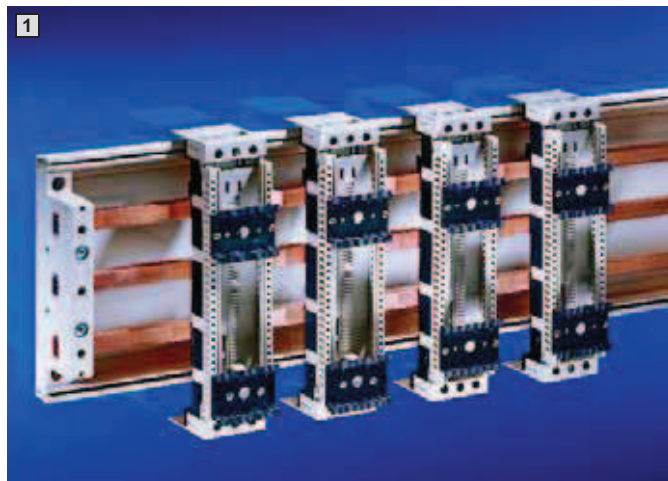
The current carrying capacity
of the supply cables fitted as
standard can be found on
page 1236.

For snap-on mounting		1	2	3	Page
Construction width		90 mm	99 mm	108 mm	
Rated current up to		25 A	25 A	25 A	
Rated operating voltage		690 V~	690 V~	690 V~	
Cable outlet		top	top	top	
Connection cables ¹⁾		AWG 12	AWG 12	AWG 12	
Support rails	Qty.	1	2	2	
	Height	10 mm	10 mm	10 mm	
Packs of		1	1	1	
For 5 mm bar thickness Model No. SV		9350.280	9350.300	9350.320	
For 10 mm bar thickness Model No. SV		9350.290	9350.310	9350.330	
Accessories		Packs of			
Support rails width 45 mm, height 10 mm	5	9320.090	9320.090	–	404
Support rails width 54 mm, height 10 mm	5	–	9320.100	9320.100	404
Mounting clip	5	9320.140	9320.140	–	405

¹⁾ AWG = American Wire Gauges
AWG 12 = 3.31 mm² ± 4 mm²

Busbar systems up to 360 A (40 mm)

Multi-functional component adaptors 25 A/40 A (3-pole)



B
2.1

Busbar systems up to 360 A (40 mm)

Material:

Polyamide (PA 6.6),
25 % fibreglass-reinforced.
Continuous operating
temperature max. 140°C.
Fire protection corresponding
to UL 94-V0.

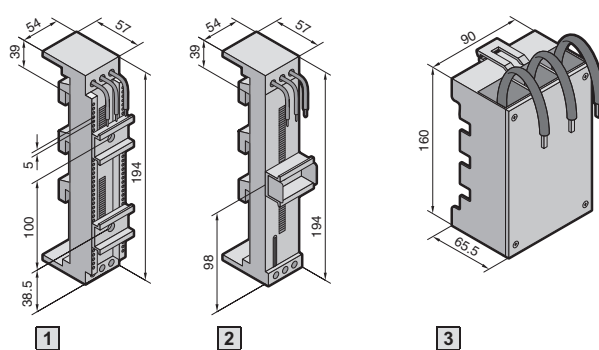
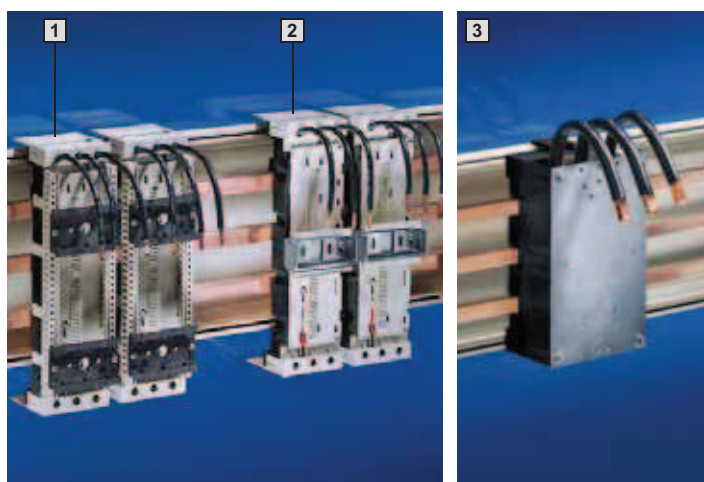
Colour:

RAL 7035,
RAL 9011 (chassis)

For snap-on mounting		1		2		Page
Construction width (A)		45 mm		54 mm		
Rated current up to		25 A	25 A	40 A	40 A	
Rated operating voltage		690 V~	690 V~	690 V~	690 V~	
Cable outlet		top	top/bottom	top	top/bottom	
Connection of round conductors up to		16 mm ²	16 mm ²	16 mm ²	16 mm ²	
Support rails	Qty.	2 (1 variable)	2	2	2	
	Height	10 mm	10 mm	10 mm	10 mm	
	B	variable	38.5 mm	38.5 mm	38.5 mm	
	C	variable	100 mm	100 mm	100 mm	
Packs of		1	1	1	1	
For 5 mm bar thickness Model No. SV		9350.160	9350.180	9350.220	9350.240	
For 10 mm bar thickness Model No. SV		9350.170	9350.190	9350.230	9350.250	
Accessories		Packs of				
Support rails width 45 mm, height 10 mm	5	9320.090	9320.090	-	-	404
Support rails width 54 mm, height 10 mm	5	-	-	9320.100	9320.100	404
Plug-in connector	1	9320.110	-	-	-	405
Mounting clip	5	9320.140	9320.140	-	-	405

Busbar systems up to 360 A (40 mm)

Multi-functional component adaptors 40 A/component adaptors 100 A (3-pole)



Material:

Polyamide (PA 6.6),
25 % fibreglass-reinforced.
Continuous operating
temperature max. 140°C.
Fire protection corresponding
to UL 94-V0.

Colour:

RAL 7035,
RAL 9011 (chassis)

Note:

Overview of switchgear for the
appropriate adaptor,
see page 1238.

The current carrying capacity
of the supply cables fitted as
standard can be found on
page 1236.

For snap-on mounting		1	2	3	3	Page
Construction width		54 mm	54 mm	90 mm	90 mm	
Rated current up to		40 A	40 A	100 A	100 A	
Rated operating voltage		690 V~	690 V~	690 V~	690 V~	
Cable outlet		top	top	top	top	
Connection cables		AWG 10 ¹⁾	AWG 10 ¹⁾	35 mm ²	35 mm ²	
Support rails	Qty.	2	1	–	–	
	Height	10 mm	15 mm	–	–	
For bar width		12/15 mm	12/15 mm	12 mm	15 mm	
Packs of		1	1	1	1	
For 5 mm bar thickness Model No. SV		9350.200	9350.340	9350.420	9350.430	
For 10 mm bar thickness Model No. SV		9350.210	9350.350			
Also required						
Base tray section		–	–	■	■	343
Accessories		Packs of				
Support rails width 72 mm, height 15 mm	5	–	–	9320.120	9320.120	405

¹⁾ AWG = American Wire Gauges
AWG 10 = 5.26 mm² ± 6 mm²