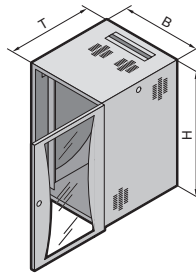


FlatBox



Small package – big performance.
Time-saving, flexible, clever

- For flexible use as a wall-mounted or floor-standing enclosure
- The width and depth dimension of max. 700 mm provides plenty of space for use as a patch distributor
- Toolless quick assembly

Material:
Sheet steel

Surface finish:
Powder-coated in RAL 7035

Supply includes:

Flat-packed enclosure,
1 wall section, 2 basic supports,
2 roof/base plates, with cut-outs for cable entry, with brush strips,
2 482.6 mm (19") mounting angles (for 6 U and 9 U),
1 482.6 mm (19") frame (from 12 U),

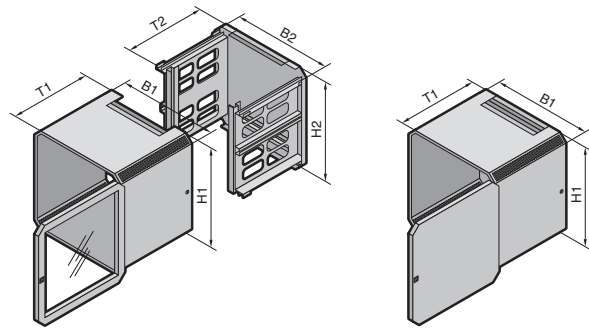
4 levelling feet (from 12 U),
2 side panels, lockable,
1 glazed door, lockable,
door hinge point selectable.
Components for toolless, fast assembly.
Earthing kit for system-compatible earthing of the enclosure panels.

With 482.6 mm (19") mounting angles at the front and glazed door		P. of				Page
U		6	9	6	9	
Width (B) mm		600	600	600	600	
Height (H) mm		358	492	358	492	
Depth (T) mm		400	400	600	600	
Model No. DK	1	7507.000	7507.010	7507.100	7507.110	
Accessories						
482.6 mm (19") mounting angles as 2nd attachment level, 6 U	2	7507.706	–	7507.706	–	1092
482.6 mm (19") mounting angles as 2nd attachment level, 9 U	2	–	7507.709	–	7507.709	1092
Levelling feet	4	7507.740	7507.740	7507.740	7507.740	907
Cover plates for fan panels	6	7507.760	7507.760	7507.760	7507.760	704
Earth rail	1	7113.000	7113.000	7113.000	7113.000	1036
C rail for cable clamping	1	7016.140	7016.140	7016.140	7016.140	1068
T-head rail for cable clamping	1	7016.150	7016.150	7016.150	7016.150	1068
Fan, 230 V AC, 50/60 Hz, 117/135 m³/h, air throughput, unimpeded airflow	1	7980.100	7980.100	7980.100	7980.100	703
Fan, 48 V DC, 184 m³/h, air throughput, unimpeded airflow	1	7980.148	7980.148	7980.148	7980.148	703
Thermostat	1	3110.000	3110.000	3110.000	3110.000	715

With 482.6 mm (19") mounting frame at the front and glazed door		P. of						Page
U		12	15	12	15	18	21	
Width (B) mm		600	600	600	700	700	700	
Height (H) mm		625	758	625	758	892	1025	
Depth (T) mm		400	400	600	700	700	700	
Model No. DK	1	7507.020	7507.030	7507.120	7507.200¹⁾	7507.210¹⁾	7507.220¹⁾	
Accessories								
482.6 mm (19") mounting angles as 2nd attachment level, 12 U	2	7507.712	–	7507.712	–	–	–	1092
482.6 mm (19") mounting angles as 2nd attachment level, 15 U	2	–	7507.715	–	7507.715	–	–	1092
482.6 mm (19") mounting angles as 2nd attachment level, 18 U	2	–	–	–	–	7507.718	–	1092
482.6 mm (19") mounting angles as 2nd attachment level, 21 U	2	–	–	–	–	–	7507.721	1092
Cover plates for fan panels	6	7507.760	7507.760	7507.760	7507.760	7507.760	7507.760	704
Earth rail	1	7113.000	7113.000	7113.000	7113.000	7113.000	7113.000	1036
C rail for cable clamping	1	7016.140	7016.140	7016.140	7016.140	7016.140	7016.140	1068
T-head rail for cable clamping	1	7016.150	7016.150	7016.150	7016.150	7016.150	7016.150	1068
Fan, 230 V AC, 50/60 Hz, 117/135 m³/h, air throughput, unimpeded airflow	1	7980.100	7980.100	7980.100	7980.100	7980.100	7980.100	703
Fan, 48 V DC, 184 m³/h, air throughput, unimpeded airflow	1	7980.148	7980.148	7980.148	7980.148	7980.148	7980.148	703
Thermostat	1	3110.000	3110.000	3110.000	3110.000	3110.000	3110.000	715

¹⁾ Pre-configured variant available on request.

Wall-mounted enclosures, based on Rittal QuickBox, 6 – 12 U



Perfect access during installation and servicing, thanks to a removable cover.

Material:

Wall mounting plate with mounting brackets:
2.0 mm sheet steel
Enclosure cover:
1.0 mm sheet steel
Door: Sheet steel door or glazed door with sheet steel frame and single-pane safety glass, 3 mm

Surface finish:

Enclosure: Powder-coated, RAL 7035

Supply includes:

Wall section:
Pre-configured mounting brackets,
brush strip for cable entry at the bottom/top,
cable clamp rail
Enclosure cover:
Consisting of base and cover tray with vent slots, brush strip for cable entry at the top/bottom,
2 side security locks, sheet steel door/glazed door with security lock, 482.6 mm (19") mounting angles, infinitely depth-variable.

Property rights:

German patent no. 198 11 711
German utility model no. 298 23 843
European patent no. 1 064 709 with validity for BE, ES, FR, GB, IT, NL, SE
Taiwanese patent no. NI 123 288
Russian patent no. 2190912
Australian patent no. 733078
South Korean patent no. 10-0375062
US patent no. 6,435,364

Detailed drawing,

available on the Internet.

U	Packs of	6	6	6	9	9	12	12	12	Page
Enclosure cover	Width (B1) mm	600	600	600	600	600	600	600	600	
	Height (H1) mm	362	362	362	495	495	628	628	628	
	Depth (T1) mm	300	400	600	400	600	400	500	600	
Wall section	Width (B2) mm	595	595	595	595	595	595	595	595	
	Height (H2) mm	355	355	355	488	488	621	621	621	
	Max. installation depth (T2) mm	247	347	547	347	547	347	447	547	
Model No. with glazed door	1	7502.013	7502.014	7502.016	7502.024	7502.026	7502.034	7502.035	7502.036	
Model No. with sheet steel door	1	–	7502.114	–	7502.124	7502.126	–	–	7502.136	

Accessories										
Mounting angles, 482.6 mm (19")	2	7502.201	7502.201	7502.201	7502.202	7502.202	7502.203	7502.203	7502.203	1092
Solid gland plate	2	7502.310 ¹⁾	7502.310 ¹⁾	7502.310 ¹⁾	7502.310 ¹⁾	7502.310 ¹⁾	7502.310 ¹⁾	7502.310 ¹⁾	7502.310 ¹⁾	1052
Wall mounting bracket, 10 mm	4	2508.010	2508.010	2508.010	2508.010	2508.010	2508.010	2508.010	2508.010	975
Wall mounting bracket, 40 mm	4	2503.010	2503.010	2503.010	2503.010	2503.010	2503.010	2503.010	2503.010	975
Combination rails for enclosure width	6	7502.304	7502.304	7502.304	7502.304	7502.304	7502.304	7502.304	7502.304	1063
Combination rails for enclosure depth	6	300/400 mm	7502.302	7502.302	7502.302	7502.302	7502.302	7502.302	7502.302	1063
		500/600 mm	7502.304	7502.304	7502.304	7502.304	7502.304	7502.304	7502.304	1063
Slide rails for enclosure depth	10	300 mm	1962.200	1962.200	1962.200	1962.200	1962.200	1962.200	1962.200	1085
		400 mm	7492.300	7492.300	7492.300	7492.300	7492.300	7492.300	7492.300	1098
	2	7492.400	7492.400	7492.400	7492.400	7492.400	7492.400	7492.400	7492.400	1098
Earthing set	1	7502.240	7502.240	7502.260	7502.240	7502.260	7502.240	7502.260	7502.260	1036
Quick-release fastener	2	7502.220	7502.220	7502.220	7502.220	7502.220	7502.220	7502.220	7502.220	959

¹⁾ Delivery times available on request.



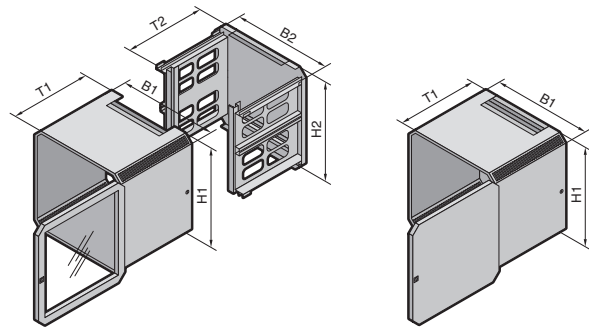
Cable clamps for clamping to C rails and combination rails, see page 1064.



Splicing box for fibre-optic termination or fibre-optic distributor, see page 1111.

Networking

Wall-mounted enclosures, based on Rittal QuickBox, 15 – 21 U



Perfect access during installation and servicing, thanks to a removable cover.

Material:

Wall mounting plate with mounting brackets:
2.0 mm sheet steel
Enclosure cover:
1.0 mm sheet steel
Door: Sheet steel door or glazed door with sheet steel frame and single-pane safety glass, 3 mm

Surface finish:

Enclosure: Powder-coated, RAL 7035

Supply includes:

Wall section:
Pre-configured mounting brackets,
brush strip for cable entry at the bottom/top,
cable clamp rail

Enclosure cover:
Consisting of base and cover tray with vent slots, brush strip for cable entry at the top/bottom,
2 side security locks, sheet steel door/glazed door with security lock, 482.6 mm (19") mounting angles, infinitely depth-variable.

Property rights:

German patent no. 198 11 711
German utility model no. 298 23 843
European patent no. 1 064 709 with validity for BE, ES, FR, GB, IT, NL, SE
Taiwanese patent no. NI 123 288
Russian patent no. 2190912
Australian patent no. 733078
South Korean patent no. 10-0375062
US patent no. 6,435,364

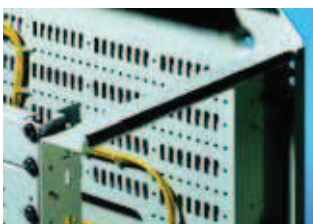
Detailed drawing,

available on the Internet.

U	Packs of	15	15	15	18	18	21	21	Page
Enclosure cover	Width (B1) mm	600	600	600	600	600	600	600	
	Height (H1) mm	762	762	762	895	895	1028	1028	
	Depth (T1) mm	400	500	600	400	600	400	600	
Wall section	Width (B2) mm	595	595	595	595	595	595	595	
	Height (H2) mm	755	755	755	888	888	1021	1021	
	Max. installation depth (T2) mm	347	447	547	347	547	347	547	
Model No. with glazed door	1	7502.044	7502.045	7502.046	7502.054	7502.056	7502.064	7502.066	
Model No. with sheet steel door	1	7502.144	–	7502.146	–	–	–	7502.166	

Accessories									
Mounting angles, 482.6 mm (19")	2	7502.204	7502.204	7502.204	7502.205	7502.205	7502.206	7502.206	1092
Solid gland plate	2	7502.310 ¹⁾	7502.310 ¹⁾	7502.310 ¹⁾	7502.310 ¹⁾	7502.310 ¹⁾	7502.310 ¹⁾	7502.310 ¹⁾	1052
Wall mounting bracket, 10 mm	4	2508.010	2508.010	2508.010	2508.010	2508.010	2508.010	2508.010	975
Wall mounting bracket, 40 mm	4	2503.010	2503.010	2503.010	2503.010	2503.010	2503.010	2503.010	975
Combination rails for enclosure width	6	7502.304	7502.304	7502.304	7502.304	7502.304	7502.304	7502.304	1063
Combination rails for enclosure depth	6	300/400 mm	7502.302	7502.302	7502.302	7502.302	7502.302	7502.302	1063
		500/600 mm	7502.304	7502.304	7502.304	7502.304	7502.304	7502.304	1063
Slide rails for enclosure depth	2	7492.300	7492.300	7492.300	7492.300	7492.300	7492.300	7492.300	1098
	2	7492.400	7492.400	7492.400	7492.400	7492.400	7492.400	7492.400	1098
Earthing set	1	7502.240	7502.260	7502.260	7502.240	7502.260	7502.240	7502.260	1036
Quick-release fastener	2	7502.220	7502.220	7502.220	7502.220	7502.220	7502.220	7502.220	959

¹⁾ Delivery times available on request.

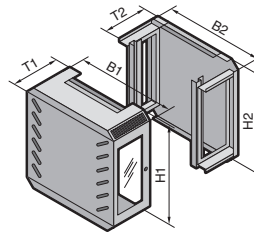


Cable management panel for all QuickBoxes from a height of 15 U, see page 1073.



Earthing kit for standardised earthing of the QuickBox. With fast-on connections, see page 1036.

Wall-mounted enclosure, based on Rittal QuickBox with vertical 482.6 mm (19") level



Optimum use of the interior space

via side installation of the 482.6 mm (19") components. Status monitoring via side viewing window.

Material:

Wall mounting plate with mounting brackets: 2.0 mm sheet steel
Enclosure cover: 1.0 mm sheet steel with toughened safety glass, 3 mm at the side

Surface finish:

Enclosure: Powder-coated, RAL 7035

Supply includes:

Wall section: With pre-configured 482.6 mm (19") mounting brackets for side accommodation of mounting components and brush strip for cable entry from the bottom and top.

Enclosure cover:

With side vent slots to support passive climate control. The enclosure is secured via two security locks positioned at the sides.

Detailed drawing,

available on the Internet.

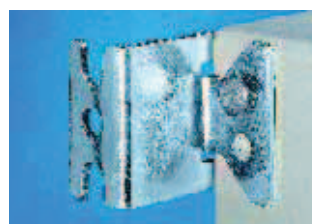
U vertical	Packs of	3	6	Page
Enclosure cover	Width (B1) mm	600	600	
	Height (H1) mm	631	631	
	Depth (T1) mm	210	360	
Wall section	Width (B2) mm	595	595	
	Height (H2) mm	621	621	
	Depth (T2) mm	198	348	
Model No. DK	1	7502.630¹⁾	7502.660¹⁾	
Accessories				
Gland plates, solid	2	7502.310 ¹⁾	7502.310 ¹⁾	1052
Wall mounting bracket, 10 mm	4	2508.010	2508.010	975
Wall mounting bracket, 40 mm	4	2503.010	2503.010	975
Combination rails for vertical mounting on the wall section QB	6	7502.304	7502.304	1063
Combination rails for horizontal mounting	6	7502.304	7502.304	1063
Mounting and cable management panel for cable routing and the attachment of small equipment	1	7502.270	7502.270	1073
Mounting angles, 482.6 mm (19") for front mounting, 12 U	2	7502.203	7502.203	1092

¹⁾ Delivery times available on request.



Blanking panel

for toolless quick assembly, see page 1110.

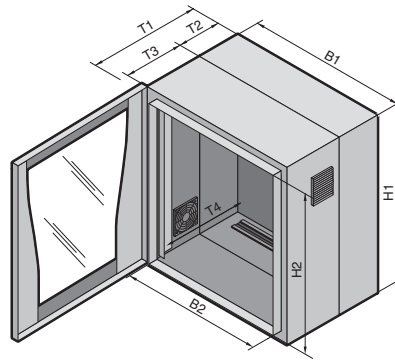


Wall mounting bracket

at a distance of 10 mm or 40 mm, see page 975.

Networking

Wall-mounted enclosures, based on Rittal EL, 3-part, pre-configured, depth 573/673



Material:

Wall and hinged part:
Sheet steel, 1.5 mm
Viewing window:
Toughened safety glass 3 mm

Colour:

Wall and hinged part:
Powder-coated in RAL 7035
Glazed door: RAL 7035/7015
(slate grey)

Protection category:

IP 43 to EN 60 529/09.2000
when using solid gland plates.

Supply includes:

Wall section:
With vertical punched rails and
C rail mounted horizontally for
cable clamping, top cable gland
plate solid, bottom cable gland
plate with brush strips, earthing
rail with star earthing, wall
mounting bracket 10 mm.

Hinged part:

With 25 mm pitch pattern of
holes in the front and rear frame,
two 482.6 mm (19") mounting
angles mounted on C rails,
infinitely depth-variable, one
outlet filter each on the left and
right side.

Designer glazed door:

With 3 mm toughened safety
glass pane,
9 + 15 U with mini comfort
handle for lock inserts,
21 U with comfort handle and
2-point locking,
including security lock 3524 E.

Available on request:

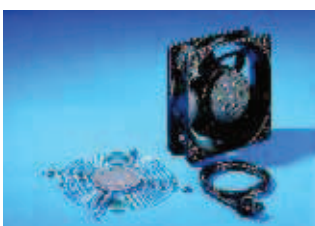
- Fully modified wall-mounted distributors
- Glazed door with aluminium frame
- Sheet steel door, solid
- Perforated door

Approvals,
see page 94.

Detailed drawing,
available on the Internet.

U	Packs of	9	15	21	9	15	21	Page
Width (B1) mm		600	600	600	600	600	600	
Height (H1) mm		478	746	1012	478	746	1012	
Depth (T1) mm		573	573	573	673	673	673	
Clearance width (B2) mm		502	502	502	502	502	502	
Clearance height (H2) mm		417	684	951	417	684	951	
Depth of wall section (T2) mm		135	135	135	135	135	135	
Depth of hinged part (T3) mm		416	416	416	516	516	516	
Maximum installation depth (T4) mm		520	520	520	620	620	620	
Model No. DK	1	7709.735	7715.735	7721.735	7709.535	7715.535	7721.535	
Load capacity, hinged part (kg, static)		45	75	75	45	75	75	

Accessories								
Solid gland plate	1	2235.135	2235.135	2235.135	2235.135	2235.135	2235.135	1052
Gland plate with brush insert	1	7705.035	7705.035	7705.035	7705.035	7705.035	7705.035	1052
Gland plate for metric cable glands	1	7705.235	7705.235	7705.235	7705.235	7705.235	7705.235	1052
Fan expansion kit, 230 V	1	7980.100	7980.100	7980.100	7980.100	7980.100	7980.100	703
Spare filter mats	5	3322.700	3322.700	3322.700	3322.700	3322.700	3322.700	725
Wall mounting bracket, 40 mm	4	2503.010	2503.010	2503.010	2503.010	2503.010	2503.010	975
Lock inserts		see page 956						
Component shelf 2 U, static installation or fully extendible, 300 mm deep	1	7148.035	7148.035	7148.035	7148.035	7148.035	7148.035	1019
Component shelf 2 U, static installation, 250 mm deep	1	7119.250	7119.250	7119.250	7119.250	7119.250	7119.250	1021



Fans

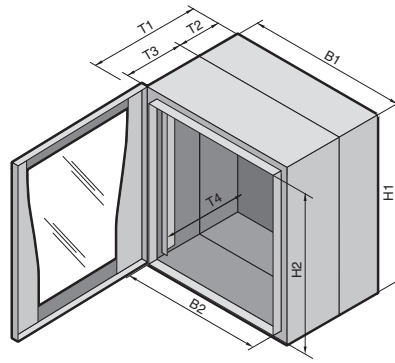
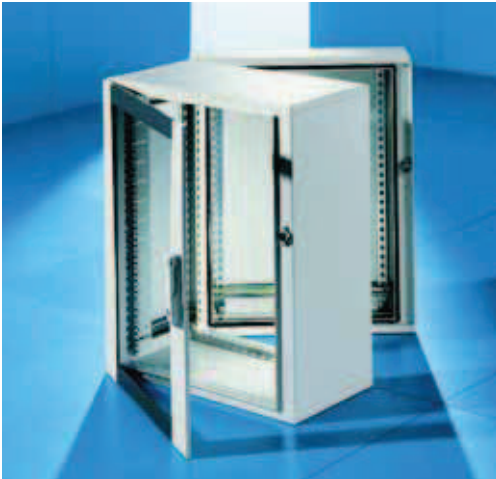
230 V AC or 48 V DC,
see page 703.



Socket strips

for mounting in the wall section
or on the 482.6 mm (19") profile,
see page 1038.

Wall-mounted enclosure, based on Rittal EL, 3-part, with punched rails, depth 473



Material:

Wall and hinged part:
Sheet steel, 1.5 mm
Viewing window:
Toughened safety glass 3 mm

Colour:

Wall and hinged part:
Powder-coated in RAL 7035
Glazed door: RAL 7035/7015
(slate grey)

Protection category:

IP 55 to EN 60 529/09.2000

Supply includes:

Wall section:
With vertical punched rails and
C rail mounted horizontally for
cable clamping, solid cable
gland plate top and bottom, wall
mounting bracket 10 mm.

Hinged part:
With 25 mm pitch pattern of
holes in the front and rear frame,
two 482.6 mm (19") mounting
angles mounted on C rails,
infinitely depth-variable.

Designer glazed door:
6 – 15 U with mini comfort
handle for lock inserts,
18 – 21 U with comfort handle
and 2-point locking,
including security lock 3524 E.

Available on request:

- Fully modified wall-mounted distributors
- Special sizes (D = 373 mm, 573 mm)
- Glazed door with aluminium frame
- Sheet steel door, solid

Approvals,
see page 94.

Detailed drawing,
available on the Internet.

U	Packs of	6	9	12	15	18	21	Page
Width (B1) mm		600	600	600	600	600	600	
Height (H1) mm		345	478	612	746	878	1012	
Depth (T1) mm		473	473	473	473	473	473	
Clearance width (B2) mm		502	502	502	502	502	502	
Clearance height (H2) mm		284	417	551	684	817	951	
Depth of wall section (T2) mm		135	135	135	135	135	135	
Depth of hinged part (T3) mm		316	316	316	316	316	316	
Maximum installation depth (T4) mm		420	420	420	420	420	420	
Model No. DK	1	7706.135	7709.135	7712.135	7715.135	7718.135¹⁾	7721.135	
Load capacity, hinged part (kg, static)		30	45	60	75	75	75	

Accessories								
Gland plate with brush insert	1	7705.035	7705.035	7705.035	7705.035	7705.035	7705.035	1052
Gland plate for metric cable glands	1	7705.235	7705.235	7705.235	7705.235	7705.235	7705.235	1052
Base/plinth	1	7505.300	7505.300	7505.300	7505.300	7505.300	7505.300	904
Wall mounting bracket, 40 mm	4	2503.010	2503.010	2503.010	2503.010	2503.010	2503.010	975
Lock inserts		see page 956						
Earth rail, horizontal	1	7113.000	7113.000	7113.000	7113.000	7113.000	7113.000	1036
Component shelf 2 U, static installation and fully extendible	1	7148.035	7148.035	7148.035	7148.035	7148.035	7148.035	1019
Component shelf 2 U, static installation, 250 mm deep	1	7119.250	7119.250	7119.250	7119.250	7119.250	7119.250	1021
Component shelf 1 U, static installation, 140 mm deep	1	7119.140	7119.140	7119.140	7119.140	7119.140	7119.140	1021

¹⁾ Delivery times available on request.



Slide rails

to support heavy components
on the 482.6 mm (19") profile,
see page 1097.

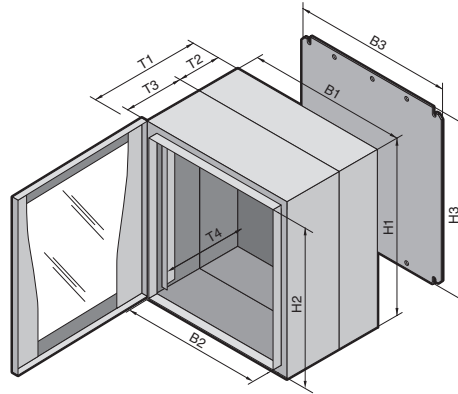


Semi-cylinder

for individual locks in the com-
fort or mini comfort handle,
see page 957.
Handles, see page 947.

Networking

Wall-mounted enclosure, based on Rittal EL, 3-part, with mounting plate, depth 373



Material:

Wall and hinged part:
1.5 mm sheet steel
Mounting plate:
2.5 mm sheet steel, zinc-plated,
passivated
Viewing window:
Toughened safety glass 3 mm

Colour:

Wall and hinged part:
Powder-coated, RAL 7035
Glazed door: RAL 7035/7015
(slate grey).

Protection category:

IP 55 to EN 60 529/09.2000

Supply includes:

Wall section:
With 2 cable gland plates,
1 mounting plate supplied loose,
assembly parts.

Hinged part:
With 2 mounting angles,
482.6 mm (19"), fitted at the
front, assembly parts.

Designer glazed door:
3 – 15 U with mini comfort
handle for lock inserts,
18 – 21 U with comfort handle
and 2-point locking,
including security lock 3524 E.

Available on request:

- Special sizes and colours
- Glazed door with aluminium frame
- Sheet steel door, solid

Approvals,
see page 94.

Detailed drawing,
available on the Internet.

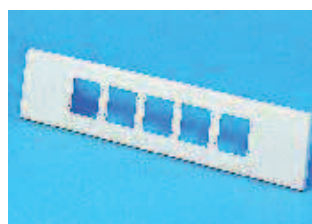
U	Packs of	3	6	9	12	15	18	21	Page
Width (B1) mm		600	600	600	600	600	600	600	
Height (H1) mm		212	345	478	612	746	878	1012	
Depth (T1) mm		373	373	373	373	373	373	373	
Clearance width (B2) mm		502	502	502	502	502	502	502	
Clearance height (H2) mm		151	284	417	551	684	817	951	
Depth of wall section (T2) mm		135	135	135	135	135	135	135	
Depth of hinged part (T3) mm		216	216	216	216	216	216	216	
Maximum installation depth (T4) mm		320	320	320	320	320	320	320	
Width of mounting plate (B3) mm		485	485	485	485	485	485	485	
Height of mounting plate (H3) mm		165	299	432	565	699	832	965	
Model No. EL	1	2243.605	2246.605	2249.605	2252.605	2255.605	2258.605¹⁾	2261.605	
Load capacity, hinged part (kg, static)		15	30	45	60	75	75	75	

Accessories										
Wall mounting bracket	10 mm	4	2508.010	2508.010	2508.010	2508.010	2508.010	2508.010	2508.010	975
Wall mounting bracket	40 mm	4	2503.010	2503.010	2503.010	2503.010	2503.010	2503.010	2503.010	975
Gland plate with brush insert		1	7705.035	7705.035	7705.035	7705.035	7705.035	7705.035	7705.035	1052
Gland plate for metric cable glands		1	7705.235	7705.235	7705.235	7705.235	7705.235	7705.235	7705.235	1052
Cable glands			see page 1054							
Lock inserts			see page 956							
Slide rails		10	2240.000	2240.000	2240.000	2240.000	2240.000	2240.000	2240.000	1099
C rails		4	2238.000	2238.000	2238.000	2238.000	2238.000	2238.000	2238.000	1002
Blanking plates		3	see page 1100							

¹⁾ Delivery times available on request.

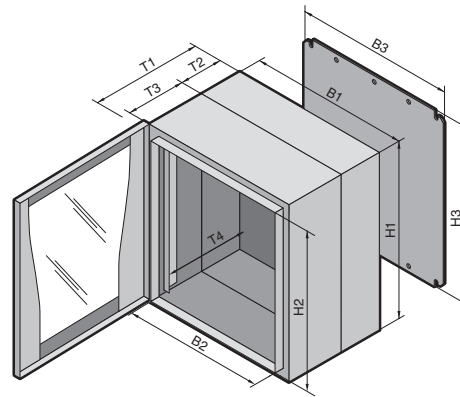


Blanking panels
for individual machining,
see page 1110.



Gland plates
for PG segments for cable
routing with a high protection
category,
see page 1053.

Wall-mounted enclosure, based on Rittal EL, 3-part, with mounting plate, depth 473



Material:

Wall and hinged part:
1.5 mm sheet steel
Mounting plate:
2.5 mm sheet steel, zinc-plated,
passivated
Viewing window:
Toughened safety glass 3 mm

Colour:

Wall and hinged part:
Powder-coated in RAL 7035
Glazed door: RAL 7035/7015
(slate grey)

Protection category:

IP 55 to EN 60 529/09.2000

Supply includes:

Wall section:
With 2 cable gland plates,
1 mounting plate supplied loose,
assembly parts.

Hinged part:
With 2 mounting angles,
482.6 mm (19"), fitted,
assembly parts.

Designer glazed door:
3 – 15 U with mini comfort
handle for lock inserts,
18 – 21 U with comfort handle
and 2-point locking,
including security lock 3524 E.

Available on request:

- Special sizes and colours
- Glazed door with aluminium frame
- Sheet steel door, solid

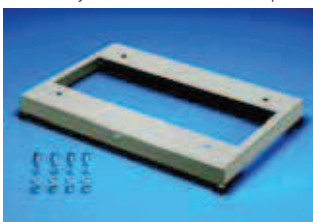
Approvals,
see page 94.

Detailed drawing,
available on the Internet.

U	Packs of	3	6	9	12	15	18	21	Page
Width (B1) mm		600	600	600	600	600	600	600	
Height (H1) mm		212	345	478	612	746	878	1012	
Depth (T1) mm		473	473	473	473	473	473	473	
Clearance width (B2) mm		502	502	502	502	502	502	502	
Clearance height (H2) mm		151	284	417	551	684	817	951	
Depth of wall section (T2) mm		135	135	135	135	135	135	135	
Depth of hinged part (T3) mm		316	316	316	316	316	316	316	
Maximum installation depth (T4) mm		420	420	420	420	420	420	420	
Width of mounting plate (B3) mm		485	485	485	485	485	485	485	
Height of mounting plate (H3) mm		165	299	432	565	699	832	965	
Model No. EL	1	2253.605	2256.605	2259.605	2262.605	2265.605	2268.605¹⁾	2271.605	
Load capacity, hinged part (kg, static)		15	30	45	60	75	75	75	

Accessories										
Wall mounting bracket	10 mm	4	2508.010	2508.010	2508.010	2508.010	2508.010	2508.010	2508.010	975
Wall mounting bracket	40 mm	4	2503.010	2503.010	2503.010	2503.010	2503.010	2503.010	2503.010	975
Lock inserts			see page 956							
Gland plate with brush insert		1	7705.035	7705.035	7705.035	7705.035	7705.035	7705.035	7705.035	1052
Gland plate for metric cable glands		1	7705.235	7705.235	7705.235	7705.235	7705.235	7705.235	7705.235	1052
Base/plinth		1	7505.300	7505.300	7505.300	7505.300	7505.300	7505.300	7505.300	
Cable glands			see page 1054							
Slide rails		10	2250.000	2250.000	2250.000	2250.000	2250.000	2250.000	2250.000	1097
C rails		4	2239.000	2239.000	2239.000	2239.000	2239.000	2239.000	2239.000	1002
Blanking plates		3	see page 1100							

¹⁾ Delivery times available on request.



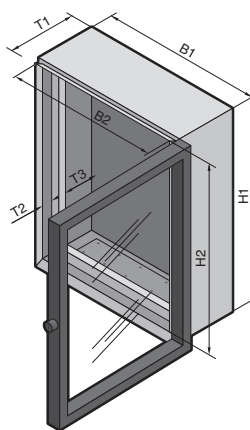
Base/plinth
can be fitted with castors,
see page 904.



The 1 U **component shelf**
can be secured
in the centre section,
see page 1021.

Networking

Wall-mounted enclosure, based on Rittal EL, 2-part, with swing frame, depth 369



Material:

Enclosure: 1.5 mm sheet steel
 Swing frame: Sheet steel
 Front door: Extruded aluminium section, 3 mm acrylic glazing

Supply includes:

Enclosure, front door, fitted swing frame, including assembly parts.

Available on request:

- Special sizes and colours

Approvals,

see page 95.

Detailed drawing,

available on the Internet.

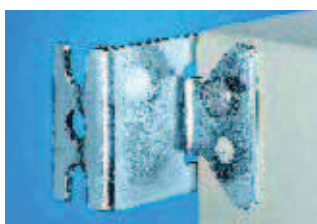
Surface finish:

Enclosure and swing frame: Primed and powder-coated, RAL 7035
 Front door: Dark brown anodised

Protection category:

IP 55 to EN 60 529/09.2000

U	Packs of	6	11	14	Page
Width (B1) mm		600	600	600	
Height (H1) mm		380	600	760	
Depth (T1) mm		369	369	369	
Clearance width (B2) mm		537	537	537	
Clearance height (H2) mm		317	537	697	
Distance from glazed door to swing frame (T2) mm		67 – 97	67 – 97	67 – 97	
Maximum installation depth (T3) mm		270	270	270	
Model No. EL	1	1919.500	1920.500	1926.500	
Accessories					
Wall mounting bracket, 10 mm	4	2508.010	2508.010	2508.010	975
Wall mounting bracket, 40 mm	4	2503.010	2503.010	2503.010	975
Gland plates with hole	5	2563.000	2563.000	2563.000	1048
Blanking plates	3	see page 1100			
Standard swing frame with double-bit lock insert may be exchanged for 27 mm lock inserts, type A, see page 956.					



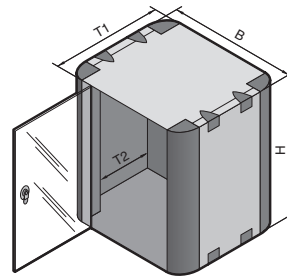
Wall mounting bracket

for mounting the enclosure either 10 mm or 40 mm away from the wall, see page 975.



Combination rails

for securing cables to the T-heads or the C section, see page 1063.



Rittal-Net.com is the passive platform for the fast, future-proof assembly of communications networks in the small office sector.

Three designer enclosures, for population with connection cables, patch cables and distributor panels, are tailored to the specific criteria of the SOHO market. Work groups may be set up quickly and easily.

Material:

1.5 mm sheet steel
Smoked grey acrylic glazing
Corner sections, aluminium
Corner feet made from thermo-plastic foam

Colour:

Enclosure panels: RAL 7035
Corner sections: RAL 7030

Detailed drawing,

available on the Internet.

U	Packs of	4	8	6	Page
Width (B) mm		342	342	342	
Height (H) mm		215	390	490	
Depth (T1) mm		280	280	400	
Max. installation depth (T2) mm		250	250	335	
Model No. DK empty enclosure, individual	1	7870.100	7870.200	7870.300	
Design		42 HP (1½ 19")	42 HP (1½ 19")	84 HP (19")	
Installation position		horizontal	horizontal	vertical	

Accessory kits

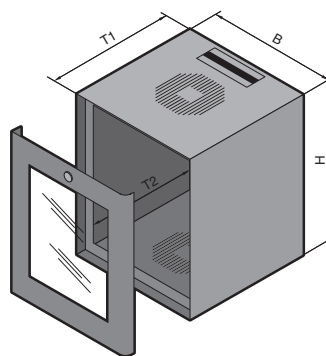
Data distributor, including patch cable

VF Cat 6, 8 ports, STP, LSA, including 8 patch cables with RJ 45 connector on both sides, extruded insulation, cable design in yellow, cable length 0.25 m	1	7870.822 ¹⁾	7870.822 ¹⁾	–	1106
VF Cat 6, 24 ports, STP, LSA, including 12 patch cables with RJ 45 connector on both sides, extruded insulation, cable design in yellow, cable length 0.6 m	1	–	–	7870.830	1106

¹⁾ Delivery times available on request.

Networking

RNC universal enclosure



A compact contemporary design in black, with integral glazed door (tinted safety glass). Central locking with just one lock, the side panels cannot be removed whilst the front door is latched.

Suitable for use both as a stand-alone model and for wall mounting. The plug-in side panels ensure rapid access and plenty of scope when mounting. Optional 1/2 19", 10" or 19" components RNC can be bayed, both horizontally and vertically, using the connector kit (supplied loose).

Passive ventilation via openings in the rear frame, roof and the gland plate. Fan expansion kit, optional (DK 7980.100). Cable entry optionally via the rear panel, roof or base. All frame parts and panels are prepared for earthing.

Material:
Sheet steel, single-pane safety glass

Colour:
Black, similar to RAL 9011

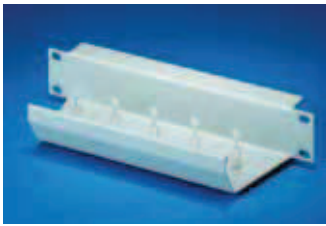
Supply includes:
Enclosure with glazed door, baying kit, brush strip for cable entry, 482.6 mm (19") mounting level at front.

Property rights:
German patents no. 10 210 481 no. 10 210 482

Detailed drawing,
available on the Internet.

	Packs of		Page
U 269.2 mm (1/2 19")		10	
U 482.6 mm (19")		5	
Width (B) mm		350	
Height (H) mm		500	
Depth (T1) mm		350	
Max. installation depth (T2) mm		270	
Model No. DK	1	7870.350	
Accessories			
Socket strip 3-way, without switch	1	7240.110	1038
Socket strip 7-way, without switch, for 482.6 mm (19") level	1	7240.210	1038
Socket strip 7-way, with switch, for 482.6 mm (19") level	1	7240.220	1038
269.2 mm (1/2 19") component shelf, 1 U	1	7502.600	1021
269.2 mm (1/2 19") cable management panel, 1 U	1	7502.610	767
269.2 mm (1/2 19") blanking panel, 1 U	2	7870.720	767
269.2 mm (1/2 19") cable entry panel, 1 U	2	7870.730	767
482.6 mm (19") blanking panel, 1 U	2	7151.035	1110
482.6 mm (19") blanking panel, 2 U	2	7152.035	1110
482.6 mm (19") blanking panel, 3 U	2	7153.035	1110
Combination rail, length 200 mm	6	7502.302	1063
Adaptor for 10" system, 1 U	1	7870.760	767
Adaptor for 10" system, 4 U	1	7870.765	767
Phillips-head screw M5, with plastic washer	100	2099.500	1105
Phillips-head screw M6, with plastic washer	100	2089.000	1105
Captive nuts M5, with contact	50	2094.500	1105
Captive nuts M6, with contact	50	2094.200	1105

Accessories for RNC enclosures



Cable management panel 1U:

42 HP (1/2 19")
for RNC

For horizontal cable routing.

Material:
Sheet steel

Colour:
RAL 7035

U	Model No. DK
1	7502.610

Supply includes:
Tray and 5 shunting rings.



Entry panel 1 U

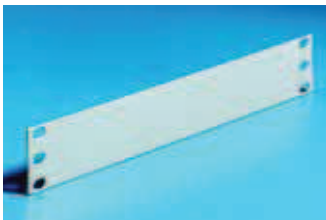
42 HP (1/2 19")
for RNC

For entry of patch cables. Cut-out approximately 227 x 30 mm.

Material:
Sheet steel

Packs of	Model No. DK
2	7870.730

Colour:
RAL 7035



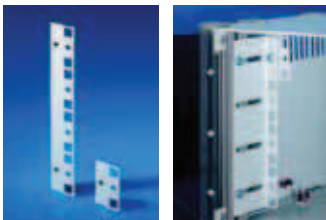
Blanking panel 1 U

42 HP (1/2 19")
for RNC and RiCase
As a blanking cover.

Material:
Sheet steel

Colour:
RAL 7035

Packs of	Model No. DK
2	7870.720



Adaptor

for RNC

To accommodate a maximum of two 10" components in 269.2 mm (1/2 19") enclosures.

Material:
Sheet steel

Colour:
RAL 7035

U	Model No. DK
1	7870.760
4	7870.765



Base/plinth

for RNC

To accommodate a maximum of two 3-way socket strips DK 7240.110 and also as storage space for cables.

Height: 60 mm.

Material:
Sheet steel

Colour:
RAL 7035

Supply includes:
4 levelling feet and 2/4 cable shunting rings.

HP	Width mm	Depth mm	Model No. DK
42	342	280	7870.710 ¹⁾
84	342	400	7870.715 ¹⁾

¹⁾ Delivery times available on request.

Accessories:

Socket strip,
see page 1038.



Angle bracket

for RNC

With space for optimum cable routing behind the RNC.

Material:
Sheet steel

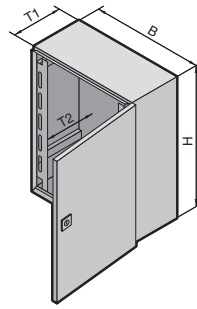
Colour:
RAL 7035

HP	Width mm	Depth mm	Packs of	Model No. DK
42	342	280	2	7870.701
84	342	400	2	7870.706

Supply includes:
Assembly parts

Networking

Wall-mounted enclosure, based on Rittal AE



Wall-mounted distributor with infinitely depth-variable 482.6 mm (19") mounting level at the front. The ideal solution for small networks or corridor distributors.
Max. achievable protection category of up to IP 55 (to EN 60 529/09.2000) by replacing the cable entry brush with a gland plate.

Material:
Sheet steel

Surface finish:
Enclosure: Powder-coated, RAL 7035

Supply includes:
1 wall-mounted distributor enclosure with sheet steel door, cam lock and double-bit insert. Brush strip for cable entry at the bottom,
2 mounting angles, 482.6 mm (19"), depth-adjustable,
1 C rail for cable routing,
1 metal bracket for optional accommodation of an earth rail or 482.6 mm (19") socket strip.

Available on request:

- Fully modified wall-mounted distributors
- Special designs

Approvals,
see page 95.

Detailed drawing,
available on the Internet.

U	Packs of	8	13	16	Page
Width (B) mm		600	600	600	
Height (H) mm		380	600	760	
Depth (T1) mm		350	350	350	
Max. installation depth (T2) mm		310	310	310	
Model No. DK	1	7641.000	7643.000	7645.000	
Accessories					
Gland plates in various designs	Size	5	5	5	1048 – 1053
	Qty.	1	1	1	
Wall mounting bracket, 10 mm	4	2508.010	2508.010	2508.010	975
Wall mounting bracket, 40 mm	4	2503.010	2503.010	2503.010	975
Glazed door, 34 mm profile depth	1	2730.000	2731.000	2732.000	944
Glazed door, 60 mm profile depth	1	2760.000	2761.000	2762.000	944
Component shelf 2 U, static installation, 250 mm	1	7119.250	7119.250	7119.250	1021
Earth rail	1	7113.000	7113.000	7113.000	1036
Lock systems					
Plastic handle, version B, see page 954.					
Standard double-bit lock insert may be exchanged for 27 mm lock inserts, version A, see page 956.					

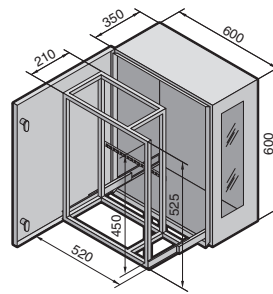


Earth rail
for attaching to the rear bracket, see page 1036.



High protection category
by exchanging the brush strip for metal gland plates, see page 1049.

Wall-mounted enclosure, based on Rittal AE, with pull-out frame



Wall-mounted distributor with 482.6 mm (19") pull-out frame. Side and front installation with 482.6 mm (19") components in a vertical mounting position. Horizontal installation also optionally supported at the front. Status monitoring via side viewing window. Pull-out frame may be removed for population via snap fastenings. Passive cooling via pre-configured outlet filter, may be upgraded to active. Optional accommodation of earth rail DK 7113.000 in a vertical position on the pull-out frame.

Material:
Sheet steel

Surface finish:
Enclosure: Powder-coated, RAL 7035
Pull-out frame zinc-plated, passivated

Supply includes:
1 wall-mounted distributor enclosure with sheet steel door, cam locks and double-bit insert. Pull-out frame attached to telescopic slides. Outlet filter in enclosure base and on left-hand side. Viewing window on right-hand side. Combination rail for cable clamping behind the cable entry. Additional cable clamp rail for mounting on the pull-out frame.

Protection category:
IP 43 to EN 60 529/09.2000

Available on request:

- Fully modified wall-mounted distributors
- Special designs

Detailed drawing, available on the Internet.

Width mm	Packs of	600	Page
Height mm		600	
Depth mm		350	
Model No. DK	1	7644.000	
Side 482.6 mm (19") level, vertical		4 U	
Front 482.6 mm (19") level, vertical and horizontal		10 U	

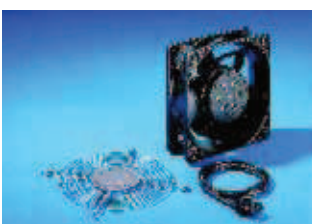
Accessories			
	Size		
Gland plates in various designs	Qty.	5	1048 – 1053
Wall mounting bracket, 10 mm	4	2508.010	975
Wall mounting bracket, 40 mm	4	2503.010	975
Shelf	1	7644.400 ¹⁾	1022
Component shelf, 1 U	1	7119.140	1021
Earth rail, horizontal	1	7113.000	1036
Fan expansion kit 230 V AC (only for use at the bottom)	1 set	7980.100	703
Fan expansion kit 48 V DC (only for use at the bottom)	1 set	7980.148	703

Lock systems

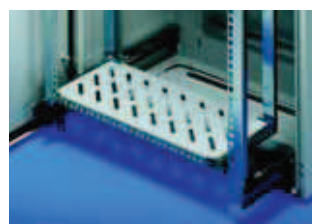
Plastic handle, version B, see page 954.

Standard double-bit lock insert may be exchanged for 27 mm lock inserts, version A, see page 956.

¹⁾ Delivery times available on request.



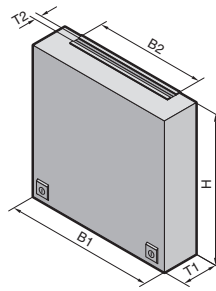
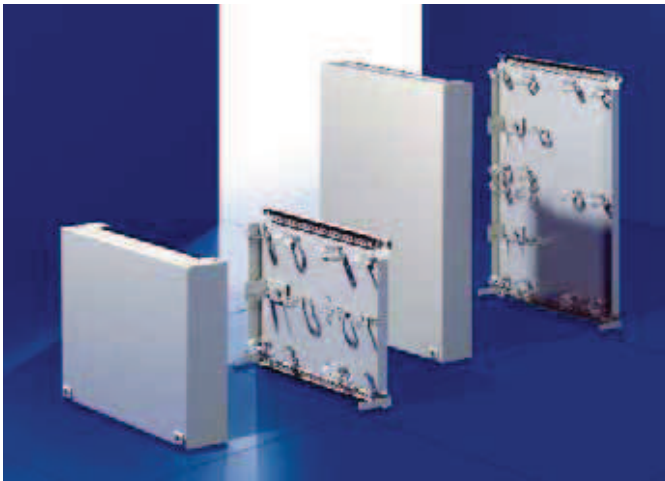
Active ventilation with the fan expansion kit in 230 V AC or 48 V DC versions, see page 703.



Shelf support surface for small equipment, see page 1022.

Networking

Small fibre-optic distributors



Material:

Sheet steel, 1.5 mm

Surface finish:

Enclosure: Powder-coated, RAL 7035

Supply includes:

1 enclosure, two-part, to accommodate a maximum of 48 or 96 optical fibres, 1 wall section: With mounting holes for wall mounting,

11 or 16 shunting rings:

For patching cables/fibre stock, 1 or 2 splicing cassette holders: To accommodate a maximum of 8 or 16 splicing cassettes, 2 comb strips:

For cable clamping, and brush inserts to provide protection against dust,

1 cover: With suspension device and two cam locks.

Note:

When the small fibre-optic distributor is used without a patch panel, 1 or 2 splicing cassette holders may be retrofitted (maximum splicing cassette accommodation 16/32).

Available on request:

- Special designs

Property rights:

German patent no. 44 10 795

Detailed drawing,

available on the Internet.

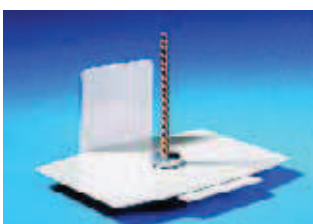
Width (B1) mm	Packs of	500	500	Page
Height (H) mm		500	900	
Depth (T1) mm		120	120	
Width of cable entry (B2) mm		395	395	
Depth of cable entry (T2) mm		29	29	
Model No. DK	1	7452.035	7453.035	
Number of fibres (when using patch panels)		1 – 48	1 – 96	

Accessories				
		Maximum population 2 patch panels	Maximum population 4 patch panels	
Patch panels with 12/24 locations for fibre-optic couplings				
F-SMA 6.5 mm, 24 locations	2	7456.035¹⁾	7456.035¹⁾	–
F-SMA 7.5 mm, 24 locations	2	7457.035¹⁾	7457.035¹⁾	–
ST, 24 locations	2	7458.035	7458.035	–
DIN 47 256, 24 locations	2	7459.035¹⁾	7459.035¹⁾	–
SC, E-2000, E-2000 duplex, 24/12 locations	2	7460.035¹⁾	7460.035¹⁾	–
SC duplex, 12 locations	2	7460.135¹⁾	7460.135¹⁾	–
Splicing cassette holder for retrofitting	1	7450.035	7450.035	1111

Lock systems				
T handle without lock insert	1	2572.000	2572.000	955
T handle with lock insert no. 3524 E	1	2575.000	2575.000	955
Plastic handle with lock no. Nr. 3524 E	1	2576.000	2576.000	954
Plastic handle	1	2533.000	2533.000	954

Standard double-bit lock insert may be exchanged for 27 mm lock inserts, version A, see page 956.

¹⁾ Delivery times available on request.



Splicing cassette holder

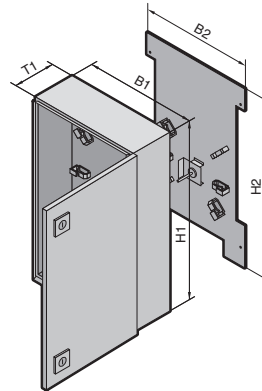
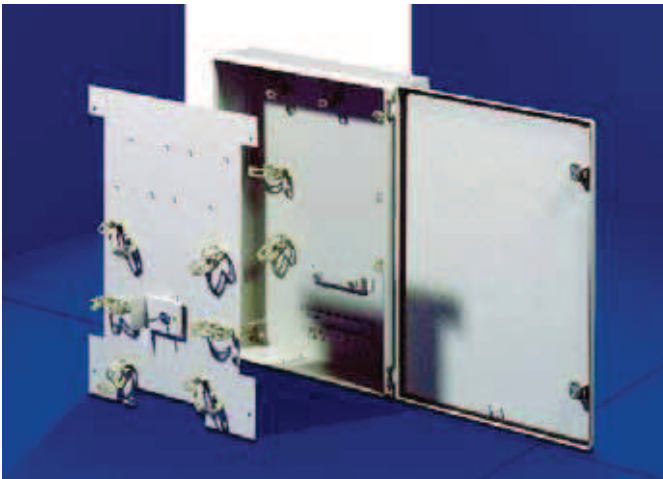
incl. cassette cover, see page 1111.



Blanking cover

for unused cut-outs in patch panels, see page 1112.

Small fibre-optic distributors, based on Rittal AE



Layout of the small fibre-optic distributor:

Basic enclosure:
With cable shunting rings to accommodate the fibre stock and a strain relief system for incoming and outgoing cables.

Mounting plate:
With accommodation for 4 splicing cassettes and 4 patch panels.

Patch panels:
There are 4 patch panels available with varying cut-outs.

Other special versions available on request.

Material:
Sheet steel

Surface finish:
Enclosure: Powder-coated, RAL 7035

Protection category:
IP 55 (to EN 60 529/09.2000) when using suitable cable gland plates.

Supply includes:

- 1 enclosure of sheet steel with 2 gland plates of sheet steel, sides,
- 1 gland plate, bottom,
- 7 cable shunting rings 70 x 44 mm,
- 2 strain relief clips,
- 1 cable clamp rail, double,
- 1 door of sheet steel, with double-bit locks, with 2 hinges on the right,
- 1 mounting plate of sheet steel with 6 shunting rings 70 x 44 mm,
- 4 recesses for patch panels,
- 1 splicing cassette holder.

Detailed drawing, available on the Internet.

Width (B1) mm	Packs of	400	Page
Height (H1) mm		500	
Depth (T1) mm		155	
Mounting plate width (B2) mm		355	
Mounting plate height (H2) mm		455	
Model No. DK	1	7454.000	
Number of fibres (when using patch panels)		1 – 48	

Accessories			
Patch panel, maximum population with 4 patch panels	Locations		
Patch panel for ST couplings	12	2	7462.000
Patch panel for SC, E-2000, E-2000 duplex couplings	12/6	2	7463.100
Patch panel for SC duplex couplings	6	2	7463.200
Cable gland with 2 half-shells, cable diameter from 8 – 36 mm, for mounting at the bottom, reduced protection category		1	2400.000
Plastic cable gland plates, PG size 13.5, for side mounting		5	1581.000
Plastic cable gland plates, PG size 13.5/16/21, for side mounting		5	1582.000
Wall mounting bracket, 40 mm		4	2503.010
Wall mounting bracket, 10 mm		4	2508.010
Lock systems			
Plastic handle		1	2533.000
Plastic handle with lock cylinder insert		1	2576.000
Lock cylinder insert no. 3524 E		1	2571.000

Standard double-bit lock insert may be exchanged for 27 mm lock inserts, version A, see page 956.



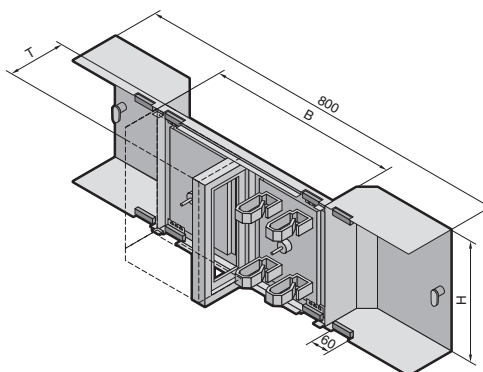
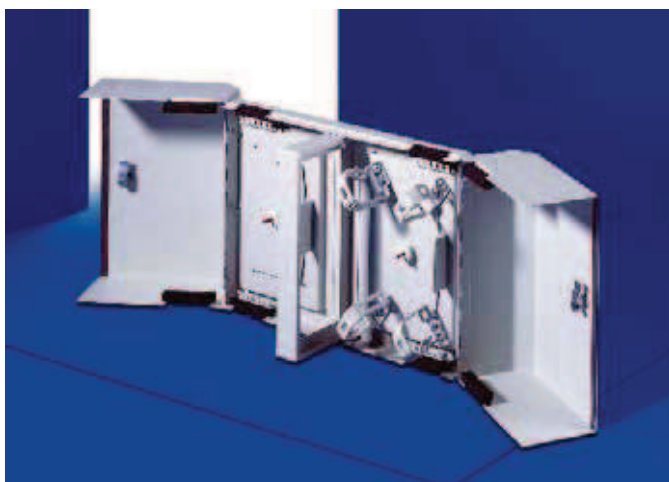
Connector gland for pre-assembled cables, see page 1057.



Plastic handle with a lock cylinder, see page 954.

Networking

Fibre-optic marshalling enclosure



Patch panels are easily fastened within the aperture. A door is provided to cover and lock the splicing cassette accommodation. A second door covers and locks the secondary chamber/ splicing cassette accommodation. Both doors are provided with different locks.

Material:
Sheet steel, 1.0 mm

Colour:
RAL 7035

Surface finish:
Enclosure: Powder-coated,
RAL 7035

Supply includes:

- 1 enclosure to accommodate a maximum of 24 optical fibres, wall section with mounting holes for wall mounting,
- 2 doors with different locks, for separate access,
- 4 shunting rings, 70 x 44 mm,
- 2 splicing cassette holders each for 2 splicing cassettes,
- 4 rubber seals for cable entry,
- 4 comb strips for cable clamping.

Note:

If the marshalling enclosure is used without patch panels, 4 splicing cassettes, 2 per side, may be integrated.

Property rights:

German patent no. 195 47 135
European patent no. 0 867 058 with validity for NL
European patent no. 0 867 059 with validity for DE, FR, GB, IT

Available on request:

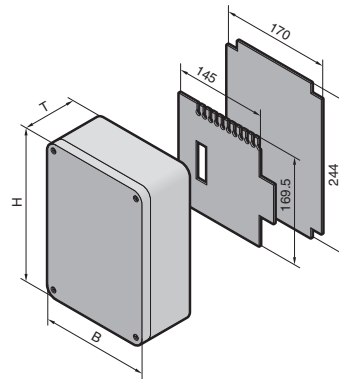
- Other variants

Detailed drawing, available on the Internet.

Width (B) mm	Packs of	400
Height (H) mm		250
Depth (T) mm		120
Model No. DK	1	7247.000
Number of fibres (when using patch panels)		1 – 24
Accessories		
Patch panel for 24 ST couplings	1	7247.010
Patch panel for 24 SC, E-2000 couplings ¹⁾	1	7247.020
Patch panel for 12 SC duplex couplings	1	7247.030

¹⁾ 12 E-2000 duplex couplings may be accommodated.

Small fibre-optic distributor, polycarbonate



Configuration Small fibre-optic distributor:

Mounting plate:
With accommodation for one or two splicing cassettes, the width of the cassettes may vary from 92 to 120 mm.

Dividing plate:
Covers the splicing cassettes and separates them from the patch cables. Aperture for patch panels and a cable clamp are also integrated.

Patch panels:
F-SMA, E-2000-ST couplings, E-2000 duplex and SC and SC duplex couplings are available. Other special variants available on request.

Cable entry:
For cable entry, there are pre-punchings for PG cable glands integrated into the small fibre-optic distributor.
The cable glands (12 x PG 7 and 1 x PG 16) are included with the supply. Pre-assembled connectors will also fit through the knockout apertures (for diameters, see below). Depending on diameter, the cable can either be held in the knockouts by a 2-part cable entry gland or cable entry sleeves. The two-part cable entry and the grommets are not included with the supply, due to the different cable diameters.
Diameter of the prepunched knockouts:
12 x 12.5 mm
2 x 22.5 mm

Material:
Enclosure and cover: Fibreglass-reinforced polycarbonate
Cover screws: Polyamide
Colour:
RAL 7035
Protection category:
IP 66 to EN 60 529/09.2000.

Supply includes:
1 enclosure and lid of fibre-glass-reinforced polycarbonate to accommodate splicing cassettes and patch panels, 1 enclosure lid with 2 hinges, knockouts for PG glands are integrated into the enclosure, 12 x cable glands PG 7, 1 x cable gland PG 16, 1 mounting plate with variable accommodation of 2 splicing cassettes and integral anti-twist guard, 1 dividing plate to cover the splicing cassette, accommodation for 2 patch panels and comb strip for cable clamping, 2 lid screws of polyamide with option of preparing for a lead seal, polyamide insulating bungs for wall mounting screws. All-round foamed-in PU seal.
Detailed drawing,
available on the Internet.

Width (B) mm	Packs of	180
Height (H) mm		254
Depth (T) mm		90
Model No. DK	1	7451.000
Number of fibres (when using patch panels)		1 – 24

Accessories				
	Locations per patch panel	Locations per enclosure		
Patch panel for 7.5 mm F-SMA couplings	12	24	2	7461.000
Patch panel for ST couplings	12	24	2	7462.000
Patch panel for SC, E-2000, E-2000 duplex couplings	12/6	24/12	2	7463.100
Patch panel for SC duplex couplings	6	12	2	7463.200
Wall mounting brackets			40	9583.000



Wall mounting brackets
Attach securely to the enclosure simply by clipping in.